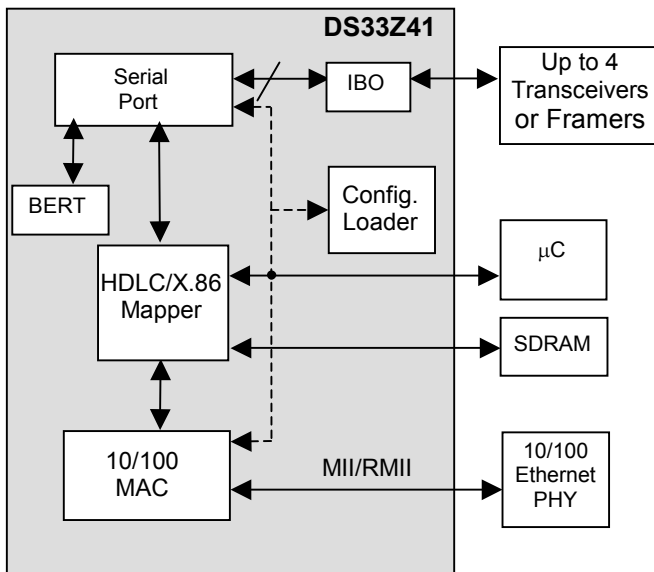


## GENERAL DESCRIPTION

The **DS33Z41** extends a 10/100 Ethernet LAN segment by encapsulating MAC frames in HDLC or X.86 (LAPS) for transmission over up to four interleaved PDH/TDM data streams using robust, balanced, and programmable inverse multiplexing. The Interleave Bus (IBO) serial link supports seamless bi-directional interconnection with Dallas Semiconductor's T1/E1 framers and transceivers.

The device performs store-and-forward of packets with full wire-speed transport capability. The built-in Committed Information Rate (CIR) Controller provides fractional bandwidth allocation up to the line rate in increments of 512Kbps.

## FUNCTIONAL DIAGRAM



## FEATURES

- 10/100 IEEE 802.3 Ethernet MAC (MII and RMII) half/full duplex, with automatic flow control
- Layer-1 Inverse Multiplexing allows bonding of up to 4 T1/E1/J1 or DSL links
- Supports up to 7.75ms differential delay
- Channel (Byte) Interleaved Bus Operation
- In-Band OAM and Signaling Capability
- HDLC/LAPS Encapsulation with Programmable FCS, Interframe Fill.
- Committed Information Rate Controller provides fractional allocation in 512Kbps increments.
- Programmable BERT for the Serial Interface.
- External 16MB, 100MHz SDRAM Buffering
- Parallel Microprocessor Interface.
- 1.8V operation with 3.3V tolerant I/O
- IEEE 1149.1 JTAG Support

Features continued on page 7

## APPLICATIONS

- Bonded Transparent LAN Service
- LAN Extension
- Ethernet Delivery over T1/E1/J1, T3/E3, OC-1/EC-1, G.SHDSL, or HDSL2/4.

## ORDERING INFORMATION

PART	TEMP RANGE	PIN-PACKAGE
DS33Z41	-40°C to +85°C	169 pin CSBGA

**Note:** Some revisions of this device may incorporate deviations from published specifications known as errata. Multiple revisions of any device may be simultaneously available through various sales channels. For information about device errata, click here: [www.maxim-ic.com/errata](http://www.maxim-ic.com/errata).

## TABLE OF CONTENTS

1	DESCRIPTION .....	6
2	FEATURE HIGHLIGHTS .....	7
2.1	General .....	7
2.2	Link Aggregation (Inverse Multiplexing).....	7
2.3	HDLC .....	7
2.4	Committed Information Rate (CIR) Controller.....	7
2.5	X.86 Support .....	7
2.6	SDRAM Interface .....	8
2.7	MAC Interface .....	8
2.8	Microprocessor Interface .....	8
2.9	Test and Diagnostics .....	8
2.10	Specifications compliance.....	9
3	APPLICATIONS .....	10
4	ACRONYMS & GLOSSARY .....	11
5	MAJOR OPERATING MODES .....	12
6	BLOCK DIAGRAMS.....	12
7	PIN DESCRIPTIONS .....	13
7.1	Pin Functional Description .....	13
8	FUNCTIONAL DESCRIPTION .....	22
8.1	PROCESSOR INTERFACE.....	23
8.1.1	Read-Write / Data Strobe Modes.....	23
8.1.2	Clear on Read.....	23
8.1.3	Interrupt and Pin Modes.....	23
8.2	CLOCK STRUCTURE .....	24
8.2.1	Serial Interface Clock Modes.....	26
8.2.2	Ethernet Interface Clock Modes .....	26
8.3	RESETS AND LOW POWER MODES .....	27
8.4	INITIALIZATION AND CONFIGURATION.....	28
8.5	GLOBAL RESOURCES.....	28
8.6	PER-PORT RESOURCES.....	28
8.7	DEVICE INTERRUPTS.....	29
8.8	SERIAL INTERFACE .....	31
8.9	Link Aggregation (IMUX).....	31
8.9.1	Microprocessor Requirements .....	33
8.9.2	IMUX Command Protocol .....	34
8.9.3	Out of Frame (OOF) Monitoring.....	36
8.9.4	Data Transfer .....	36
8.10	CONNECTIONS AND QUEUES.....	37
8.11	ARBITER.....	38
8.12	FLOW CONTROL .....	39
8.12.1	Full Duplex Flow control.....	39
8.12.2	Half Duplex Flow control .....	40
8.12.3	Host-Managed Flow control.....	41
8.13	ETHERNET INTERFACE PORT .....	42
8.13.1	DTE and DCE Mode .....	44
8.14	ETHERNET MAC.....	45
8.14.1	MII Mode .....	47
8.14.2	RMII Mode .....	47
8.14.3	PHY MII Management Block and MDIO Interface .....	48
8.15	BERT.....	49
8.15.1	Receive Data Interface .....	49
8.15.2	Repetitive Pattern Synchronization.....	50
8.15.3	Pattern Monitoring.....	51
8.15.4	Pattern Generation.....	51
8.16	TRANSMIT PACKET PROCESSOR .....	53

8.17	RECEIVE PACKET PROCESSOR.....	54
8.18	X.86 ENCODING AND DECODING .....	56
8.19	COMMITTED INFORMATION RATE CONTROLLER.....	59
9	DEVICE REGISTERS.....	61
9.1	Register Bit Maps.....	62
9.1.1	Global Register Bit Map .....	62
9.1.2	Arbiter Register Bit Map.....	63
9.1.3	BERT Register Bit Map.....	63
9.1.4	Serial Interface Register Bit Map .....	64
	Ethernet Interface Register Bit Map.....	66
9.1.5	MAC Register Bit Map .....	67
9.2	Global Register Definitions .....	69
9.3	Arbiter Registers .....	80
9.3.1	Arbiter Register Bit Descriptions .....	80
9.4	BERT Registers .....	81
9.5	Serial Interface Registers.....	88
9.5.1	Serial Interface Transmit and Common Registers.....	88
9.5.2	Serial Interface Transmit Register Bit Descriptions .....	88
9.5.3	Transmit HDLC Processor Registers.....	89
9.5.4	X.86 Registers .....	96
9.5.5	Receive Serial Interface.....	98
9.6	Ethernet Interface Registers .....	111
9.6.1	Ethernet Interface Register Bit Descriptions.....	111
9.6.2	MAC Registers.....	123
10	FUNCTIONAL TIMING .....	139
10.1	MII and RMI Interfaces.....	139
11	OPERATING PARAMETERS.....	141
11.1	THERMAL CHARACTERISTICS.....	142
11.2	MII Interface .....	143
11.3	RMI Interface.....	145
11.4	MDIO Interface.....	147
11.5	Transmit WAN Interface.....	148
11.6	Receive WAN Interface.....	149
11.7	SDRAM Timing .....	150
11.8	Microprocessor Bus AC Characteristics .....	154
11.9	JTAG Interface Timing.....	157
12	JTAG INFORMATION.....	158
12.1	JTAG TAP Controller State Machine Description.....	158
12.2	Instruction Register .....	161
12.2.1	SAMPLE:PRELOAD .....	162
12.2.2	BYPASS.....	162
12.2.3	EXTEST .....	162
12.2.4	CLAMP .....	162
12.2.5	HIGHZ.....	162
12.2.6	IDCODE .....	162
12.3	JTAG ID Codes.....	163
12.4	Test Registers.....	163
12.5	Boundary Scan Register.....	163
12.6	Bypass Register.....	163
12.7	Identification Register .....	163
12.8	JTAG Functional Timing .....	164
13	PACKAGE INFORMATION .....	165
13.1	Package Outline Drawing of 14mm 169 Ball CSBGA (view from bottom of device)....	165

## TABLE OF FIGURES

Figure 3-1 Quad T1/E1 SCT to DS33Z41 .....	10
Figure 6-1 Detailed Block Diagram.....	12
Figure 7-1 DS33Z41 256 Ball CSBGA Pinout .....	21
Figure 8-1 Clocking for the DS33Z41 .....	25
Figure 8-2 Device Interrupt Information Flow Diagram .....	30
Figure 8-3 Imux Interface to T1/E1 Transceivers .....	32
Figure 8-4 Diagram of Data Transmission with IMUX Operation .....	32
Figure 8-5 Command Structure for IMUX Function.....	34
Figure 8-6 Flow control using Pause Control Frame .....	40
Figure 8-7 IEEE 802.3 Ethernet Frame.....	42
Figure 8-8 Configured as DTE connected to an Ethernet PHY in MII Mode.....	44
Figure 8-9 DS33Z41 Configured as a DCE in MII Mode.....	45
Figure 8-10 RMII Interface.....	47
Figure 8-11 MII Management Frame.....	48
Figure 8-12 PRBS Synchronization State Diagram.....	50
Figure 8-13 Repetitive Pattern Synchronization State Diagram.....	51
Figure 8-14 LAPS Encoding of MAC Frames Concept .....	56
Figure 8-15 X.86 Encapsulation of the MAC field .....	57
Figure 8-16 CIR in the WAN Transmit Path .....	60
Figure 10-1 MII Transmit Functional Timing.....	139
Figure 10-2 MII Transmit Half Duplex with a Collision Functional Timing.....	139
Figure 10-3 MII Receive Functional Timing.....	140
Figure 10-4 RMII Transmit Interface Functional Timing .....	140
Figure 10-5 RMII Receive Interface Functional Timing .....	140
Figure 11-1 Transmit MII Interface .....	143
Figure 11-2 Receive MII Interface Timing .....	144
Figure 11-3 Transmit RMII Interface.....	145
Figure 11-4 Receive RMII Interface Timing.....	146
Figure 11-5 MDIO Timing .....	147
Figure 11-6 Transmit WAN Timing .....	148
Figure 11-7 Receive WAN timing .....	149
Figure 11-8 SDRAM Interface Timing .....	151
Figure 11-9. Receive IBO Channel Interleave Mode Timing.....	152
Figure 11-10. Transmit IBO Channel Interleave Mode Timing.....	153
Figure 11-11. Intel Bus Read Timing (MODEC = 00).....	155
Figure 11-12. Intel Bus Write Timing (MODEC = 00).....	155
Figure 11-13. Motorola Bus Read Timing (MODEC = 01) .....	156
Figure 11-14. Motorola Bus Write Timing (MODEC = 01).....	156
Figure 11-15. JTAG Interface Timing Diagram .....	157
Figure 12-1: JTAG Functional Block Diagram.....	158
Figure 12-2: Tap Controller State Diagram .....	161
Figure 12-3 JTAG Functional Timing.....	164

**LIST OF TABLES**

Table 2-1 T1 Related Telecommunications Specifications	9
Table 7-1 Detailed Pin Descriptions	13
Table 8-1 Clock Selection for the Ethernet (LAN) Interface	24
Table 8-2 Reset Functions	27
Table 8-3 Commands sent and received on the IMUX links	34
Table 8-4 Command and status for the IMUX for Processor Communication	35
Table 8-5 Registers related to Connections and Queues	38
Table 8-6 Options for flow control	39
Table 8-7 Registers related to the Ethernet Port	43
Table 8-8 MAC Control Registers	45
Table 8-9 MAC Status Registers	46
Table 9-1 Register Address Map	61
Table 9-2 Global Register Bit Map	62
Table 9-3 Arbiter Register Bit Map	63
Table 9-4 BERT Register Bit Map	63
Table 9-5 Serial Interface Register Bit Map	64
Table 9-6 Ethernet Interface Register Bit Map	66
Table 9-7 MAC Indirect Register Bit Map	67
Table 11-1 Recommended DC Operating Conditions	141
Table 11-2 DC Electrical Characteristics	141
Table 11-3 SDRAM Interface Timing	150
Table 12-1 Instruction Codes for IEEE 1149.1 Architecture	162
Table 12-2 ID Code Structure	163

## 1 DESCRIPTION

The DS33Z41 provides interconnection and mapping functionality between Ethernet Packet Systems and WAN Time-Division Multiplexed (TDM) systems such as T1/E1/J1, HDSL, and T3/E3. The device is composed of a 10/100 Ethernet MAC, Packet Arbiter, Committed Information Rate controller (CIR), HDLC/X.86 (LAPS) Mapper, SDRAM interface, control ports, and Bit Error Rate Tester (BERT). The packet interface consists of an Ethernet interface using several physical layer protocols. The Ethernet interface can be configured for 10 Mbit/s or 100 Mbit/s service. The DS33Z41 encapsulates Ethernet traffic with HDLC or X.86 (LAPS) to be transmitted over the WAN interface. The WAN interface also receives encapsulated Ethernet packets and transmits the extracted packets over the Ethernet port. The WAN physical interface is based on the Dallas Semiconductor Interleaved Bus Operation (IBO), running at 8.192Mbit/s. The IBO interface can be configured to allow up to 4 bonded T1 or E1 data streams. The IBO interface provides for seamless connection to the Dallas Semiconductor/Maxim multi-port T1/E1/J1 Framers and Single-Chip Transceivers (SCT's). See application note #3411 "DS33Z11 - Ethernet LAN to Unframed T1/E1 WAN Bridge" for an example of a complete LAN to WAN solution.

The DS33Z41 is controlled through an 8-bit Micro controller port. The DS33Z41 has a 100MHz SDRAM controller and interfaces to a 32-bit wide 128 Mbit SDRAM. The SDRAM is used to buffer the data from the Ethernet and WAN ports for transport. The external SDRAM can accommodate up to 8192 frames with a maximum frame size of 2016 bytes. The DS33Z41 operates with a 1.8 volt core supply and 3.3 volt I/O supply.

## 2 FEATURE HIGHLIGHTS

### 2.1 General

- 169 pin, 14mm x 14mm CSBGA Package
- 1.8V supply with 3.3V tolerant inputs and outputs
- IEEE 1149.1 JTAG boundary scan
- Software access to device ID and silicon revision
- Development support includes evaluation kit, driver source code, and reference designs

### 2.2 Link Aggregation (Inverse Multiplexing)

- Link aggregation for up to 4 T1/E1 Links
- 8.192 Mbit/s IBO interface to Dallas Semiconductor Framers/Transceivers
- Differential delay compensation up to 7.75 msec for the 4 T1/E1 links
- Handshaking protocol between local and distant end for establishment of aggregation

### 2.3 HDLC

- HDLC controller engine
- Compatible with polled or interrupt driven environments
- Programmable FCS insertion and extraction
- Programmable FCS type
- Supports FCS error insertion
- Programmable packet size limits (Minimum 64 bytes and maximum 2016 bytes)
- Supports bit stuffing/destuffing
- Selectable packet scrambling/descrambling ( $X^{43}+1$ )
- Separate FCS errored packet and aborted packet counts
- Programmable inter-frame fill for transmit HDLC

### 2.4 Committed Information Rate (CIR) Controller

- CIR controller limits transmission of data from the Ethernet Interface to the Serial Interface.
- CIR granularity at 512 Kbit/s
- CIR Averaging for smoothing traffic peaks

### 2.5 X.86 Support

- Programmable X.86 address/control fields for transmit and receive
- Programmable 2-byte protocol (SAPI) field for transmit and receive
- 32 bit FCS
- Transmit Transparency processing - 7E is replaced by 7D, 5E
- Transmit Transparency processing - 7D replaced by 7D, 5D
- Receive rate adaptation (7D, DD) is deleted.
- Receive Transparency processing - 7D, 5E is replaced by 7E
- Receive Transparency processing - 7D, 5D is replaced by 7D
- Receive Abort Sequence the LAPS packet is dropped if 7D7E is detect
- Self-synchronizing  $X^{43}+1$  payload scrambling.
- Frame indication due to bad Address/Control/SAPI, FCS error, abort sequence or frame size longer than preset max.

## 2.6 SDRAM Interface

- Interface for 128 Mbit, 32 bit wide SDRAM
- SDRAM Interface speed up to 100 MHz
- Auto Refresh Timing
- Automatic Precharge
- Master clock provided to the SDRAM
- No external components required for SDRAM connectivity

## 2.7 MAC Interface

- MAC port with standard MII (less TX\_ER) or RMII
- 10Mbps and 100 Mbps Data rates
- Configurable DTE or DCE modes
- Facilitates auto-negotiation by host microprocessor
- Programmable half and full-duplex modes
- Flow control for both half-duplex (back-pressure) and full-duplex (PAUSE) modes
- Programmable Maximum MAC frame size up to 2016 bytes
- Minimum MAC frame size: 64 bytes
- Discards frames greater than Programmed Maximum MAC frame size and Runt, non-octet bounded, or bad-FCS frames upon reception
- Programmable threshold for SDRAM queues to initiate flow control and status indication
- MAC Loopback support for Transmit data looped to Receive Data at the MII/RMII interface

## 2.8 Microprocessor Interface

- 8 bit data bus
- Non-multiplexed Intel and Motorola Timing Modes
- Internal software reset and External Hardware reset input pin
- Global interrupt output pin

## 2.9 Test and Diagnostics

- IEEE 1149.1 Support
- Programmable on-chip Bit Error Rate Tester (BERT)
- Patterns include Pseudorandom QRSS, Daly, and user-defined repetitive patterns
- Loopbacks (remote, local, analog, and per-channel loopback)



## 2.10 Specifications compliance

The DS33Z41 meets relevant telecommunications specifications. The following table provides the specifications and relevant sections that are applicable to the DS33Z41.

**Table 2-1 T1 Related Telecommunications Specifications**

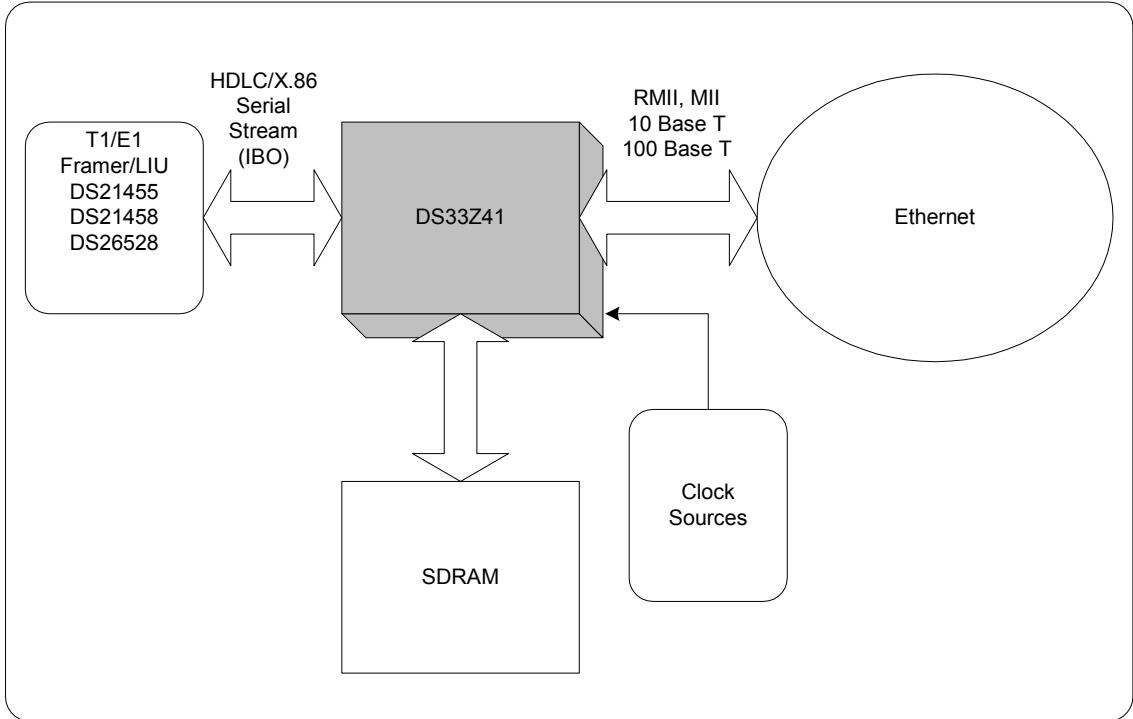
IEEE 802.3-2002 - CSMA/CD access method and physical layer specifications.
RFC1662 - PPP in HDLC-like Framing
RFC2615 - PPP over SONET/SDH
X.86 - Ethernet over LAPS
RMII - Industry Implementation Agreement for "Reduced MII Interface", Sept 1997

### 3 APPLICATIONS

- Bonded Transparent LAN Service
- LAN Extension
- Ethernet Delivery over T1/E1/J1

Also see application note #3411 “DS33Z11 - Ethernet LAN to Unframed T1/E1 WAN Bridge” for an example of a complete LAN to WAN design.

Figure 3-1 Quad T1/E1 SCT to DS33Z41



### 4 ACRONYMS & GLOSSARY

- BERT - Bit Error Rate Tester
- DCE - Data Communication Interface
- DTE- Data Terminating Interface
- FCS - Frame Check Sequence
- HDLC - High Level Data Link Control
- MAC - Media Access Control
- MII - Media Independent Interface
- RMII - Reduced Media Independent Interface
- WAN - Wide Area Network

**Note:** Previous versions of this document used the term “Subscriber” to refer to the Ethernet Interface function. The register names have been allowed to remain with a “SU.” prefix to avoid register renaming.

**Note:** Previous versions of this document used the term “Line” to refer to the Serial Interface. The register names have been allowed to remain with a “LI.” prefix to avoid register renaming.

**Note:** The terms “Transmit Queue” and “Receive Queue” are with respect to the Ethernet Interface. The Receive Queue is the queue for the data that arrives on the MII/RMII interface, is processed by the MAC and stored in the SDRAM. Transmit queue is for data that arrives from the Serial port, is processed by the HDLC and stored in the SDRAM to be sent to the MAC transmitter.

**Note:** This data sheet assumes a particular nomenclature of the T1 and E1 operating environment. In each 125µs T1 frame, there are 24 8-bit channels plus a framing bit. It is assumed that the framing bit is sent first followed by channel 1.

### TIME SLOT NUMBERING SCHEMES

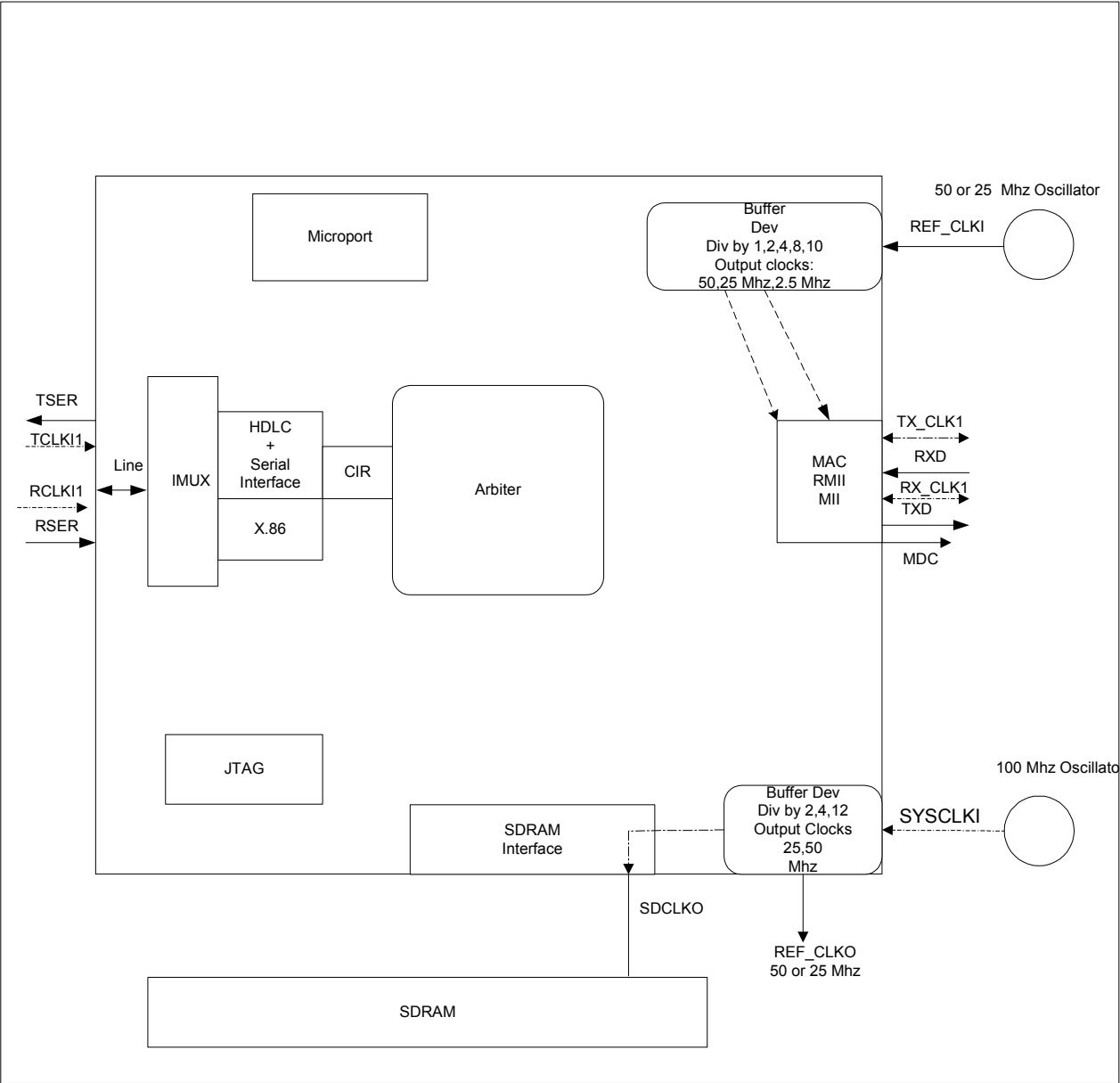
<b>Time Slot</b>	0	1	2	3	4	5	6	7	8	9	10	11	12	13	14	15	16	17	18	19	20	21	22	23	24	25	26	27	28	29	30	31
<b>Channel</b>	1	2	3	4	5	6	7	8	9	10	11	12	13	14	15	16	17	18	19	20	21	22	23	24	25	26	27	28	29	30	31	32
<b>Phone Channel</b>		1	2	3	4	5	6	7	8	9	10	11	12	13	14	15		16	17	18	19	20	21	22	23	24	25	26	27	28	29	30

### 5 MAJOR OPERATING MODES

Operation of the DS33Z41 operation requires a host microprocessor for initialization and maintenance of the link aggregation functions. Microprocessor control is possible through the 8-bit parallel control port. More information on microprocessor control is available in section 8.1.

### 6 BLOCK DIAGRAMS

Figure 6-1 Detailed Block Diagram



## 7 PIN DESCRIPTIONS

### 7.1 Pin Functional Description

Note that all digital pins are inout pins in JTAG mode. This feature increases the effectiveness of board level ATPG patterns.

**Table 7-1 Detailed Pin Descriptions**

NAME	PIN # DS33Z41 CSBGA (169)	TYPE	DESCRIPTION
<b>Serial Interface IO Pins</b>			
TCLKI	F1	I	<b>Serial Interface Transmit Clock Input:</b> The clock reference for TSER, which is output on the rising edge of the clock. TCLKI supports gapped clocking, up to a maximum frequency of 52 MHz.
TSER	F2	O	<b>Transmit Serial Data Output:</b> Output on the rising edge of TCLKI. Selective clock periods can be skipped for output of TSER with a gapped clock input on TCLKI. The maximum data rate is 52 Mbit/s.
TSYNC	G3	I	<b>Transmit Synchronization Input</b> An 8 KHz synchronization pulse, used to denote the first Channel 1 of the 8.192 Mbit/s byte-interleaved IBO data stream. Note that this input is also used to generate the transmit byte synchronization if X.86 mode is enabled.
RCLKI	G2	I	<b>Serial Interface Receive Clock Input:</b> Reference clock for receive serial data on RSER. Gapped clocking is supported, up to the maximum RCLKI frequency of 52 MHz.
RSER	H1	I	<b>Receive Serial Data Input:</b> Receive Serial data arrives on the rising edge of the clock.
RSYNC	G1	I	<b>Receive Synchronization Input</b> An 8 KHz synchronization pulse, used to denote the first Channel 1 of the 8.192 Mbit/s byte-interleaved IBO data stream. Note that this input is also used to generate the receive byte synchronization if X.86 mode is enabled.
<b>MII/RMII Port</b>			
REF_CLK	D13	I	<b>Reference Clock (RMII and MII):</b> When in RMII mode, all signals from the PHY are synchronous to this clock input for both transmit and receive. This required clock can be up to 50 MHz and should have +/- 100 ppm accuracy.  When in MII mode in DCE operation, the DS33Z41 uses this input to generate the RX_CLK and TX_CLK outputs as required for the Ethernet PHY interface. When the MII interface is used with DTE operation, this clock is not required and should be tied low.

NAME	PIN # DS33Z41 CSBGA (169)	TYPE	DESCRIPTION
REF_CLKO	E13	O	<b>Reference Clock Output (RMII and MII):</b> A derived clock output up to 50 MHz, generated by internal division of the SYSCLKI signal. Frequency accuracy of the REF_CLKO signal will be proportional to the accuracy of the user-supplied SYSCLKI signal. This output can be used for the RMII/MII interface clock by external connection to REF_CLK. This capability eliminates the need for an additional 50 MHz (RMII) or 25 MHz (MII) PHY reference oscillator. See section 8.2.2 for more information.
TX_CLK	A8	IO	<b>Transmit Clock (MII):</b> Timing reference for TX_EN and TXD[3:0]. The TX_CLK frequency is 25 MHz for 100 Mbit/s operation and 2.5 MHz for 10 Mbit/s operation.  In DTE mode, this is a clock input provided by the PHY. In DCE mode, this is an output derived from REF_CLK providing 2.5 MHz (10 Mbit/s operation) or 25 MHz (100 Mbit/s operation).
TX_EN	E10	O	<b>Transmit Enable (MII):</b> This pin is asserted high when data TXD [3:0] is being provided by the DS33Z41. The signal is deasserted prior to the first nibble of the next frame. This signal is synchronous with the rising edge TX_CLK. It is asserted with the first bit of the preamble.  <b>Transmit Enable (RMII):</b> When this signal is asserted, the data on TXD [1:0] is valid. This signal is synchronous to the REF_CLK.
TXD[0] TXD[1] TXD[2] TXD[3]	B9 C9 D9 E9	O	<b>Transmit Data 0 through 3(MII):</b> TXD [3:0] is presented synchronously with the rising edge of TX_CLK. TXD [0] is the least significant bit of the data. When TX_EN is low the data on TXD should be ignored.  <b>Transmit Data 0 through 1(RMII):</b> Two bits of data TXD [1:0] presented synchronously with the rising edge of REF_CLK.
RX_CLK	A10	IO	<b>Receive Clock (MII):</b> Timing reference for RX_DV, RX_ERR and RXD[3:0], which are clocked on the rising edge. RX_CLK frequency is 25 MHz for 100 Mbit/s operation and 2.5 MHz for 10 Mbit/s operation. In DTE mode, this is a clock input provided by the PHY. In DCE mode, this is an output derived from REF_CLK providing 2.5 MHz (10 Mbit/s operation) or 25 MHz (100 Mbit/s operation).
RXD[0] RXD[1] RXD[2] RXD[3]	B11 C11 D11 A11	I	<b>Receive Data 0 through 3(MII):</b> Four bits of received data, sampled synchronously with the rising edge of RX_CLK. For every clock cycle, the PHY transfers 4 bits to the DS33Z41. RXD[0] is the least significant bit of the data. Data is not considered valid when RX_DV is low.  <b>Receive Data 0 through 1(RMII):</b> Two bits of received data, sampled synchronously with REF_CLK with 100 Mbit/s Mode. Accepted when CRS_DV is asserted. When configured for 10 Mbit/s Mode, the data is sampled once every 10 clock periods.

NAME	PIN # DS33Z41 CSBGA (169)	TYPE	DESCRIPTION
RX_DV	D10	I	<b>Receive Data Valid (MII):</b> This active high signal indicates valid data from the PHY. The data RXD is ignored if RX_DV is not asserted high.
RX_CRS / CRS_DV	C8	I	<b>Receive Carrier Sense (MII):</b> Should be asserted (high) when data from the PHY (RXD[3:0]) is valid. For each clock pulse 4 bits arrive from the PHY. Bit 0 is the least significant bit. In DCE mode, connect to Vdd.  <b>Carrier Sense/Receive Data Valid (RMII):</b> This signal is asserted (high) when data is valid from the PHY. For each clock pulse 2 bits arrive from the PHY. In DCE mode, this signal must be grounded.
RX_ERR	B12	I	<b>Receive Error (MII):</b> Asserted by the MAC PHY for one or more RX_CLK periods indicating that an error has occurred. Active High indicates Receive code group is invalid. If CRS_DV is low, RX_ERR has no effect. This is synchronous with RX_CLK. In DCE mode, this signal must be grounded.  <b>Receive Error (RMII):</b> Signal is synchronous to REF_CLK;
COL_DET	B13	I	<b>Collision Detect (MII):</b> Asserted by the MAC PHY to indicate that a collision is occurring. In DCE Mode this signal should be connected to ground. This signal is only valid in half duplex mode, and is ignored in full duplex mode
MDC	C12	O	<b>Management Data Clock (MII):</b> Clocks management data between the PHY and DS33Z41. The clock is derived from the REF_CLK, with a maximum frequency is 1.67 MHz. The user must leave this pin unconnected in the DCE Mode.
MDIO	C13	IO	<b>MII Management data IO (MII):</b> Data path for control information between the PHY and DS33Z41. When not used, pull to logic high externally through a 10K resistor. The MDC and MDIO pins are used to write or read up to 32 Control and Status Registers in 32 PHY Controllers. This port can also be used to initiate Auto-Negotiation for the PHY. The user must leave this pin unconnected in the DCE Mode.
<b>Microprocessor Port</b>			
A0	A1	I	<b>Address Bit 0:</b> Address bit 0 of the microprocessor interface. Least Significant Bit.
A1	B1	I	<b>Address Bit 1:</b> Address bit 1 of the microprocessor interface.
A2	A2	I	<b>Address Bit 2:</b> Address bit 2 of the microprocessor interface.
A3	B2	I	<b>Address Bit 3:</b> Address bit 3 of the microprocessor interface.
A4	C2	I	<b>Address Bit 4:</b> Address bit 4 of the microprocessor interface.

NAME	PIN # DS33Z41 CSBGA (169)	TYPE	DESCRIPTION
A5	A3	I	<b>Address Bit 5:</b> Address bit 5 of the microprocessor interface.
A6	B3	I	<b>Address Bit 6:</b> Address bit 6 of the microprocessor interface.
A7	C3	I	<b>Address Bit 7:</b> Address bit 7 of the microprocessor interface.
A8	A4	I	<b>Address Bit 8:</b> Address bit 8 of the microprocessor interface.
A9	B4	I	<b>Address Bit 9:</b> Address bit 9 of the microprocessor interface. Most Significant Bit.
D0	A5	IOZ	<b>Data Bit 0:</b> Bi-directional data bit 0 of the microprocessor interface. Least Significant Bit. Not driven when $\overline{CS} = 1$ or $\overline{RST} = 0$ .
D1	A6	IOZ	<b>Data Bit 1:</b> Bi-directional data bit 1 of the microprocessor interface. Not driven when $\overline{CS} = 1$ or $\overline{RST} = 0$ .
D2	A7	IOZ	<b>Data Bit 2:</b> Bi-directional data bit 2 of the microprocessor interface. Not driven when $\overline{CS} = 1$ or $\overline{RST} = 0$ .
D3	B5	IOZ	<b>Data Bit 3:</b> Bi-directional data bit 3 of the microprocessor interface. Not driven when $\overline{CS} = 1$ or $\overline{RST} = 0$ .
D4	B6	IOZ	<b>Data Bit 4:</b> Bi-directional data bit 4 of the microprocessor interface. Not driven when $\overline{CS} = 1$ or $\overline{RST} = 0$ .
D5	B7	IOZ	<b>Data Bit 5:</b> Bi-directional data bit 5 of the microprocessor interface. Not driven when $\overline{CS} = 1$ or $\overline{RST} = 0$ .
D6	C5	IOZ	<b>Data Bit 6:</b> Bi-directional data bit 6 of the microprocessor interface. Not driven when $\overline{CS} = 1$ or $\overline{RST} = 0$ .
D7	C6	IOZ	<b>Data Bit 7:</b> Bi-directional data bit 7 of the microprocessor interface. Most Significant Bit. Not driven when $\overline{CS} = 1$ or $\overline{RST} = 0$ .
CS	C1	I	<b>Chip Select:</b> This pin must be taken low for read/write operations. When $\overline{CS}$ is high, the $\overline{RD} / \overline{DS}$ and $\overline{WR}$ signals are ignored.
$\overline{RD} / \overline{DS}$	E1	I	<b>Read Data Strobe (Intel Mode):</b> The DS33Z41 drives the data bus (D0-D7) with the contents of the addressed register while $\overline{RD}$ and $\overline{CS}$ are both low..  <b>Data Strobe (Motorola Mode):</b> Used to latch data through the microprocessor interface. $\overline{DS}$ must be low during read and write operations.
$\overline{WR} / \overline{RW}$	E2	I	<b>Write (Intel Mode):</b> The DS33Z41 captures the contents of the data bus (D0-D7) on the rising edge of $\overline{WR}$ and writes them to the addressed register location. $\overline{CS}$ must be held low during write operations.  <b>Read Write (Motorola Mode):</b> Used to indicate read or write operation. $\overline{RW}$ must be set high for a register read cycle and low for a register write cycle.



NAME	PIN # DS33Z41 CSBGA (169)	TYPE	DESCRIPTION
$\overline{\text{INT}}$	F3	OZ	<b>Interrupt Output:</b> Outputs a logic zero when an unmasked interrupt event is detected. $\overline{\text{INT}}$ is de-asserted when all interrupts have been acknowledged and serviced. Active low. Inactive state is programmable in register GL.CR1.
RST	D8	I	<b>Reset:</b> An active low signal on this pin resets the internal registers and logic. This pin should remain low until power, SYCLKI, RX_CLK, and TX_CLK are stable, then set high for normal operation.  This input requires a clean edge with a rise time of 25ns or less to properly reset the device.
MODEC[0] MODEC[1]	D6 D7	I	<b>Mode Control:</b> 00 = Read/Write Strobe Used (Intel Mode) 01 = Data Strobe Used (Motorola Mode) 10 = Reserved. Do not use. 11 = Reserved. Do not use.
DCEDTES	A13	I	<b>DCE or DTE Selection:</b> The user must set this pin high for DCE Mode selection or low for DTE Mode. In DCE Mode, the DS33Z41 MAC port can be directly connected to another MAC. In DCE Mode, the Transmit clock (TX_CLK) and Receive clock (RX_CLK) are output by the DS33Z41. Note that there is no software bit selection of DCEDTES. Note that DCE Mode is only relevant when the MAC interface is in MII mode.
RMIIMIS	C4	I	<b>RMII or MII Selection:</b> Set high to configure the MAC for RMII interfacing. Set low for MII interfacing.

NAME	PIN # DS33Z41 CSBGA (169)	TYPE	DESCRIPTION
<b>SDRAM Controller</b>			
SDATA[0] SDATA[1] SDATA[2] SDATA[3] SDATA[4] SDATA[5] SDATA[6] SDATA[7] SDATA[8] SDATA[9] SDATA[10] SDATA[11] SDATA[12] SDATA[13] SDATA[14] SDATA[15] SDATA[16] SDATA[17] SDATA[18] SDATA[19] SDATA[20] SDATA[21] SDATA[22] SDATA[23] SDATA[24] SDATA[25] SDATA[26] SDATA[27] SDATA[28] SDATA[29] SDATA[30] SDATA[31]	M1 L2 N1 M2 N2 N4 N3 L4 J3 M3 H3 J1 J2 K1 K2 L1 M12 H11 M11 N13 N11 L13 N12 K13 J13 J12 H13 H12 G12 F11 G11 L10	IOZ	<p><b>SDRAM Data Bus – bits 0 through 31:</b> The 32 pins of the SDRAM data bus are inputs for read operations and outputs for write operations. At all other times, these pins are high-impedance.</p> <p>Note: All SDRAM operations are controlled entirely by the DS33Z41. No user programming for SDRAM buffering is required.</p>
SDA[0] SDA[1] SDA[2] SDA[3] SDA[4] SDA[5] SDA[6] SDA[7] SDA[8] SDA[9] SDA[10] SDA[11]	N9 N10 L11 K11 L7 L8 L9 L5 M5 M7 M8 N8	O	<p><b>SDRAM Address Bus 0 through 11:</b> The 12 pins of the SDRAM address bus output the row address first, followed by the column address. The row address is determined by SDA0 to SDA11 at the rising edge of clock. Column address is determined by SDA0-SDA9 and SDA11 at the rising edge of the clock. SDA10 is used as an auto-precharge signal.</p> <p>Note: All SDRAM operations are controlled entirely by the DS33Z41. No user programming for SDRAM buffering is required.</p>
SBA[0] SBA[1]	M6 N7	I	<p><b>SDRAM Bank Select:</b> These 2 bits select 1 of 4 banks for the read/write/precharge operations.</p> <p>Note: All SDRAM operations are controlled entirely by the DS33Z41. No user programming for SDRAM buffering is required.</p>

NAME	PIN # DS33Z41 CSBGA (169)	TYPE	DESCRIPTION
SRAS	K6	O	<b>SDRAM Row Address Strobe:</b> Active low output, used to latch the row address on rising edge of SDCLKO. It is used with commands for Bank Activate, Precharge, and Mode Register Write.
SCAS	H4	O	<b>SDRAM Column Address Strobe:</b> Active low output, used to latch the column address on the rising edge of SDCLKO. It is used with commands for Bank Activate, Precharge, and Mode Register Write.
SWE	M4	O	<b>SDRAM Write Enable:</b> This active low output enables write operation and auto precharge.
SDMASK[0] SDMASK[1] SDMASK[2] SDMASK[3]	N6 G4 M10 M9	O	<b>SDRAM Mask 0 through 3:</b> When high, a write is done for that byte. The least significant byte is SDATA7 to SDATA0. The most significant byte is SDATA31 to SDATA24.
SDCLKO	N5	O (4 mA)	<b>SDRAM CLK Out:</b> System clock output to the SDRAM. This clock is a buffered version of SYSCLKI.
SYSCLKI	G13	I	<b>System Clock In:</b> 100MHz System Clock input to the DS33Z41, used for internal operation. This clock is buffered and provided at SDCLKO for the SDRAM interface. The DS33Z41 also provides a divided version output at the REF_CLKO pin. A clock supply with +/- 100 ppm frequency accuracy is suggested.
SDCS	L6	O	<b>SDRAM Chip Select:</b> Active low output enables SDRAM access.
<b>Queue Status</b>			
QOVF	C7	O	<b>Queue Overflow:</b> This pin goes high when the transmit or receive queue has overflowed. This pin will go low when the high watermark is reached again.
<b>JTAG Interface</b>			
JTRST	E6	Ipu	<b>JTAG Reset:</b> JTRST is used to asynchronously reset the test access port controller. After power up, a rising edge on JTRST will reset the test port and cause the device I/O to enter the JTAG DEVICE ID mode. Pulling JTRST low restores normal device operation. JTRST is pulled HIGH internally via a 10k resistor operation. If boundary scan is not used, this pin should be held low.
JTCLK	D4	Ipu	<b>JTAG Clock:</b> This signal is used to shift data into JTDI on the rising edge and out of JTDO on the falling edge.
JTDO	E5	Oz	<b>JTAG Data Out:</b> Test instructions and data are clocked out of this pin on the falling edge of JTCLK. If not used, this pin should be left unconnected.
JTDI	E4	Ipu	<b>JTAG Data In:</b> Test instructions and data are clocked into this pin on the rising edge of JTCLK. This pin has a 10k pull up resistor.
JTMS	F7	Ipu	<b>JTAG Mode Select:</b> This pin is sampled on the rising edge of JTCLK and is used to place the test access port into the various defined IEEE 1149.1 states. This pin has a 10k pull up resistor.

NAME	PIN # DS33Z41 CSBGA (169)	TYPE	DESCRIPTION
<b>Power Supplies</b>			
VDD3.3	G5, G6, G7, G8, G9, G10, H2, H5, H6, H7, H8, H9, H10	I	<b>VDD3.3: Connect to 3.3 Volt Power Supply</b>
VDD1.8	D3, D2, E3, F4, J4, K4, L3, F10, E11, E12, D12, M13, L12	I	<b>VDD1.8: Connect to 1.8 Volt Power Supply</b>
VSS	A9, A12, B10, C10, D1, D5, E7, E8, F6, F8, F12, F13, J5, J6, J11, J7, J8, J9, J10, K3, K5, K7, K8, K9, K10, K12	I	<b>VSS: Connect to the Common Supply Ground</b>
NC	F5, F9, B8		<b>DO NOT CONNECT THESE PINS.</b>

**Notes:**

I = Input

Oz = output, with tri-state

O = Output

IO = Bi-directional pin

Ipu = input, with pullup

IOz = Bi-directional pin, with tri-state

Figure 7-1 DS33Z41 256 Ball CSBGA Pinout

	1	2	3	4	5	6	7	8	9	10	11	12	13
A	A0	A2	A5	A8	D0	D1	D2	TX_CLK	VSS	RX_CLK	RXD[3]	VSS	DCEDTES
B	A1	A3	A6	A9	D3	D4	D5	NC	TXD[0]	VSS	RXD[0]	RX_ERR	COL_DET
C	$\overline{CS}$	A4	A7	RMII[1:3]	D6	D7	QOVF	RX_CRS	TXD[1]	VSS	RXD[1]	MDC	MDIO
D	VSS	VDD1.8	VDD1.8	JTCLK	VSS	MODEC[0]	MODEC[1]	$\overline{RST}$	TXD[2]	RX_DV	RXD[2]	VDD1.8	REF_CLK
E	$\overline{RD}/\overline{DS}$	$\overline{WR}/\overline{RW}$	VDD1.8	JTDI	JTDO	$\overline{JTRST}$	VSS	VSS	TXD[3]	TX_EN	VDD1.8	VDD1.8	REF_CLKO
F	TCLKI	TSER	$\overline{INT}$	VDD1.8	NC	VSS	JTMS	VSS	NC	VDD1.8	SDATA[29]	VSS	VSS
G	RSYNC	RCLKI	TSYNC	SDMASK[1]	VDD3	VDD3	VDD3	VDD3	VDD3	VDD3	SDATA[30]	SDATA[28]	SDCLKI
H	RSER	VDD3	SDATA[10]	$\overline{SCAS}$	VDD3	VDD3	VDD3	VDD3	VDD3	VDD3	SDATA[17]	SDATA[27]	SDATA[26]
J	SDATA[11]	SDATA[12]	SDATA[8]	VDD1.8	VSS	VSS	VSS	VSS	VSS	VSS	VSS	SDATA[25]	SDATA[24]
K	SDATA[13]	SDATA[14]	VSS	VDD1.8	VSS	$\overline{SRA5}$	VSS	VSS	VSS	VSS	SDA[3]	VSS	SDATA[23]
L	SDATA[15]	SDATA[1]	VDD1.8	SDATA[7]	SDA[7]	$\overline{SDCS}$	SDA[4]	SDA[5]	SDA[6]	SDATA[31]	SDA[2]	VDD1.8	SDATA[21]
M	SDATA[0]	SDATA[3]	SDATA[9]	$\overline{SWE}$	SDA[8]	SBA[0]	SDA[9]	SDA[10]	SDMASK[3]	SDMASK[2]	SDATA[18]	SDATA[16]	VDD1.8
N	SDATA[2]	SDATA[4]	SDATA[6]	SDATA[5]	SDCLKO	SDMASK[0]	SBA[1]	SDA[11]	SDA[0]	SDA[1]	SDATA[20]	SDATA[22]	SDATA[19]

## 8 FUNCTIONAL DESCRIPTION

The DS33Z41 provides interconnection and mapping functionality between Ethernet Packet Systems and WAN Time-Division Multiplexed (TDM) systems such as T1/E1/J1, HDSL, and T3/E3. The device is composed of a 10/100 Ethernet MAC, Packet Arbiter, Committed Information Rate controller (CIR), HDLC/X.86(LAPS) Mapper, SDRAM interface, Serial IBO interface, control ports, and Bit Error Rate Tester (BERT).

The Ethernet Packet interfaces support MII and RMI interfaces allowing DS33Z41 to connect to commercially available Ethernet PHY and MAC devices. The Ethernet interfaces can be individually configured for 10 Mbit/s or 100 Mbit/s service, in DTE and DCE configurations. The DS33Z41 MAC interface can be configured to reject frames with bad FCS and short frames (less than 64 bytes).

Ethernet frames are queued and stored in external 32-bit SDRAM. The DS33Z41 SDRAM controller enables connection to a 128Mbit SDRAM without external glue logic, at clock frequencies up to 100 MHz. The SDRAM is used for both the Transmit and Receive Data Queues. The Receive Queue stores data to be sent from the Packet interface to the WAN interface. The Transmit Queue stores data to be sent from the WAN interface to the Packet interface. The external SDRAM can accommodate up to 8192 frames with a maximum frame size of 2016 bytes. The sizing of the queues can be adjusted by software. The user can also program high and low watermarks for each queue that can be used for automatic or manual flow control. The packet data stored in the SDRAM is encapsulated in HDLC or X.86 (LAPS) to be transmitted over the WAN interfaces. The device also provides the capability for bit and packet scrambling.

The WAN interface also receives encapsulated Ethernet packets and transmits the extracted packets over the Ethernet port. The WAN physical interface supports up to 4 serial data streams on a 8.192 Mbit/s IBO bus. The WAN serial port can operate with a gapped clock, and can be connected to a framer or T/E-Carrier transceiver for transmission to the WAN. The WAN interface can be seamlessly connected to the Dallas Semiconductor/Maxim T1/E1/J1 Framers and Single-Chip Transceivers (SCT's).

The DS33Z41 can be configured through an 8-bit Microprocessor interface port. The DS33Z41 also provides 2 on-board clock dividers for the System Clock input and Reference Clock Input for the 802.3 interfaces, further reducing the need for ancillary devices.

## 8.1 PROCESSOR INTERFACE

Microprocessor control of the DS33Z41 is accomplished through the 20 interface pins of the microprocessor port. The 8-bit parallel data bus can be configured for Intel or Motorola modes of operation with the two MODEC[1:0] pins. When MODEC[1:0] = 00, bus timing is in Intel mode, as shown in Figure 11-11 and Figure 11-12. When MODEC[1:0] = 01, bus timing is in Motorola mode, as shown in Figure 11-13 and Figure 11-14. The address space is mapped through the use of 8 address lines, A0 - A7. Multiplexed Mode is not supported on the processor interface.

The Chip Select ( $\overline{CS}$ ) pin must be brought to a logic low level to gain read and write access to the microprocessor port. With Intel timing selected, the Read ( $\overline{RD}$ ) and Write ( $\overline{WR}$ ) pins are used to indicate read and write operations and latch data through the interface. With Motorola timing selected, the Read-Write ( $\overline{RW}$ ) pin is used to indicate read and write operations while the Data Strobe ( $\overline{DS}$ ) pin is used to latch data through the interface.

The interrupt output pin ( $\overline{INT}$ ) is an open-drain output that will assert a logic-low level upon a number of software maskable interrupt conditions. This pin is normally connected to the microprocessor interrupt input. The register map is shown in Table 9-1 on Page 61.

### 8.1.1 Read-Write / Data Strobe Modes

The processor interface can operate in either read-write strobe mode or data strobe mode. When MODEC[1:0] = 00 the read-write strobe mode is enabled and a negative pulse on  $\overline{RD}$  performs a read cycle, and a negative pulse on  $\overline{WR}$  performs a write cycle. When MODEC[1:0] pins = 01 the data strobe mode is enabled and a negative pulse on  $\overline{DS}$  when  $\overline{RW}$  is high performs a read cycle, and a negative pulse on  $\overline{DS}$  when  $\overline{RW}$  is low performs a write cycle. The read-write strobe mode is commonly called the “Intel” mode, and the data strobe mode is commonly called the “Motorola” mode.

### 8.1.2 Clear on Read

The latched status registers will clear on a read access. It is important to note that in a multi-task software environment, the user should handle all status conditions of each register at the same time to avoid inadvertently clearing status conditions. The latched status register bits are carefully designed so that an event occurrence cannot collide with a user read access.

### 8.1.3 Interrupt and Pin Modes

The interrupt ( $\overline{INT}$ ) pin is configurable to drive high or float when not active. The INTM bit controls the pin configuration, when it is set the  $\overline{INT}$  pin will drive high when not active. After reset, the  $\overline{INT}$  pin is in high impedance mode until an interrupt source is active and enabled to drive the interrupt pin.

## 8.2 CLOCK STRUCTURE

The DS33Z41 clocks sources and functions are as follows:

- Serial Transmit Data (TCLKI) and Serial Receive Data (RCLKI) clock inputs are used to transfer data from the serial interface. These clocks can be gapped.
- System Clock (SYSCLKI) input. Used for internal operation. This clock input cannot be a gapped clock. A clock supply with +/- 100 ppm frequency accuracy is suggested. A buffered version of this clock is provided on the SDCLKO pin for the operation of the SDRAM. A divided and buffered version of this clock is provided on the SPICK pin for Serial EEPROM operation. A divided and buffered version of this clock is provided on REF\_CLKO for the RMII/MII interface.
- Packet Interface Reference clock (REF\_CLK) input that can be 25 or 50 MHz. This clock is used as the timing reference for the RMII/MII interface. The user can utilize the built-in REF\_CLKO output clock to drive this input.
- The Transmit and Receive clocks for the MII Interface (TX\_CLK and RX\_CLK). In DTE mode, these are input pins and accept clocks provided by an Ethernet PHY. In the DCE mode, these are output pins and will output an internally generated clock to the Ethernet PHY. The output clocks are generated by internal division of REF\_CLK. In RMII mode, only the REF\_CLK input is used.
- REF\_CLKO is an output clock that is generated by dividing the 100 MHz System clock (SYSCLKI) by 2 or 4. This output clock can be used as an input to REF\_CLK, allowing the user to have one less oscillator for the system.
- A Management Data Clock (MDC) output is derived from SYSCLKI and is used for information transfer between the internal Ethernet MAC and external PHY. The MDC clock frequency is 1.67 MHz.

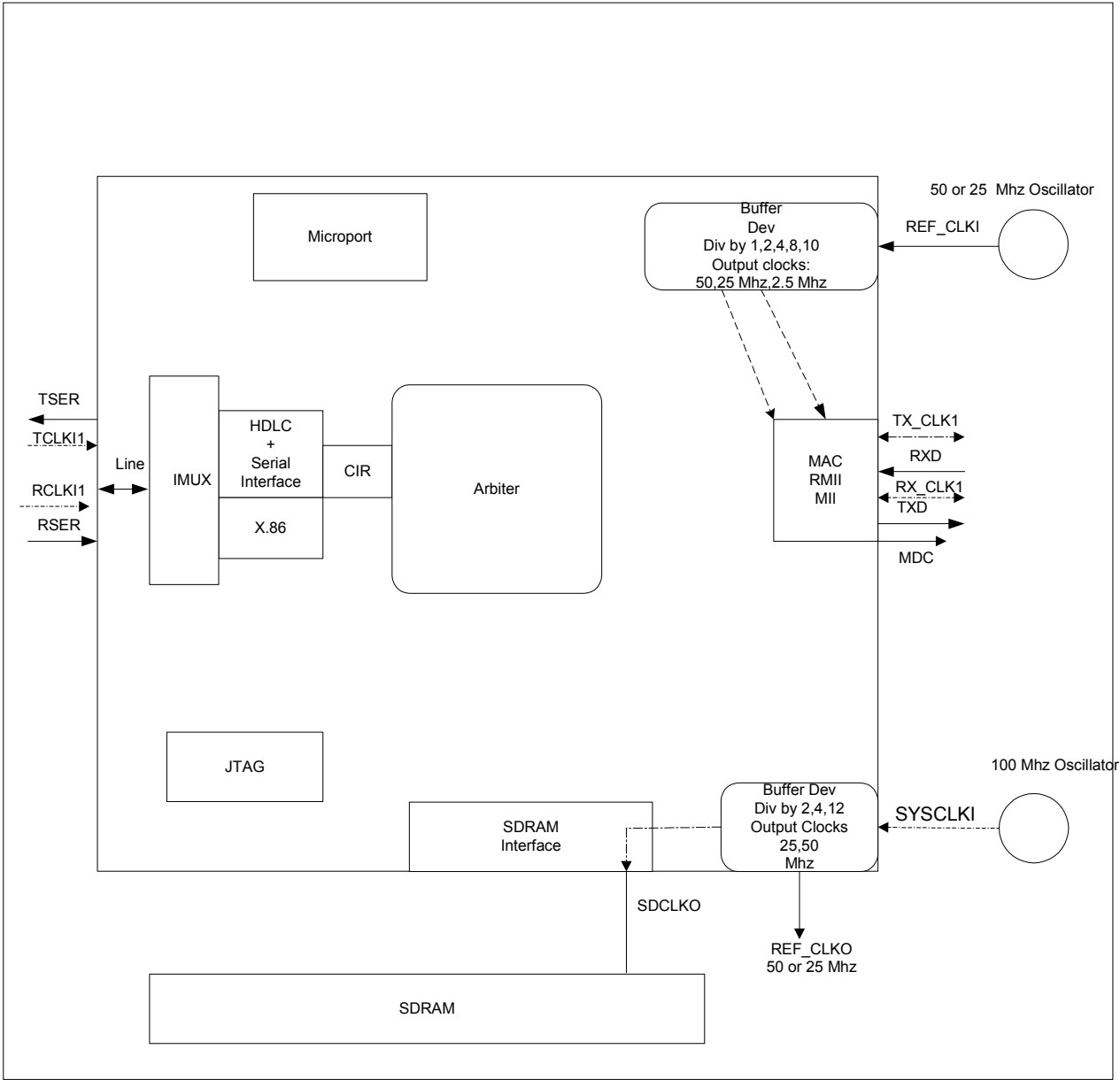
The following table provides the different clocking options for the Ethernet interface.

**Table 8-1 Clock Selection for the Ethernet (LAN) Interface**

RMII/MII Pin	Speed	DCE/DTE	REF_CLKO Output	REF_CLK Input	RX_CLK	TX_CLK	MDC Output
0 (MII)	10 Mbps	DTE	25 MHz	25 MHz +/- 100 ppm	Input from PHY	Input from PHY	1.67 MHz
0 (MII)	10 Mbps	DCE	25 MHz	25 MHz +/- 100 ppm	2.5 MHz (Output)	2.5 MHz (Output)	1.67 MHz
0 (MII)	100 Mbps	DCE	25 MHz	25 MHz +/- 100 ppm	25 MHz (Output)	25 MHz (Output)	1.67 MHz
1 (RMII)	10 Mbps	-	50 MHz	50 MHz +/- 100 ppm	Not Applicable	Not Applicable	1.67 MHz
1 (RMII)	100 Mbps	-	50 MHz	50 MHz +/- 100 ppm	Not Applicable	Not Applicable	1.67 MHz



Figure 8-1 Clocking for the DS33Z41



### 8.2.1 Serial Interface Clock Modes

The Serial Interface timing is determined by the line clocks. 8.192Mhz is the required clock rate for interfacing the IBO bus to Dallas Semiconductor Framers and Single-Chip Transceivers. Both the transmit and receive clocks (TCLKI and RCLKI) are inputs.

### 8.2.2 Ethernet Interface Clock Modes

The Ethernet PHY interface has several different clocking requirements, depending on the mode of operation. The user has the option of using the internally generated REF\_CLKO output to simplify the system design. Table 8-1 outlines the possible clocking modes for the Ethernet Interface. The buffered REF\_CLKO output is generated by division of the 100 MHz system clock input by the user on SYSCLKI. The frequency of the REF\_CLKO pin is automatically determined by the DS33Z41 based on the state of the RMIIMIIS pin. The REF\_CLKO output can be used as a REF\_CLK for the Ethernet Interface by connecting REF\_CLKO to REF\_CLK. The REF\_CLKO function can be turned off with the GL.CR1.RFOO bit.

In RMII mode, receive and transmit timing is always synchronous to a 50 MHz clock input on the REF\_CLK pin. The source of REF\_CLK is expected to be the external PHY. The user has the option of using the 50MHz REF\_CLKO output as the timing source for the PHY. More information on RMII mode can be found in section 8.14.2.

While using MII mode with DTE operation, the MII clocks (RX\_CLK and TX\_CLK) are inputs that are expected to be provided by the external PHY. While using MII mode with DCE operation, the MII clocks (TX\_CLK and RX\_CLK) are output by the DS33Z41, and are derived from the 25 MHz REF\_CLK input. Any 25 MHz reference may be used, but the user may choose to use the REF\_CLKO output to avoid adding another system clock. More information on MII mode can be found in section 8.14.1.

**8.3 RESETS AND LOW POWER MODES**

The external  $\overline{RST}$  pin and the global reset bit in GL.CR1 create an internal global reset signal. The global reset signal resets the status and control registers on the chip (except the GL.CR1. RST bit) to their default values and resets all the other flops to their reset values. The device should be reset after all power supplies, SYSCLKI, RX\_CLK, and TX\_CLK are stable. The processor bus output signals are also placed in high-impedance mode when the  $\overline{RST}$  pin is active (low). The global reset bit (GL.CR1. RST) stays set after a one is written to it, but is reset to zero when the external  $\overline{RST}$  pin is active or when a zero is written to it. Allow 5 milliseconds after initiating a reset condition for the reset operation to complete.

The Serial Interface reset bit in LI.RSTPD resets all the status and control registers on the Serial Interface to their default values, except for the LI.RSTPD.RST bit. The Serial Interface includes the HDLC encoder/decoder, X86 encoder and decoder and the corresponding serial port. The Serial Interface reset bit (LI.RSTPD.RST) stays set after a one is written to it, but is reset to zero when the global reset signal is active or when a zero is written to it.

**Table 8-2 Reset Functions**

RESET FUNCTION	LOCATION	COMMENTS
Hardware Device Reset	$\overline{RST}$ Pin	Transition to a logic 0 level resets the device.
Hardware JTAG Reset	$\overline{JTRST}$ Pin	Resets the JTAG test port.
Global Software Reset	GL.CR1	Writing to this bit resets the device.
Serial interface Reset	LI.RSTPD	Writing to this bit resets a Serial Interface.
Queue Pointer Reset	GL.C1QPR	Writing to this bit resets the Queue Pointers

There are several features in the DS33Z41 to reduce power consumption. The reset bit of the LI.RSTPD register also places the Serial interface in a low-power mode. Additionally, the  $\overline{RST}$  pin may be held low indefinitely to keep the entire device in a low-power mode. Note that exiting the low-power condition requires re-initialization and configuration.

## 8.4 INITIALIZATION AND CONFIGURATION

### EXAMPLE DEVICE INITIALIZATION SEQUENCE:

STEP 1: Reset the device by pulling the  $\overline{RST}$  pin low or by using the software reset bits outlined in Section 8.3. Clear all reset bits. Allow 5 milliseconds for the reset recovery.

STEP 2: Check the Device ID in the GL.IDRL and GL.IDRH registers.

STEP 3: Configure the system clocks. Allow the clock system to properly adjust.

STEP 4: Initialize the entire remainder of the register space with 00h (or otherwise if specifically noted in the register's definition), including the reserved bits and reserved register locations.

STEP 5: Write FFFFFFFFh to the MAC indirect addresses 010Ch through 010Fh.

STEP 6: Setup connection in the GL.CON1 register.

STEP 7: Configure the Serial Port register space as needed.

STEP 8: Configure the Ethernet Port register space as needed.

STEP 9: Configure the Ethernet MAC indirect registers as needed.

STEP 10: Configure the external Ethernet PHYs through the MDIO interface.

STEP 11: Clear all counters and latched status bits.

STEP 12: Set Queue sizes in the Arbiter and reset the queue pointers for the Ethernet and Serial interfaces.

STEP 13: Enable Interrupts as needed.

STEP 14: Initiate link aggregation as discussed in section 8.9.

STEP 15: Begin handling interrupts and latched status events.

## 8.5 GLOBAL RESOURCES

In order to maintain software compatibility with the multiport devices in the product family, a set of Global registers are located at 0F0h-0FFh. The global registers include Global resets, global interrupt status, interrupt masking, clock configuration, and the Device ID registers. See the Global Register Definitions in Table 9-2.

## 8.6 PER-PORT RESOURCES

Multi-port devices in this product family share a common set of global registers, BERT, and Arbiter. All other resources are per-port.

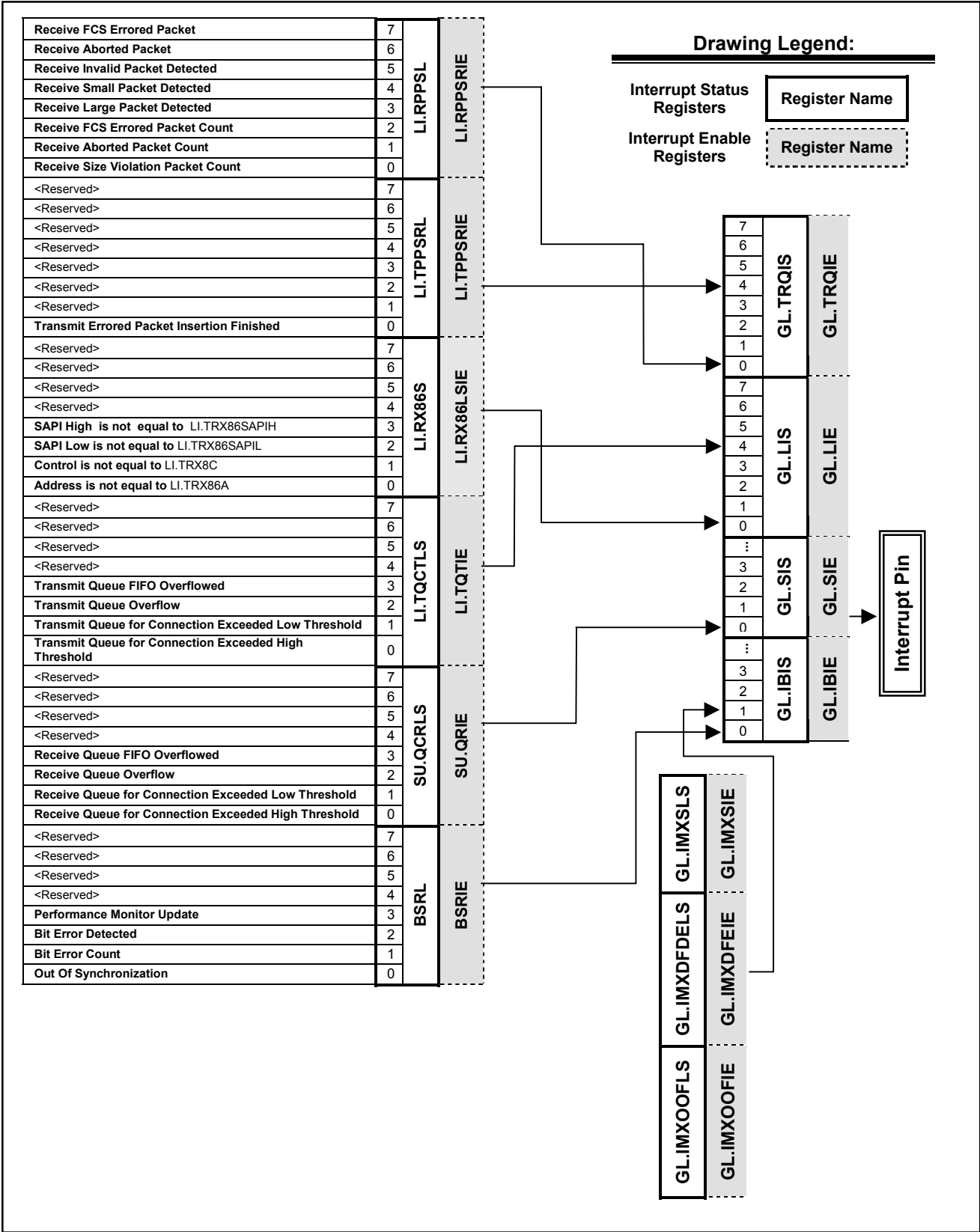
## 8.7 DEVICE INTERRUPTS

Figure 8-2 diagrams the flow of interrupt conditions from their source status bits through the multiple levels of information registers and mask bits to the interrupt pin. When an interrupt occurs, the host can read the Global Latched Status registers GL.LIS, GL.SIS, GL.IBIS, GL.TRQIS, GL.IMXSLS, GL.IMXDFDELS, and GL.IMXOOFLS to initially determine the source of the interrupt. The host can then read the LI.TQCTLS, LI.TPPSRL, LI.RPPSRL, LI.RX86S, SU.QCRLS, and BSRL registers to further identify the source of the interrupt(s). In order to maintain software compatibility with the multiport devices in the product family, the global interrupt status and interrupt enable registers have been preserved, but do not need to be used. If GL.TRQIS is determined to be the interrupt source, the host will then read the LI.TPPSRL and LI.RPPSRL registers for the cause of the interrupt. If GL.LIS is determined to be the interrupt source, the host will then read the LI.TQCTLS, LI.TPPSRL, LI.RPPSRL, and LI.RX86S registers for the source of the interrupt. If GL.SIS is the source, the host will then read the SU.QCRLS register for the source of the interrupt. If GL.IBIS is the source, the host will then read the BSRL register for the source of the interrupt. All Global Interrupt Status Register bits are real-time bits that will clear once the appropriate interrupt has been serviced and cleared, as long as no additional, enabled interrupt conditions are present in the associated status register. All Latched Status bits must be cleared by the host writing a “1” to the bit location of the interrupt condition that has been serviced. In order for individual status conditions to transmit their status to the next level of interrupt logic, they must be enabled by placing a “1” in the associated bit location of the correct Interrupt Enable Register. The Interrupt enable registers are LI.TPPSRIE, LI.RPPSRIE, LI.RX86LSIE, BSRIE, SU.QRIE, GL.LIE, GL.SIE, GL.IBIE, GL.TRQIE, GL.IMXSIE, GL.IMXDFEIE, and GL.IMXOOFIE. Latched Status bits that have been enabled via Interrupt Enable registers are allowed to pass their interrupt conditions to the Global Interrupt Status Registers. The Interrupt enable registers allow individual Latched Status conditions to generate an interrupt, but when set to zero, they do not prevent the Latched Status bits from being set. Therefore, when servicing interrupts, the user should AND the Latched Status with the associated Interrupt Enable Register in order to exclude bits for which the user wished to prevent interrupt service. This architecture allows the application host to periodically poll the latched status bits for non-interrupt conditions, while using only one set of registers. Note the bit-orders of SU.QRIE and SU.QCRLS are different.

Note that the inactive state of the interrupt output pin is configurable. The INTM bit in GL.CR1 controls the inactive state of the interrupt pin, allowing selection of a pull-up resistor or active driver.

The interrupt structure is designed to efficiently guide the user to the source of an enabled interrupt source. The latched status bits for the interrupting entity must be read to clear the interrupt. Also reading the latched status bit will reset all bits in that register. During a reset condition, interrupts cannot be generated. The interrupts from any source can be blocked at a global level by the placing a zero in the global interrupt enable registers (GL.LIE, GL.SIE, GL.IBIE, GL.TRQIE, GL.IMXSIE, GL.IMXDFEIE, and GL.IMXOOFIE). Reading the Latched Status bit for all interrupt generating events will clear the interrupt status bit and Interrupt signal will be de-asserted.

Figure 8-2 Device Interrupt Information Flow Diagram



## 8.8 SERIAL INTERFACE

The Serial Interface consists of physical serial port, IMUX/IBO Formatter, and HDLC/X.86 engine. The Serial Interface supports time-division multiplexed serial data, in a format compatible with Dallas Semiconductor's 8.192Mbit/s Channel Interleaved Bus Operation (IBO). The Serial Interface receives and transmits the encapsulated Ethernet packets. The physical interface consists of Transmit Data, Transmit Clock, Transmit Synchronization, Receive Data, Receive Clock, and Receive Synchronization. The Serial Interface can be seamlessly connected to the IBO bus of the Dallas Semiconductor/Maxim T1/E1/J1 Framers and Single-Chip Transceivers (SCT's) such as the DS21Q42, DS21Q44, DS2155, and DS21458. Functional timing is shown in Figure 11-9.

- Byte-aligned data is always input through the RSER pin at a rate of 8.192 Mbit/s. RSYNC is an 8 KHz reference input used to determine the position of channel 1 for the first T1/E1 link. If the device is configured to use less than 4 T1/E1 links, the data on RSER associated with the unused links is ignored.
- Data on the IBO bus is byte-interleaved (by channel) for up to 4 T1/E1 interfaces, and is "byte-striped" across the available links. The Channel 1 byte arrives (MSB first) for all four T1/E1 links, followed by the Channel 2 byte for all four T1/E1 links, etc.
- Channel 1 is never used for data. In T1 mode, channels 5, 9, 13, 17, 21, 25, 29 are also not used for data. Bytes for all unused timeslots will be replaced with FFh. All 4 TDM links must be configured for T1 operation, or all 4 links must be configured for E1 operation.
- Channel 2 is reserved for link management and coordination. This timeslot is used for inter-node communication to initiate, control, and monitor the IMUX function. The IMUX operation is initiated with a handshaking procedure and if successful, followed by a data phase. There is no data transfer during the handshaking phase. During data transfer, channel 2 is used to provide frame sequence numbers. The receiver uses the sequence numbers (0-63) to reassemble the frames to compensate for a differential delay of up to 7.75 milliseconds. If the differential delay exceeds 7.75 msec, packet errors will occur.
- Byte-aligned data is output on the TSER pin at a rate of 8.192 Mbit/s. TSYNC is used as an 8 KHz synchronization for the TSER data and is used to determine the position of channel 1 for the first T1/E1 link. If the device is configured to use less than 4 T1/E1 links, data bytes on TSER associated with the unused links are set to FFh.

## 8.9 Link Aggregation (IMUX)

The DS33Z41 has a link aggregation feature that allows data from the Ethernet interface to be inverse multiplexed over up to 4 bonded T1/E1 links. The T1/E1 data streams are input and output from the DS33Z41 on an 8.192 Mbit/s Interleaved Bus (IBO). The IMUX function is shown graphically in Figure 8-3 and Figure 8-4.

Figure 8-3 Imux Interface to T1/E1 Transceivers

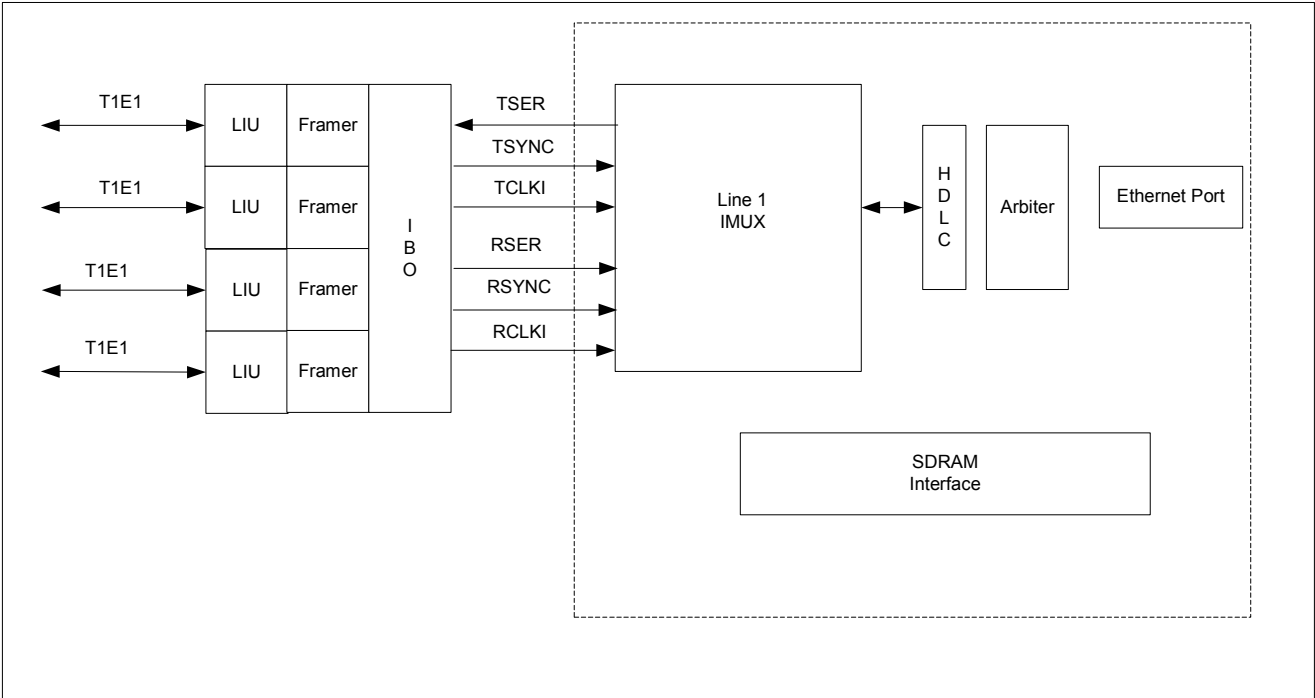
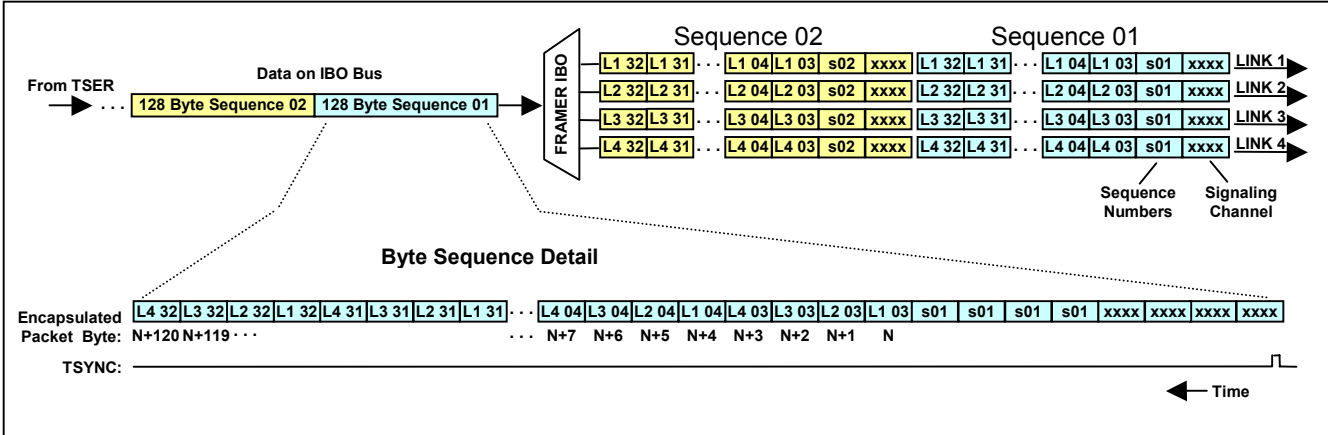


Figure 8-4 Diagram of Data Transmission with IMUX Operation





### 8.9.1 Microprocessor Requirements

Link aggregation requires an external host microprocessor to issue instructions and to monitor the IMUX function of the DS33Z41. The host microprocessor is responsible for the following tasks to open a transmit channel:

- Configuring GL.IMXCN to control the links participating in the aggregation.
- Issuing a link start command through GL.IMXC.
- Monitoring the ITSYNC1-4 status from GL.IMXSS or GL.IMXSLS.
- Monitoring GL.IMXDFDELS.IDDELS0 to ensure that differential delay is not larger than 7.75 milliseconds.
- Setting GL.IMXCN.SENDE to begin transmitting data after all links are synchronized.
- Resetting the queue pointers in GL.C1QPR.
- Monitoring the TOOFLS1-4 status from GL.IMXOOFLS to restart handshaking procedure if needed.

The host microprocessor is also responsible for the following tasks to open a receive channel:

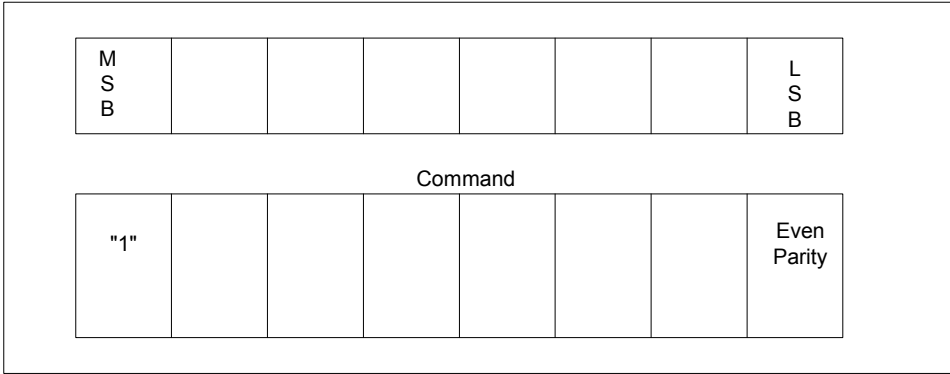
- Monitoring the status of IRSYNC1-4 and setting GL.IMXCN.RXE to receive data.

When in the data phase, if any of the links are detected to be out of frame (OOF), data will be corrupted. The link initialization procedure must be initiated again. Note that the serial HDLC or X.86 encoded data is sent on 4 T1/E1 links, each link will not have separate HDLC/X.86 encoded data. The HDLC/X.86 encoding and decoding is data is only available when the DS33Z41 has performed IMUX function. Hence on the line the FCS for a given HDLC packet could transport on a separate link than the HDLC data.

**8.9.2 IMUX Command Protocol**

The format for all commands sent and received in Channel 2 of the IBO Serial Interface is shown in Figure 8-5. The MSB for all commands is a “1”. The next 6 bits contain the actual opcode for the command. The LSB is the even parity calculation for the byte. These commands will be sent and received on Channel 2 of each of the T1/E1 interleaved IBO data. The commands that are possible are outlined in Table 8-3. Note that the 4 portions of the IMUX link are separate and the Channel 2 for each link will send and receive commands specific to that link. The microprocessor can disable links that are not to be aggregated.

**Figure 8-5 Command Structure for IMUX Function**



**Table 8-3 Commands sent and received on the IMUX links**

Command Name	Command Byte (P is even parity)	Transmit / Receive	Comments
Link Start	1000 001P	Tx or Rx	Initiate the link. The receiver will then search for 3 consecutive sequence numbers.
Sequence	1sss 010P	Tx or Rx	“sss” contains the frame sequence number for packet segmentation and reassembly.
Rsync	1000 011P	Tx or Rx	This command is sent to indicate to the distant node that link synchronization has been achieved.
OOF	1000 100P	Tx or Rx	The transmitting device has detected an out of frame condition.
Nop	1111 111P	Tx or Rx	No operation.

The command and status registers for the IMUX function are detailed below:

**Table 8-4 Command and status for the IMUX for Processor Communication**

Register	Name	Comments
IMUX Configuration Register	GL.IMXCN	Used to configure the number of links participating and select T1 or E1.
IMUX Command Register	GL.IMXC	Used to issue commands for link management
IMUX Sync Status Register	GL.IMXSS	Provides the real time sync status of the 4 transmit and receive links
IMUX Sync Latched Status Register	GL.IMXSLS	Latched status register for the IMXSS register.
IMUX Interrupt Mask Register	GL.IMXSIE	Interrupt enable bits for Sync Latched Status bits
Differential Delay Register	GL.IMXDFD	Provides the largest differential delay value for the receive path. Measured only at link initialization.
Differential Delay Error Interrupt Enable Register	GL.IMXDFEIE	Interrupt enable for the differential delay register.
Differential Delay Latched Status Register	GL.IMXDFDELS	Latched Status for GL.IMXDFD. Note that differential delay is measured only at link initiation.
OOF Interrupt Enable	GL.IMXOOFIE	Interrupt enable for the IMXOOFLS register.
OOF Latched Status Register	GL.IMXOOFLS	Indicates out of frame conditions for both ends of the communication. If detected, the user must re-initiate all links.

### 8.9.3 Out of Frame (OOF) Monitoring

Once the links are in synchronization, frame synchronization monitoring is started. The device will declare an out of frame (OOF) if 2 consecutive sequence errors are received. The device automatically adjusts for single-frame slips by increasing or decreasing the expected frame sequence number. If a frame sequence number is neither repeated nor skipped by one (indicating a single-frame slip), it is considered a sequence error. Two consecutive frames with sequence errors result in an OOF state being declared. The OOF state is used to set OOF Latched bits in GL.IMXOOFLS and an OOF command is sent to the distant end. If an OOF command is received from the distant end, the latched status register will be updated.

### 8.9.4 Data Transfer

Once synchronization is established, data transfer is enabled by the microprocessor setting the GL.IMXCN.RXE and GL.IMXCN.SENDE bits. The user must then reset the queue pointers (GL.C1QPR) for proper data transfer. Data is byte-stripped across the available links.

## 8.10 CONNECTIONS AND QUEUES

The multi-port devices in this product family provide bi-directional cross-connections between the multiple Ethernet ports and Serial ports when operating in software mode. A single connection is preserved in this single-port device to provide software compatibility with multi-port devices. The connection will have an associated transmit and receive queue. Note that the terms “Transmit Queue” and “Receive Queue” are with respect to the Ethernet Interface. The Receive queue is for data arriving from Ethernet interface to be transmitted to the WAN interface. The Transmit queue is for data arriving from the WAN to be transmitted to the Ethernet interface. Hence the transmit and receive direction terminology is the same as is used for the Ethernet MAC port.

The user can define the connection and the size of the transmit and receive queues. The size is adjustable in units of 32 (by 2048 byte) packets. The external SDRAM can hold up to 8192 packets of data. The user must ensure that all the connection queues do not exceed this limit. The user also must ensure that the transmit and receive queues do not overlap each other. Unidirectional connections are not supported.

When the user changes the queue sizes, the connection must be torn down and re-established. When a connection is disconnected all transmit and receive queues associated with the connection are flushed and a “1” is sourced towards the Serial transmit and the HDLC receiver. The clocks to the HDLC are sourced a “0”.

The user can also program High and Low watermarks. If the queue size grows past the High watermark, an interrupt is generated if enabled. The registers of relevance are described in Table 8-5 Registers related to Connections and Queues. The AR.TQSC1 size provides the size of the transmit queue for the connection. The High Watermark will set a latched status bit. The latched status bit will clear when the register is read. The status bit is indicated by LI.TQCTLS.TQHTS. Interrupts can be enabled on the latched bit events by LI.TQTIE. A latched status bit (LI.TQCTLS.TQLTS) is also set when the queue crosses a low watermark.

The Receive Queue functions in a similar manner. Note that the user must ensure that sizes and watermarks are set in accordance with the configuration speed of the Ethernet and Serial interfaces. The DS33Z41 does not provide error indication if the user creates a connection and queue that overwrites data for another connection queue. The user must take care in setting the queue sizes and watermarks. The registers of relevance are AR.RQSC1 and SU.QCRLS. Queue size should never be set to 0.

It is recommended that the user reset the queue pointers for the connection after disconnection. The pointers must be reset before a connection is made. If this disconnect/connect procedure is not followed, incorrect data may be transmitted. The proper procedure for setting up a connection follows:

- Set up the queue sizes for both transmit and receive queue (AR.TQSC1 and AR.RQSC1).
- Set up the high/low thresholds and interrupt enables if desired (GL.TRQIE, LI.TQTIE, SU.QRIE)
- Reset all the pointers for the connection desired (GL.C1QPR)
- Set up the connections (GL.CON1)
- If a connection is disconnected, reset the queue pointers after the disconnection.

**Table 8-5 Registers related to Connections and Queues**

Register	
GL.CON1	Enables connection between the Ethernet Interface and the Serial Interface. Note that once connection is set up, then the queues and thresholds can be setup for that connection.
AR.TQSC1	Size for the Transmit Queue in Number of 32—2K packets.
AR.RQSC1	Size for the Receive Queue in Number of 32—2K packets.
GL.TRQIE	Interrupt enable for items related to the connections at the global level
GL.TRQIS	Interrupt enable status for items related to the connections at the global level
LI.TQTIE	Enables for the Transmit queue crossing high and low thresholds
LI.TQCTLS	Latched status bits for connection high and low thresholds for the transmit queue.
SU.QRIE	Enables for the receive queue crossing high and low thresholds
SU.QCRLS	Latched status bits for receive queue high and low thresholds.
GL.C1QPR	Resets the connection pointer.

## 8.11 ARBITER

The Arbiter manages the transport between the Ethernet port and the Serial port. It is responsible for queuing and dequeuing packets to a single external SDRAM. The arbiter handles requests from the HDLC and MAC to transfer data to and from the SDRAM.

## 8.12 FLOW CONTROL

Flow control may be required to ensure that data queues do not overflow and packets are not lost. The DS33Z41 allows for optional flow control based on the queue high watermark or through host processor intervention. There are 2 basic mechanisms that are used for flow control:

- In half duplex mode, a jam sequence is sent that causes collisions at the far end. The collisions cause the transmitting node to reduce the rate of transmission.
- In full duplex mode, flow control is initiated by the receiving node sending a pause frame. The pause frame has a timer parameter that determines the pause timeout to be used by the transmitting node.

Note that the terms “transmit queue” and “receive queue” are with respect to the Ethernet Interface. The Receive Queue is the queue for the data that arrives on the MII/RMII interface, is processed by the MAC and stored in the SDRAM. Transmit queue is for data that arrives from the Serial port, is processed by the HDLC and stored in the SDRAM to be sent to the MAC transmitter.

The following flow control options are possible:

- Automatic flow control can be enabled in software mode with the SU.GCR.ATFLOW bit. Note that the user does not have control over SU.MACFCR.FCE and FCB bits if ATFLOW is set. The mechanism of sending pause or jam is dependent only on the receive queue high threshold.
- Manual flow control can be performed through software when SU.GCR.ATFLOW=0. The host processor must monitor the receive queues and generate pause frames (full duplex) and/or jam bytes through the SU.MACFCR.FCB, SU.GCR.JAME, and SU.MACFCR FCE bits.

Note that in order to use flow control, the receive queue size (in AR.RQSC1) must be 02h or greater. The receive queue high threshold (in SU.RQHT) must be set to 01h or greater, but must be less than the queue size. If the high threshold is set to the same value as the queue size, automatic flow control will not be effective. The high threshold must always be set to less than the corresponding queue size.

The following table provides all the options on flow control mechanism for DS33Z41.

**Table 8-6 Options for flow control**

Configuration	MODE			
	Half Duplex; Manual Flow Control	Half Duplex; Automatic Flow Control	Full Duplex; Manual Flow Control	Full Duplex; Automatic Flow Control
ATFLOW Bit	0	1	0	1
JAME Bit	Controlled By User	Controlled Automatically	N/A	N/A
FCB Bit (Pause)	NA	NA	Controlled by User	Controlled Automatically
FCE Bit	Controlled by User	Controlled Automatically	Controlled by User	Controlled Automatically
Pause Timer	N/A	N/A	Programmed by User	Programmed by User

### 8.12.1 Full Duplex Flow control

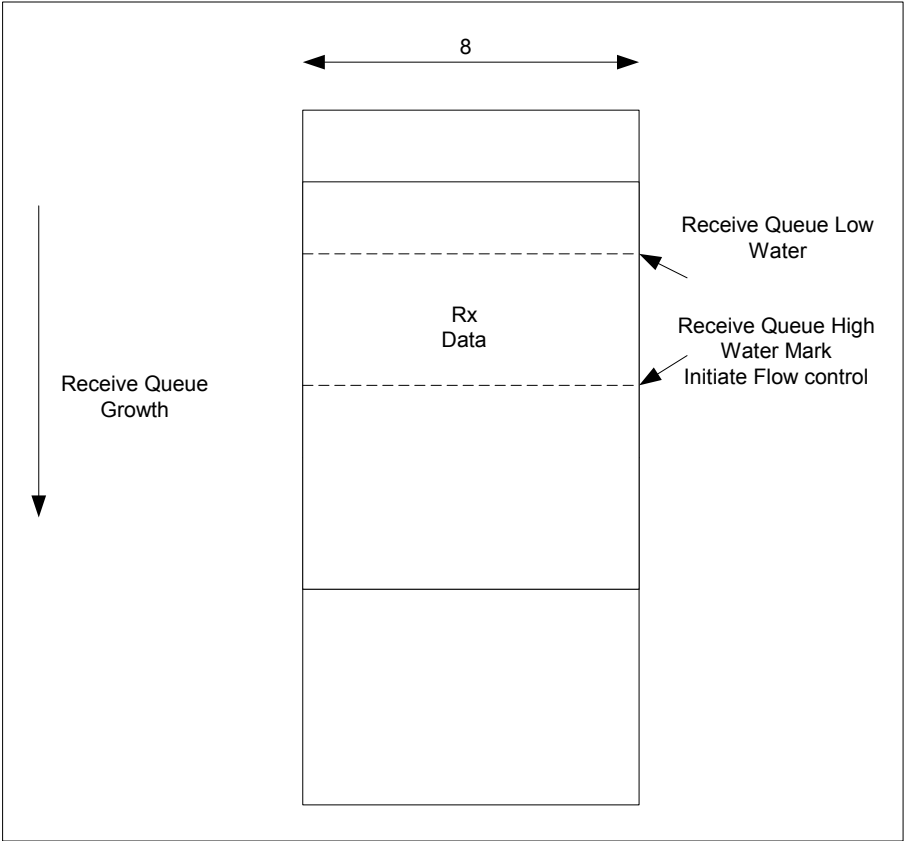
Automatic flow control is enabled by default. The host processor can disable this functionality with SU.GCR.ATFLOW. The flow control mechanism is governed by the high watermarks (SU.RQHT). The SU.RQLT low threshold can be used as indication that the network congestion is clearing up. The value of SU.RQLT does not affect the flow control. When the connection queue high threshold is exceeded the DS33Z41 will send a pause frame with the timer value programmed by the user. See Table 8-8 MAC Control Registers for more information. It is recommended that 80 slots (80 by 64 bytes or 5120 bytes) be used as the standard timer value.

The pause frame causes the distant transmitter to “pause for a time” before starting transmission again. The pause command has a multicast address 01-80-62-00-00-01. The high and low thresholds for the receive queue are configurable by the user but it is recommended that the high threshold be set approximately 96 packets from the maximum size of the queue and the low threshold 96 packets lower than the high threshold. The DS33Z41 will send a pause frame as the queue has crossed the high threshold and a frame is received. Pause is sent every time a frame is received in the “high threshold state”. Pause control will only take care of temporary congestion. Pause control does not take care of systems where the traffic throughput is too high for the queue sizes selected. If the flow control is not effective the receive queue will eventually overflow. This is indicated by SU.QCRLS.RQOVFL latched bit. If the receive queue is overflowed any new frames will not be received.

The user has the option of not enabling automatic flow control. In this case the thresholds and corresponding interrupt mechanism to send pause frame by writing to flow control busy bit in the MAC flow control registers SU.MACFCR.FCB, SU.GCR.JAME, and SU.MACFCR. This allows the user to set not only the watermarks but also to decide when to send a pause frame or not based on watermark crossings.

On the receive side the user has control over whether to respond to the pause frame sent by the distant end (PCF bit). Note that if automatic flow control is enabled the user cannot modify the FCE bit in the MAC flow control register. On the Transmit queue the user has the option of setting high and low thresholds and corresponding interrupts. **There is no automatic flow control mechanism for data received from the Serial side waiting for transmission over the Ethernet interface during times of heavy Ethernet congestion.**

Figure 8-6 Flow control using Pause Control Frame



8.12.2 Half Duplex Flow control

Half duplex flow control uses a jamming sequence to exert backpressure on the transmitting node. The receiving node jams the first 4 bytes of a packet that are received from the MAC in order to cause collisions at the distant end. In both 100 Mbit/s and 10 Mbit/s MII/RMII modes, 4 bytes are jammed upon reception of a new frame. Note that the jamming mechanism does not jam the current frame that is being received during the watermark crossing, but will wait to jam the next frame after the SU.RQHT bit is set. If the queue remains above the high threshold,



received frames will continue to be jammed. This jam sequence is stopped when the queue falls below the high threshold.

### **8.12.3 Host-Managed Flow control**

Although automatic flow control is recommended, flow control by the host processor is also possible. By utilizing the high watermark interrupts, the host processor can manually issue pause frames or jam incoming packets to exert backpressure on the transmitting node. Pause frames can be initiated with SU.MACFCR.FCB bit. Jam sequences can be initiated by setting SU.GCR.JAME. The host can detect pause frames by monitoring SU.RFSB3.UF and SU.RFSB3.CF. Jammed frames will be indistinguishable from packet collisions.

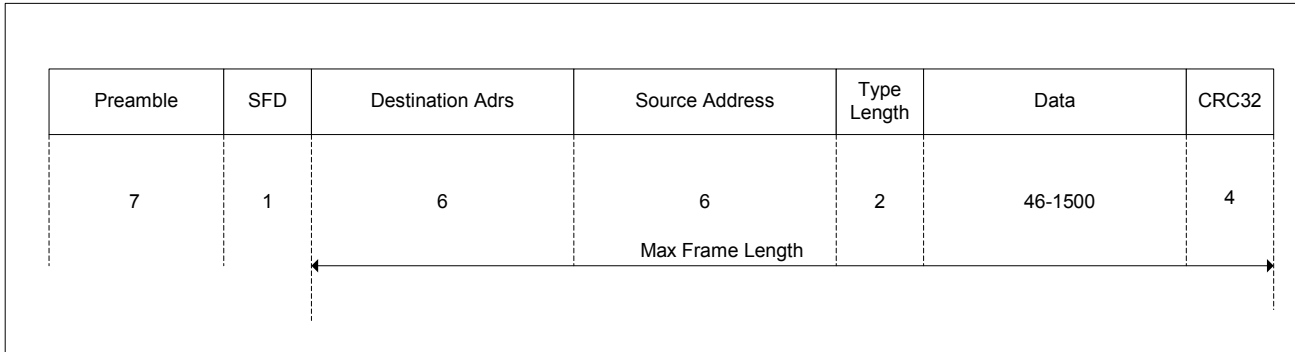
### 8.13 ETHERNET INTERFACE PORT

The Ethernet port interface allows for direct connection to an Ethernet PHY. The interface consists of a 10/100 Mbit/s MII/RMII interface and an Ethernet MAC. In RMII operation, the interface contains 7 signals with a reference clock of 50 MHz. In MII operation, the interface contains 17 signals and a clock reference of 25 MHz. The DS33Z41 can be configured to RMII or MII interface by the Hardware pin RMIIMIIS. The REF\_CLKO output can be used to source the REF\_CLK input. If the port is configured for MII in DCE mode, REF\_CLK must be 25 MHz. The DS33Z41 will internally generate the TX\_CLK and RX\_CLK outputs (at 25 MHz for 100Mbps, 2.5 MHz for 10Mbps) required for DCE mode from the REF\_CLK input. In MII mode with DTE operation, the TX\_CLK and RX\_CLK signals are generated by the PHY and are inputs to the DS33Z41. For more information on clocking the Ethernet Interface, see section 8.2.2.

The data received from the MII or RMII interface is processed by the internal IEEE 802.3 complaint Ethernet MAC. The user can select the maximum frame size (up to 2016 bytes) that is received with the SU.RMFSRH and SU.RMFSRL registers. The maximum frame length (in bits) is the number specified in SU.RMFSRH and SU.RMFSRL multiplied by 8. **Any programmed value greater than 2016 bytes will result in unpredictable behavior and should be avoided.** The maximum frame size is shown in Figure 8-7. The length includes only destination address, source address, VLAN tag (2 bytes), type length field, data and CRC32. The frame size is different than the 802.3 “type length field”.

Frames coming from the Ethernet PHY or received from the packet processor are rejected if greater than the maximum frame size specified. Each Ethernet frame sent or received generates status bits (SU.TFSH and SU.TFSL and SU.RFSB0 to SU.RFSB3). These are real time status registers and will change as each frame is sent or received. Hence they are useful to the user only when one frame is sent or received and the status is associated with the frame sent or received.

**Figure 8-7 IEEE 802.3 Ethernet Frame**



The distant end will normally reject the sent frames if jabber timeout, loss of carrier, excessive deferral, late collisions, excessive collisions, under run, deferred or collision errors occur. Transmission of a frame under any of these errors will generate a status bit in SU.TFSL, SU.TFSH. The DS33Z41 provides user the option to automatically retransmit the frame if any of the errors have occurred through the bit settings in SU.TFRC. Deferred frames and heartbeat fail have separate resend control bits (SU.TFRC.TFBFCB and SU.TFRC.TPRHBC). If there is no carrier (indicated by the MAC Transmit Packet Status), the transmit queue (data from the Serial Interface to the SDRAM to Ethernet Interface) can be selectively flushed. This is controlled by SU.TFRC.NCFQ.

The MAC circuitry generates a frame status for every frame that is received. This real time status can be read by SU.RFSB0 to SU.RFSB3. Note the frame status is the “real time” status and hence the value will change as new frames are received. Hence the real time status reflects the status in time and may not correspond to the current received frame being processed. This is also true for the transmitted frames.

Frames with errors are usually rejected by the DS33Z41. The user has the option of accepting frames by settings in Receive Frame Rejection Control register (SU.RFRC). The user can program whether to reject or accept frames with the following errors:

- MII error asserted during the reception of the frame
- Dribbling bits occurred in the frame
- CRC error occurred
- Length error occurred—the length indicated by the frame length is inconsistent with the number of bytes received
- Control frame was received. The mode must be full duplex
- Unsupported control frame was received

Note that frames received that are runt frames or frames with collision will automatically be rejected.

**Table 8-7 Registers related to the Ethernet Port**

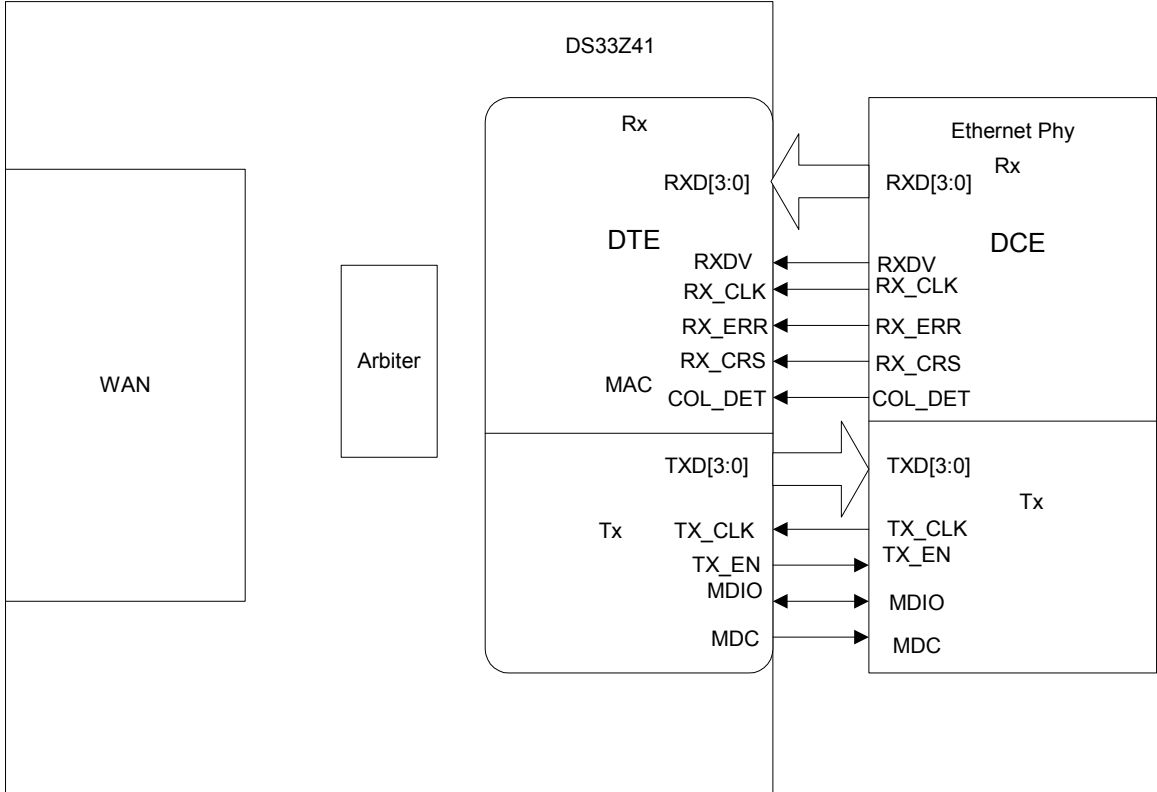
Register	Function
SU.TFRC	This register determines if the current frame is retransmitted due to various transmit errors
SU.TFSL and SU.TFSH	These 2 registers provide the real time status of the transmit frame. Only apply to the last frame transmitted.
SU.RFSB0 to 3	These registers provide the real time status for the received frame. Only apply to the last frame received.
SU.RFRC	This register provides settings for reception or rejection of frame based on errors detected by the MAC.
SU.RMFSRH and SU.RMFSRL	The settings for this register provide the maximum size of frames to be accepted from the MII/RMII receive interface.
SU.MACCR	This register provides configuration control for the MAC

### 8.13.1 DTE and DCE Mode

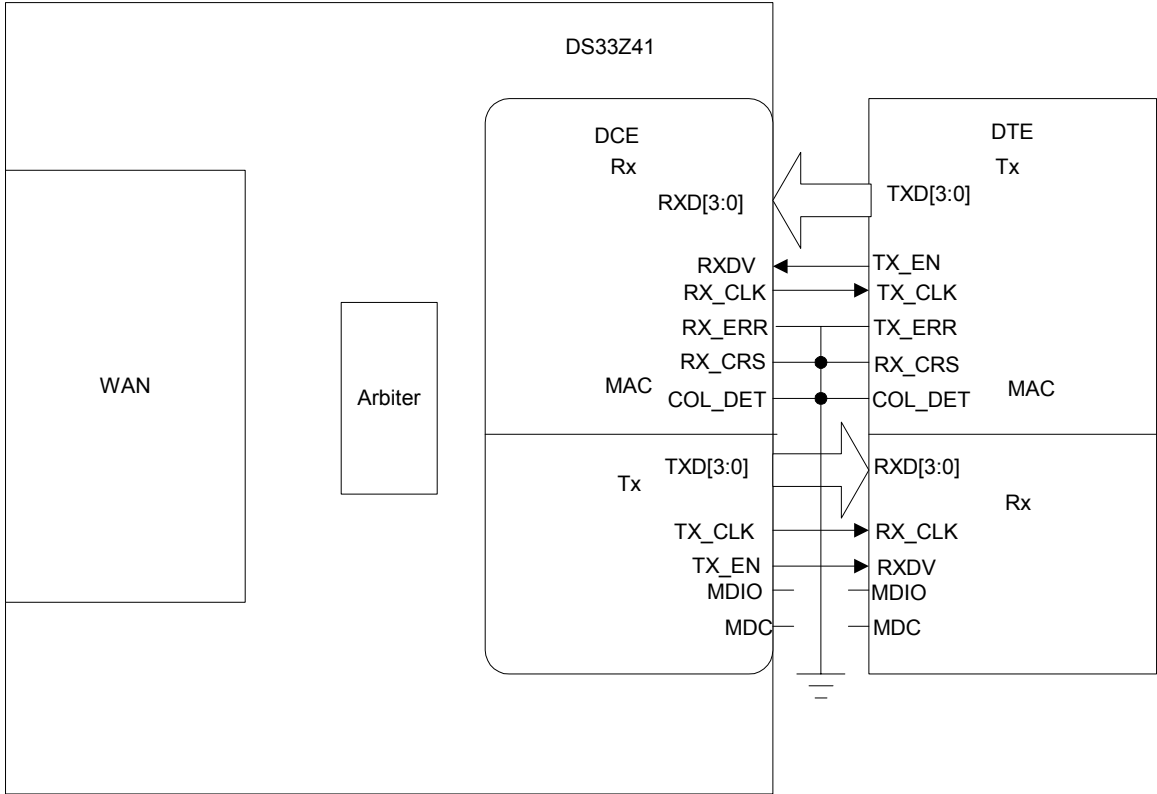
The Ethernet MII/RMII port can be configured for DCE or DTE Mode. When the port is configured for the DTE Mode it can be connected to an Ethernet PHY. In DCE mode, the port can be connected to MII/RMII MAC devices other than an Ethernet PHY. The DTE/DCE connections for the DS33Z41 in MII mode are shown in the following 2 figures.

In DCE Mode, the DS33Z41 transmitter is connected to an external receiver and DS33Z41 receiver is connected to an external MAC transmitter. The selection of DTE or DCE mode is done by the hardware pin DCEDTES.

**Figure 8-8 Configured as DTE connected to an Ethernet PHY in MII Mode**



**Figure 8-9 DS33Z41 Configured as a DCE in MII Mode**



**8.14 ETHERNET MAC**

Indirect addressing is required to access the MAC register settings. Writing to the MAC registers requires the SU.MACWD0-3 registers to be written with 4 bytes of data. The address must be written to SU.MACAWL and SU.MACAWH. A write command is issued by writing a zero to SU.MACRWC.MCRW and a one to SU.MACRWC.MCS (MAC command status). MCS is cleared by the DS33Z41 when the operation is complete.

Reading from the MAC registers requires the SU.MACRADH and SU.MACRADL registers to be written with the address for the read operation. A read command is issued by writing a one to SU.MACRWC.MCRW and a zero to SU.MACRWC.MCS. SU.MACRWC.MCS is cleared by the DS33Z41 when the operation is complete. After MCS is clear, valid data is available in SU.MACRD0-SU.MACRD3. Note that only one operation can be initiated (read or write) at one time. Data cannot be written or read from the MAC registers until the MCS bit has been cleared by the device. The MAC Registers are detailed in the following table.

**Table 8-8 MAC Control Registers**

Address	Register	Register Description
---------	----------	----------------------

Address	Register	Register Description
0000h-0003h	SU.MACCR	MAC Control Register. This register is used for programming full duplex, half duplex, promiscuous mode, and back-off limit for half duplex. The transmit and receive enable bits must be set for the MAC to operate.
0004h-0007h	SU.MACAH	MAC Address High Register. This provides the physical address for this MAC.
0008h-000Bh	SU.MACAL	MAC Address Low Register. This provides the physical address for this MAC.
0014h-0017h	SU.MACMIIA	MII Address Register. The address for PHY access through the MDIO interface.
0018h-001Bh	SU.MACMIID	MII Data Register. Data to be written to (or read from) the PHY through MDIO interface.
001Ch-001Fh	SU.MACFCR	Flow Control Register
0100h-0103h	SU.MMCCTRL	MMC Control Register bit 0 for resetting the status counters

**Table 8-9 MAC Status Registers**

Address	Register	Register Description
0200h-0203h	SU.RxFrmCntr	All Frames Received counter
0204h-0207h	SU.RxFrmOKCtr	Number of Received Frames that are Good
0300h-0303h	SU.TxFrmCtr	Number of Frames Transmitted
0308h-030Bh	SU.TxBytesCtr	Number of Bytes Transmitted
030Ch-030Fh	SU.TxBytesOkCtr	Number of Bytes Transmitted with good frames
0334h-0337h	SU.TxFrmUndr	Transmit FIFO underflow counter
0338h-033Bh	SU.TxBdFrmsCtr	Transmit Number of Frames Aborted

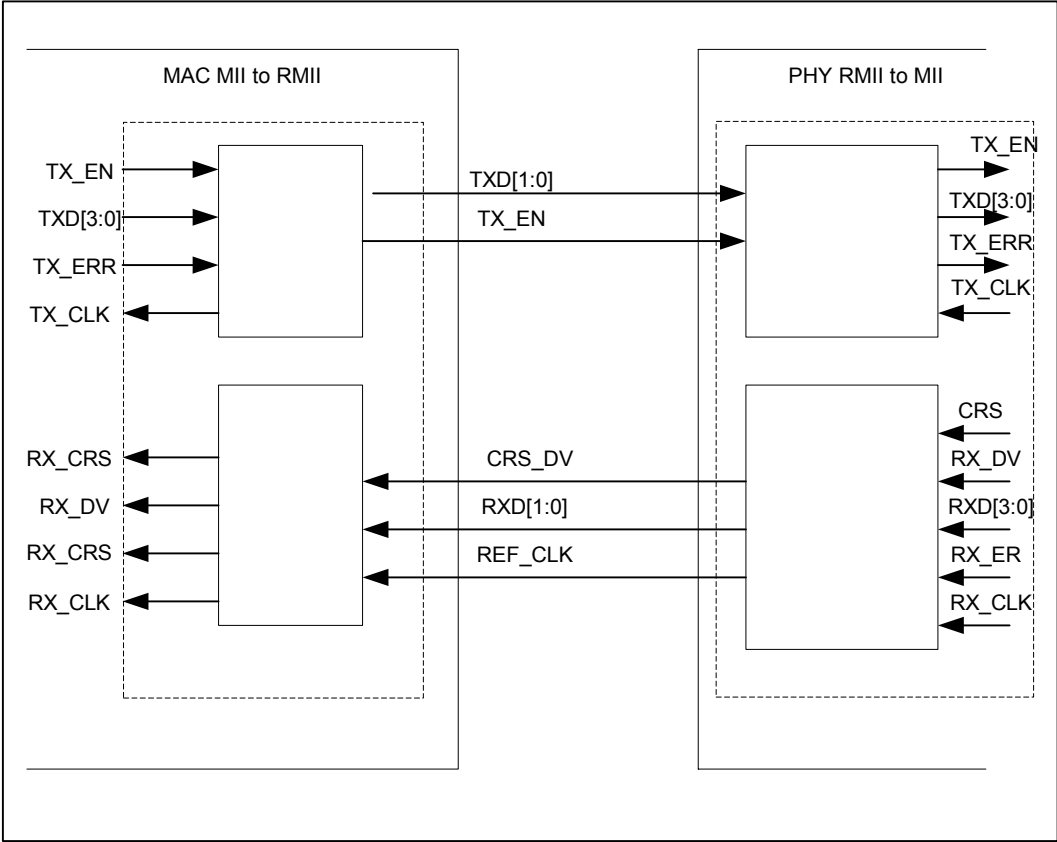
**8.14.1 MII Mode**

The Ethernet interface can be configured for MII operation by setting the hardware pin RMIIMIIS low. The MII interface consists of 17 pins. For instructions on clocking the Ethernet Interface while in MII mode, see section 8.2.2. Diagrams of system connections for MII operation are shown in Figure 8-8 and Figure 8-9.

**8.14.2 RMII Mode**

The Ethernet interface can be configured for RMII operation by setting the hardware pin RMIIMIIS high. RMII interface operates synchronously from the external 50 MHz reference (REF\_CLK). Only 7 signals are required. The following figure shows the RMII architecture. Note that DCE mode is not supported for RMII mode and RMII is valid only for full duplex operation.

**Figure 8-10 RMII Interface**



**8.14.3 PHY MII Management Block and MDIO Interface**

The MII Management Block allows for the host to control up to 32 PHY's, each with 32 registers. The MII block communicates with the external PHY using 2-wire serial interface composed of MDC (serial clock) and MDIO for data. The MDIO data is valid on the rising edge of the MDC clock. The Frame format for the MII Management Interface is shown Figure 8-11. The read/write control of the MII Management is accomplished through the indirect SU.MACMIIA MII Management Address Register and data is passed through the indirect SU.MACMIID Data Register. These indirect registers are accessed through the MAC Control Registers defined in Table 8-8. The MDC clock is internally generated and runs at 1.67 MHz. Note that the DS33Z41 provides a single MII Management port, and all control registers for this function are located in MAC 1.

**Figure 8-11 MII Management Frame**

	Preamble 32 bits	Start 2 bits	Opco de 2 bits	Phy Adrs 5 bits	Phy Reg 5 bits	Turn Aroun d 2 bits	Data 16 bits	Idle 1 Bit
READ	111...111	01	10	PHYA[4:0]	PHYR[4:0]	ZZ	ZZZZZZZZ	Z
WRITE	111...111	01	01	PHYA[4:0]	PHYR[4:0]	10	PHYD[15:0]	Z



## 8.15 BERT

The BERT can be used for generation and detection of BERT patterns. The BERT is a software programmable test pattern generator and monitor capable of meeting most error performance requirements for digital transmission equipment. The following restrictions are related to the BERT:

- The user should provide a gapped clock on RCLKI and TCLKI that is active during channels in which the user wishes to insert the BERT pattern. Several of the Dallas Semiconductor Framers and Transceivers provide programmable channel blocking pins for this purpose.
- BERT will transmit even when the device is set for X.86 mode.
- The normal traffic flow is halted while the BERT is in operation.
- If the BERT is enabled for a Serial port, it will override the normal connection.
- If there is a connection overridden by the BERT, when BERT operation is terminated the normal operation is restored.

The transmit direction generates the programmable test pattern, and inserts the test pattern payload into the data stream. The receive direction extracts the test pattern payload from the receive data stream, and monitors the test pattern payload for the programmable test pattern.

### BERT Features

- PRBS and QRSS patterns of  $2^9-1$ ,  $2^{15}-1$   $2^{23}-1$  and QRSS pattern support
- Programmable repetitive pattern. The repetitive pattern length and pattern are programmable (length  $n = 1$  to 32 and pattern = 0 to  $(2^n - 1)$ ).
- 24-bit error count and 32-bit bit count registers
- Programmable bit error insertion. Errors can be inserted individually

### 8.15.1 Receive Data Interface

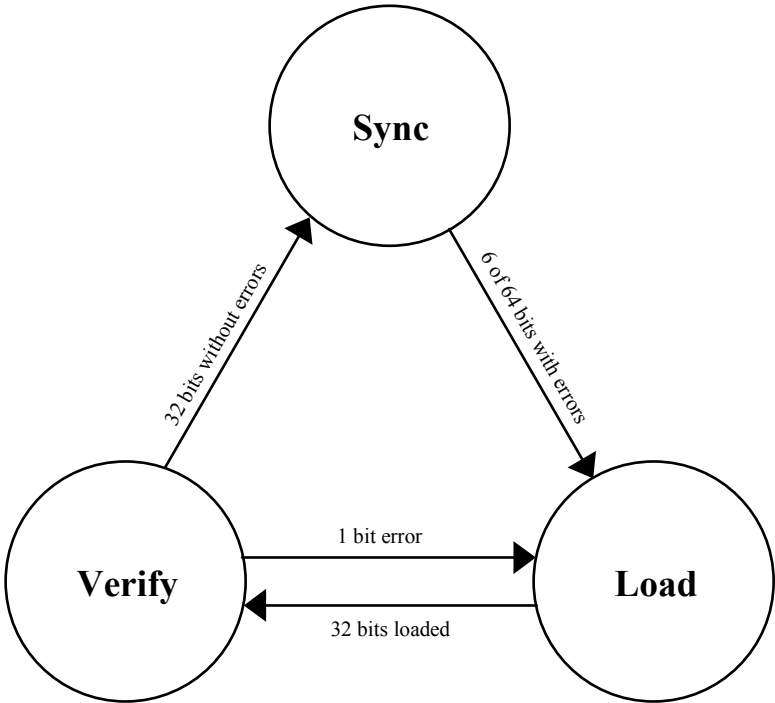
#### 8.15.1.1 Receive Pattern Detection

The Receive BERT receives only the payload data and synchronizes the receive pattern generator to the incoming pattern. The receive pattern generator is a 32-bit shift register that shifts data from the least significant bit (LSB) or bit 1 to the most significant bit (MSB) or bit 32. The input to bit 1 is the feedback. For a PRBS pattern (generating polynomial  $x^n + x^y + 1$ ), the feedback is an XOR of bit  $n$  and bit  $y$ . For a repetitive pattern (length  $n$ ), the feedback is bit  $n$ . The values for  $n$  and  $y$  are individually programmable (1 to 32). The output of the receive pattern generator is the feedback. If QRSS is enabled, the feedback is an XOR of bits 17 and 20, and the output is forced to one if the next 14 bits are all zeros. QRSS is programmable (on or off). For PRBS and QRSS patterns, the feedback is forced to one if bits 1 through 31 are all zeros. Depending on the type of pattern programmed, pattern detection performs either PRBS synchronization or repetitive pattern synchronization.

#### 8.15.1.2 PRBS Synchronization

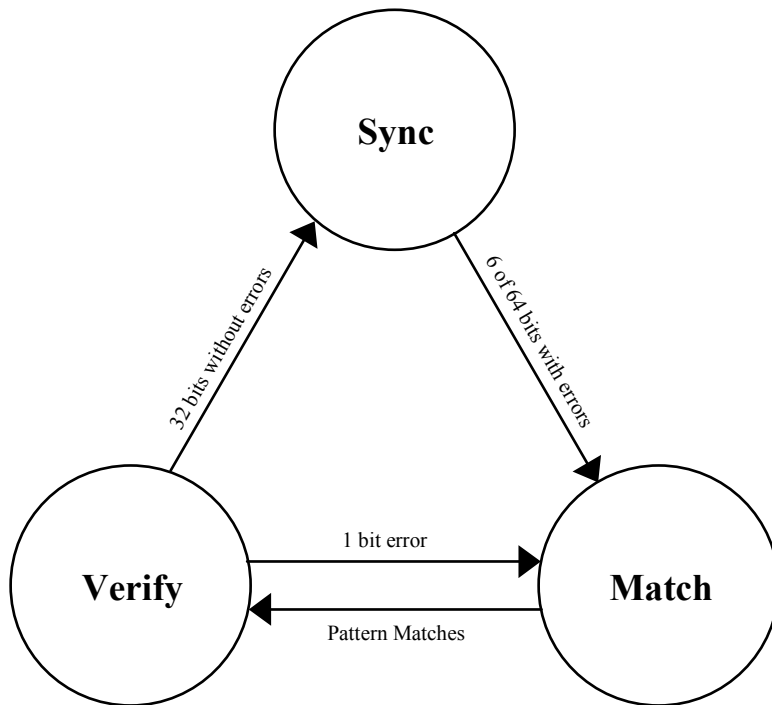
PRBS synchronization synchronizes the receive pattern generator to the incoming PRBS or QRSS pattern. The receive pattern generator is synchronized by loading 32 data stream bits into the receive pattern generator, and then checking the next 32 data stream bits. Synchronization is achieved if all 32 bits match the incoming pattern. If at least is incoming bits in the current 64-bit window do not match the receive pattern generator, automatic pattern resynchronization is initiated. Automatic pattern resynchronization can be disabled.

Figure 8-12 PRBS Synchronization State Diagram



**8.15.2 Repetitive Pattern Synchronization**

Repetitive pattern synchronization synchronizes the receive pattern generator to the incoming repetitive pattern. The receive pattern generator is synchronized by searching each incoming data stream bit position for the repetitive pattern, and then checking the next 32 data stream bits. Synchronization is achieved if all 32 bits match the incoming pattern. If at least six incoming bits in the current 64-bit window do not match the receive PRBS pattern generator, automatic pattern resynchronization is initiated. Automatic pattern resynchronization can be disabled.

**Figure 8-13 Repetitive Pattern Synchronization State Diagram**

### 8.15.3 Pattern Monitoring

Pattern monitoring monitors the incoming data stream for Out Of Synchronization (OOS) condition, bit errors, and counts the incoming bits. An OOS condition is declared when the synchronization state machine is not in the “Sync” state. An OOS condition is terminated when the synchronization state machine is in the “Sync” state.

Bit errors are determined by comparing the incoming data stream bit to the receive pattern generator output. If they do not match, a bit error is declared, and the bit error and bit counts are incremented. If they match, only the bit count is incremented. The bit count and bit error count are not incremented when an OOS condition exists.

### 8.15.4 Pattern Generation

Pattern Generation generates the outgoing test pattern, and passes it onto Error Insertion. The transmit pattern generator is a 32-bit shift register that shifts data from the least significant bit (LSB) or bit 1 to the most significant bit (MSB) or bit 32. The input to bit 1 is the feedback. For a PRBS pattern (generating polynomial  $x^n + x^y + 1$ ), the feedback is an XOR of bit  $n$  and bit  $y$ . For a repetitive pattern (length  $n$ ), the feedback is bit  $n$ . The values for  $n$  and  $y$  are individually programmable. The output of the receive pattern generator is the feedback. If QRSS is enabled, the feedback is an XOR of bits 17 and 20, and the output is forced to one if the next 14 bits are all zeros. QRSS is programmable (on or off). For PRBS and QRSS patterns, the feedback is forced to one if bits 1 through 31 are all zeros. When a new pattern is loaded, the pattern generator is loaded with a pattern value before pattern generation starts. The pattern value is programmable ( $0 - 2^n - 1$ ). When PRBS and QRSS patterns are generated the seed value is all ones.

#### 8.15.4.1 Error Insertion

Error insertion inserts errors into the outgoing pattern data stream. Errors are inserted one at a time. Single bit error insertion can be initiated from the microprocessor interface. If pattern inversion is enabled, the data stream is inverted before the overhead/stuff bits are inserted. Pattern inversion is programmable (on or off).

**8.15.4.2 Performance Monitoring Update**

All counters stop counting at their maximum count. A counter register is updated by asserting (low to high transition) the performance monitoring update signal (PMU). During the counter register update process, the performance monitoring status signal (PMS) is de-asserted. The counter register update process consists of loading the counter register with the current count, resetting the counter, forcing the zero count status indication low for one clock cycle, and then asserting PMS. No events shall be missed during an update procedure.

## 8.16 TRANSMIT PACKET PROCESSOR

The Transmit Packet Processor accepts data from the Transmit FIFO performs bit reordering, FCS processing, packet error insertion, stuffing, packet abort sequence insertion, inter-frame padding, and packet scrambling. The data output from the Transmit Packet Processor to the Transmit Serial Interface is a serial data stream (bit synchronous mode). HDLC processing can be disabled (clear channel enable). Disabling HDLC processing disables FCS processing, packet error insertion, stuffing, packet abort sequence insertion, and inter-frame padding. Only bit reordering and packet scrambling are not disabled.

Bit reordering changes the bit order of each byte. If bit reordering is disabled, the outgoing 8-bit data stream DT[1:8] with DT[1] being the MSB and DT[8] being the LSB is output from the Transmit FIFO with the MSB in TFD[7] (or 15, 23, or 31) and the LSB in TFD[0] (or 8, 16, or 24) of the transmit FIFO data TFD[7:0] 15:8, 23:16, or 31:24). If bit reordering is enabled, the outgoing 8-bit data stream DT[1:8] is output from the Transmit FIFO with the MSB in TFD[0] and the LSB in TFD[7] of the transmit FIFO data TFD[7:0]. In bit synchronous mode, DT [1] is the first bit transmitted.

FCS processing calculates an FCS and appends it to the packet. FCS calculation is a CRC-16 or CRC-32 calculation over the entire packet. The polynomial used for FCS-16 is  $x^{16} + x^{12} + x^5 + 1$ . The polynomial used for FCS-32 is  $x^{32} + x^{26} + x^{23} + x^{22} + x^{16} + x^{12} + x^{11} + x^{10} + x^8 + x^7 + x^5 + x^4 + x^2 + x + 1$ . The FCS is inverted after calculation. The FCS type is programmable. If FCS append is enabled, the calculated FCS is appended to the packet. If FCS append is disabled, the packet is transmitted without an FCS. The FCS append mode is programmable. If packet processing is disabled, FCS processing is not performed.

Packet error insertion inserts errors into the FCS bytes. A single FCS bit is corrupted in each errored packet. The FCS bit corrupted is changed from errored packet to errored packet. Error insertion can be controlled by a register or by the manual error insertion input (LI.TMEI.TMEI). The error insertion initiation type (register or input) is programmable. If a register controls error insertion, the number and frequency of the errors are programmable. If FCS append is disabled, packet error insertion will not be performed. If packet processing is disabled, packet error insertion is not performed.

Stuffing inserts control data into the packet to prevent packet data from mimicking flags. A packet start indication is received, and stuffing is performed until, a packet end indication is received. Bit stuffing consists of inserting a '0' directly following any five contiguous '1's. If packet processing is disabled, stuffing is not performed.

There is at least one flag plus a programmable number of additional flags between packets. The inter-frame fill can be flags or all '1's followed by a start flag. If the inter-frame fill is all '1's, the number of '1's between the end and start flags does not need to be an integer number of bytes, however, there must be at least 15 consecutive '1's between the end and start flags. The inter-frame padding type is programmable. If packet processing is disabled, inter-frame padding is not performed.

Packet abort insertion inserts a packet abort sequences as necessary. If a packet abort indication is detected, a packet abort sequence is inserted and inter-frame padding is done until a packet start flag is detected. The abort sequence is FFh. If packet processing is disabled, packet abort insertion is not performed.

The packet scrambler is a  $x^{43} + 1$  scrambler that scrambles the entire packet data stream. The packet scrambler runs continuously, and is never reset. In bit synchronous mode, scrambling is performed one bit at a time. In byte synchronous mode, scrambling is performed 8 bits at a time. Packet scrambling is programmable.

Once all packet processing has been completed serial data stream is passed on to the Transmit Serial Interface.

## 8.17 RECEIVE PACKET PROCESSOR

The Receive Packet Processor accepts data from the Receive Serial Interface performs packet descrambling, packet delineation, inter-frame fill filtering, packet abort detection, destuffing, packet size checking, FCS error monitoring, FCS byte extraction, and bit reordering. The data coming from the Receive Serial Interface is a serial data stream. Packet processing can be disabled (clear channel enable). Disabling packet processing disables packet delineation, inter-frame fill filtering, packet abort detection, destuffing, packet size checking, FCS error monitoring, and FCS byte extraction. Only packet descrambling and bit reordering are not disabled.

The packet descrambler is a self-synchronous  $x^{43} + 1$  descrambler that descrambles the entire packet data stream. Packet descrambling is programmable. The descrambler runs continuously, and is never reset. The descrambling is performed one bit at a time. Packet descrambling is programmable. If packet processing is disabled, the serial data stream is demultiplexed in to an 8-bit data stream before being passed on.

If packet processing is disabled, a packet boundary is arbitrarily chosen and the data is divided into "packets" of programmable size (dependent on maximum packet size setting). These packets are then passed on to bit reordering with packet start and packet end indications. Data then bypasses packet delineation, inter-frame fill filtering, packet abort detection, destuffing, packet size checking, FCS error monitoring, and FCS byte extraction.

Packet delineation determines the packet boundary by identifying a packet start or end flag. Each time slot is checked for a flag sequence (7Eh). Once a flag is found, it is identified as a start/end flag and the packet boundary is set. The flag check is performed one bit at a time. If packet processing is disabled, packet delineation is not performed.

Inter-frame fill filtering removes the inter-frame fill between packets. When a packet end flag is detected, all data is discarded until a packet start flag is detected. The inter-frame fill can be flags or all '1's. The number of '1's between flags does not need to be an integer number of bytes, and if at least 7 '1's are detected in the first 16 bits after a flag, all data after the flag is discarded until a start flag is detected. There may be only one flag between packets. When the inter-frame fill is flags, the flags may have a shared zero (011111101111110). If there is less than 16 bits between two flags, the data is discarded. If packet processing is disabled, inter-frame fill filtering is not performed.

Packet abort detection searches for a packet abort sequence. Between a packet start flag and a packet end flag, if an abort sequence is detected, the packet is marked with an abort indication, the aborted packet count is incremented, and all subsequent data is discarded until a packet start flag is detected. The abort sequence is seven consecutive ones. If packet processing is disabled, packet abort detection is not performed.

Destuffing removes the extra data inserted to prevent data from mimicking a flag or an abort sequence. A start flag is detected, a packet start is set, the flag is discarded, destuffing is performed until an end flag is detected, a packet end is set, and the flag is discarded. In bit synchronous mode, bit destuffing is performed. Bit destuffing consists of discarding any '0' that directly follows five contiguous '1's. After destuffing is completed, the serial bit stream is demultiplexed into an 8-bit parallel data stream and passed on with packet start, packet end, and packet abort indications. If there is less than eight bits in the last byte, an invalid packet flag is raised, the packet is tagged with an abort indication, and the packet size violation count is incremented. If packet processing is disabled, destuffing is not performed.

Packet size checking checks each packet for a programmable maximum and programmable minimum size. As the packet data comes in, the total number of bytes is counted. If the packet length is below the minimum size limit, the packet is marked with an aborted indication, and the packet size violation count is incremented. If the packet length is above the maximum size limit, the packet is marked with an aborted indication, the packet size violation count is incremented, and all packet data is discarded until a packet start is received. The minimum and maximum lengths include the FCS bytes, and are determined after destuffing has occurred. If packet processing is disabled, packet size checking is not performed.

FCS error monitoring checks the FCS and aborts errored packets. If an FCS error is detected, the FCS errored packet count is incremented and the packet is marked with an aborted indication. If an FCS error is not detected, the receive packet count is incremented. The FCS type (16-bit or 32-bit) is programmable. If FCS processing or packet processing is disabled, FCS error monitoring is not performed.

FCS byte extraction discards the FCS bytes. If FCS extraction is enabled, the FCS bytes are extracted from the packet and discarded. If FCS extraction is disabled, the FCS bytes are stored in the receive FIFO with the packet. If FCS processing or packet processing is disabled, FCS byte extraction is not performed.

Bit reordering changes the bit order of each byte. If bit reordering is disabled, the incoming 8-bit data stream DT[1:8] with DT[1] being the MSB and DT[8] being the LSB is output to the Receive FIFO with the MSB in RFD[7] (or 15, 23, or 31) and the LSB in RFD[0] (or 8, 16, or 24) of the receive FIFO data RFD[7:0] (or 15:8, 23:16, or 31:24). If bit reordering is enabled, the incoming 8-bit data stream DT[1:8] is output to the Receive FIFO with the MSB in RFD[0] and the LSB in RFD[7] of the receive FIFO data RFD[7:0]. DT[1] is the first bit received from the incoming data stream.

Once all of the packet processing has been completed, The 8-bit parallel data stream is demultiplexed into a 32-bit parallel data stream. The Receive FIFO data is passed on to the Receive FIFO with packet start, packet end, packet abort, and modulus indications. At a packet end, the 32-bit word may contain 1, 2, 3, or 4 bytes of data depending on the number of bytes in the packet. The modulus indications indicate the number of bytes in the last data word of the packet.

### 8.18 X.86 ENCODING AND DECODING

X.86 protocol provides a method for encapsulating Ethernet Frame onto LAPS. LAPS provides a HDLC-type framing structure for encapsulation of Ethernet frames, but does not inflict dynamic bandwidth expansion as HDLC does. LAPS encapsulated frames can be used to send data onto a SONET/SDH network. The DS33Z41 expects a byte synchronization signal to provide the byte boundary for the X.86 receiver. This is provided by the RSYNC pin. The functional timing is shown in Figure 11-7. The X.86 transmitter provides a byte boundary indicator with the signal TSYNC. The functional timing is shown in Figure 11-6.

**Figure 8-14 LAPS Encoding of MAC Frames Concept**

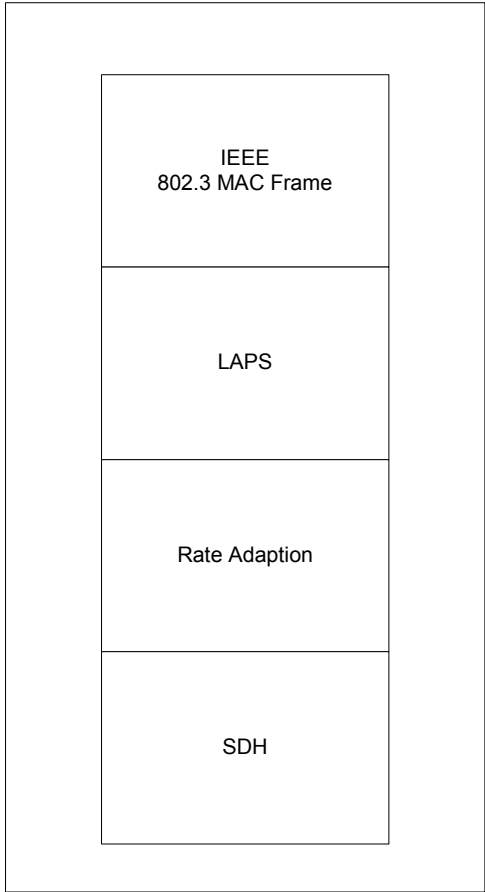
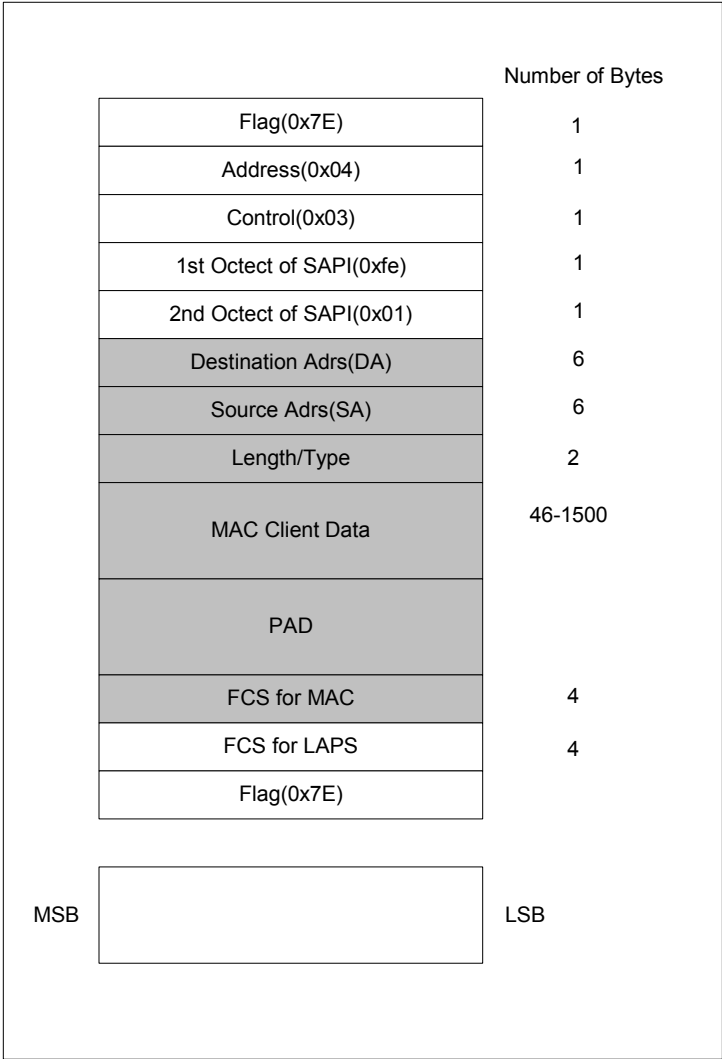




Figure 8-15 X.86 Encapsulation of the MAC field



The DS33Z41 will encode the MAC Frame with the LAPS encapsulation on a complete serial stream if configured for X.86 mode in the register LI.TX86E. The DS33Z41 provides the following functions:

- Control Registers for Address, SAPI, Destination Address, Source Address
- 32 bit FCS enabled
- Programmable  $X^{43}+1$  scrambling

The sequence of processing performed by the receiver is as follows:

- Programmable octets  $X^{43}+1$  descrambling
- Detect the Start Flag (7E)
- Remove Rate adaptation octets 7d, dd.
- Perform transparency-processing 7d, 5e is converted to 7e and 7d, 5d is converted to 7d.
- Check for a valid Address, Control and SAPI fields (LI.TRX86A to LI.TRX86SAPIL)
- Perform FCS checking
- Detect the closing flag.

The X86 received frame is aborted if:

- If 7d,7E is detected. This is an abort packet sequence in X.86
- Invalid FCS is detected
- The received frame has less than 6 octets
- Control, SAPI and address field are mismatched to the programmed value
- Octet 7d and octet other than 5d,5e,7e or dd is detected

For the transmitter if X.86 is enabled the sequence of processing is as follows:

- Construct frame including start flag SAPI, Control and MAC frame
- Calculate FCS
- Perform transparency processing - 7E is translated to 7D5E, 7D is translated to 7D5D
- Append the end flag(7E)
- Scramble the sequence  $X^{43}+1$

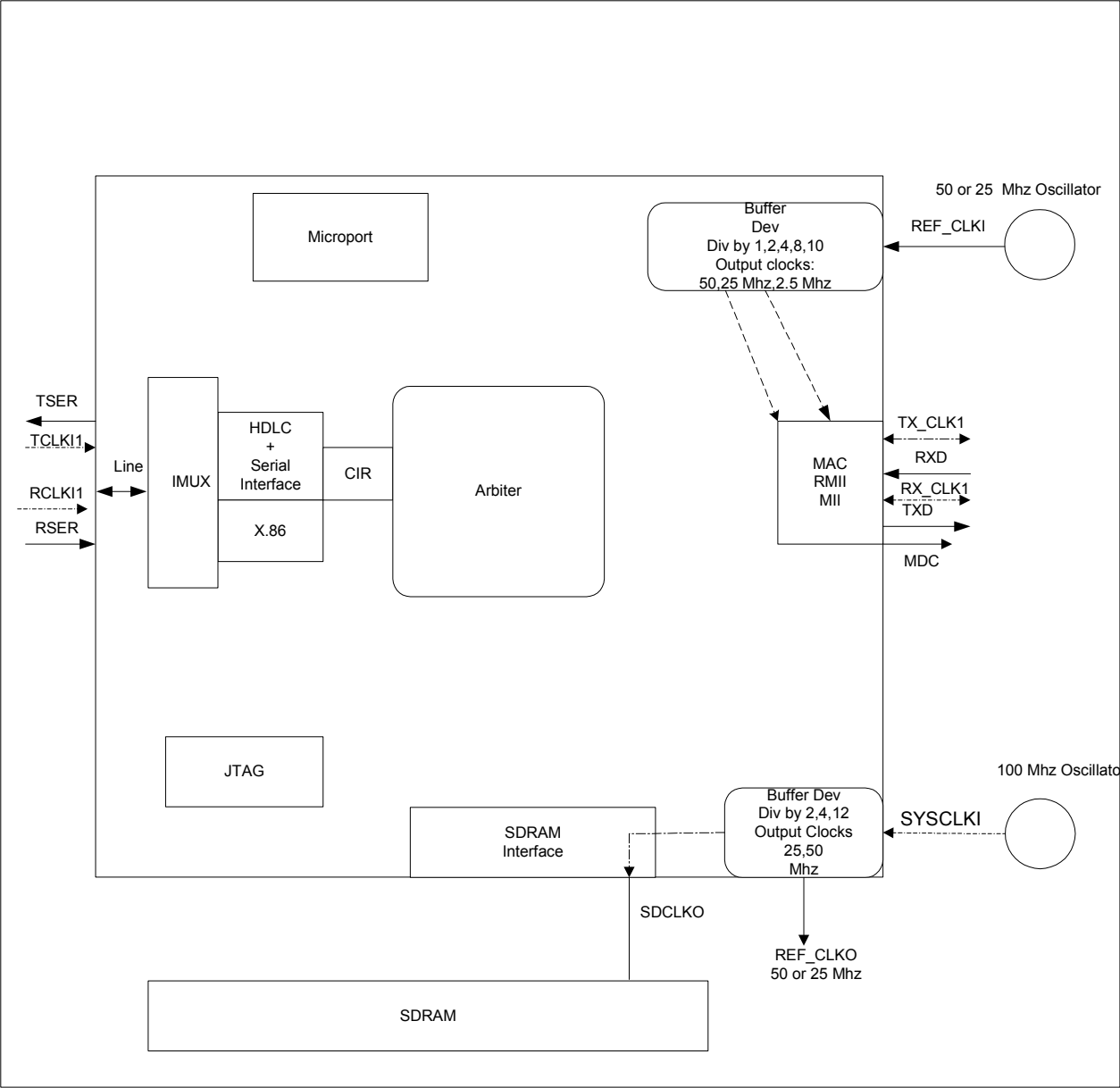
Note that the Serial transmit and receive registers apply to the X.86 implementations with specific exceptions. The exceptions are outlined in the Serial Interface transmit and receive register sections.

## 8.19 COMMITTED INFORMATION RATE CONTROLLER

The DS33Z41 provides a CIR provisioning facility. The CIR can be used to restrict the transport of received MAC data to the serial port at a programmable rate. This is shown in Figure 8-16 CIR in the WAN Transmit Path. The CIR will restrict the data flow from the Receive MAC to Transmit HDLC. This can be used for provisioning and billing functions towards the WAN. The user must set the CIR register to control the amount of data throughput from the MAC to the HDLC/X.86 transmitter. The CIR register is in granularity of 500 Kbit/s with a range of 0 to 52 Mbit/s. The operation of the CIR is as follows:

- The CIR block counts the credits that are accumulated at the end of every 125 msec.
- If data is received and stored in the SDRAM to be sent to the Serial Interface, the interface will request the data if there is a positive credit balance. If the credit balance is negative, transmit interface does not request data.
- New credit balance is calculated:  $\text{credit balance} = \text{old credit balance} - \text{frame size in bytes}$  after the frame is sent.
- The credit balance is incremented every 125 milliseconds by  $\text{CIR}/8$ .
- Credit balances not used in 250 milliseconds are reset to 0.
- The maximum value of CIR can not exceed the transmit line rate.
- If the data rate received from the Ethernet interface is higher than the CIR, the receive queue buffers will fill and the high threshold water mark will invoke flow control to reduce the incoming traffic rate.
- CIR function is only available in data received at the Ethernet Interface to be sent to WAN. There is not CIR functionality for data arriving from the WAN to be sent to the Ethernet Interface.
- Negative credits are not allowed, if there is not a credit balance, no frames are sent until there is a credit balance again.

Figure 8-16 CIR in the WAN Transmit Path



## 9 DEVICE REGISTERS

Ten address lines are used to address the register space. The register Map for the DS33Z41 is shown in Table 9-1. The addressable range for the device is 0000h to 08FFh. Each Register Section is 64 bytes deep. Global Registers are preserved for software compatibility with multiport devices. The Serial Interface (Line) Registers are used to configure the serial port and the associated transport protocol. The Ethernet Interface (Subscriber) registers are used to control and observe the Ethernet port. The registers associated with the MAC must be configured through indirect register write /read access due to the architecture of the device.

When writing to a register input values for unused bits and registers (those designated with “-”) should be zero unless specifically noted otherwise, as these bits and registers are reserved. When a register is read from, the values of the unused bits and registers should be ignored. A latched status bit is set when an event happens and is cleared when read.

The register details are provided in the following tables.

**Table 9-1 Register Address Map**

	<b>Global Registers</b>	<b>Arbiter</b>	<b>BERT</b>	<b>Serial Interface</b>	<b>Ethernet Interface</b>
	0000h – 003Fh	0040h – 007Fh	0080h – 00BFh	-	-
<b>Port 1</b>	-	-	-	00C0h – 013Fh	0140h – 017Fh

Reserved address space: 0180h - 07FFh

## 9.1 Register Bit Maps

Table 9-2, Table 9-3, Table 9-4, Table 9-5, Table 9-6, and Table 9-7 contain the registers of the DS33Z41. Bits that are reserved are noted with a single dash "-". All registers not listed are reserved and should be initialized with a value of 00h for proper operation, unless otherwise noted.

### 9.1.1 Global Register Bit Map

**Table 9-2 Global Register Bit Map**

ADDR	Name	BIT 7	BIT 6	BIT 5	BIT 4	BIT 3	BIT 2	BIT 1	BIT 0
000h	GL.IDRL	ID07	ID06	ID05	ID04	ID03	ID02	ID01	ID00
001h	GL.IDRH	ID15	ID14	ID13	ID12	ID11	ID10	ID09	ID08
002h	GL.CR1	-	-	-	-	-	REF_CLKO	INTM	RST
003h	GL.BLR	-	-	-	-	-	-	-	GL.BLC1
004h	GL.RTCAL	-	-	-	RLCALS1	-	-	-	TLCALS1
005h	GL.SRCALS	-	-	-	-	-	-	REFCLKS	SYSCLS
006h	GL.LIE	-	-	-	LIN1TIE	-	-	-	LIN1RIE
007h	GL.LIS	-	-	-	LIN1TIS	-	-	-	LIN1RIS
008h	GL.SIE	-	-	-	-	-	-	-	SUB1IE
009h	GL.SIS	-	-	-	-	-	-	-	SUB1IS
00Ah	GL.TRQIE	-	-	-	TQ1IE	-	-	-	RQ1IE
00Bh	GL.TRQIS	-	-	-	TQ1IS	-	-	-	RQ1IS
00Ch	GL.IBIE	-	-	-	-	-	-	IMUXIE	BIE
00Dh	GL.IBIS	-	-	-	-	-	-	IIS	BIS
00Eh	GL.CON1	-	-	-	-	-	-	-	LINE1[0]
012h	GL.C1QPR	-	-	-	-	C1MRPRR	C1HWPRR	C1MHPR	C1HRPR
016h	GL.IMXCN	-	T1E1	RXE	SENDE	L4	L3	L2	L1
017h	GL.IMXC	IMUXC7	IMUXC6	IMUXC5	IMUXC4	IMUXC3	IMUXC2	IMUXC1	IMUXC0
018h	GL.IMXSS	ITSYNC4	ITSYNC3	ITSYNC2	ITSYNC1	IRSYNC4	IRSYNC3	IRSYNC2	IRSYNC1
019h	GL.IMXSIE	ITSYNCL4	ITSYNCL3	ITSYNCL2	ITSYNCL1	IRSYNCL4	IRSYNCL3	IRSYNCL2	IRSYNCL1
01Ah	GL.IMXSLS	ITSYNCL4	ITSYNCL3	ITSYNCL2	ITSYNCL1	IRSYNCL4	IRSYNCL3	IRSYNCL2	IRSYNCL1
01Bh	GL.IMXDFD	IMUXDFD7	IMUXDFD6	IMUXDFD5	IMUXDFD4	IMUXDFD3	IMUXDFD2	IMUXDFD1	IMUXDFD0
01Ch	GL.IMXDIE	-	-	-	-	-	-	-	IDDEIE0
01Dh	GL.IMXDDELS	-	-	-	-	-	-	-	IDDELS0
01Eh	GL.IMXOOFIE	TOOFIE4	TOOFIE3	TOOFIE2	TOOFIE1	ROOFIE4	ROOFIE3	ROOFIE2	ROOFIE1
01Fh	GL.IMXOOFLS	TOOFLS4	TOOFLS3	TOOFLS2	TOOFLS1	ROOFL4	ROOFL3	ROOFLS2	ROOFLS1
020h	GL.BISTEN	-	-	-	-	-	-	-	BISTE
021h	GL.BISTPF	-	-	-	-	-	-	BISTDN	BISTPF

1Fh - 3Fh are reserved.

### 9.1.2 Arbiter Register Bit Map

**Table 9-3 Arbiter Register Bit Map**

ADDR	NAME	BIT 7	BIT 6	BIT 5	BIT 4	BIT 3	BIT 2	BIT 1	BIT 0
040h	AR.RQSC1	RQSC1[7]	RQSC1[6]	RQSC1[5]	RQSC1[4]	RQSC1[3]	RQSC1[2]	RQSC1[1]	RQSC1[0]
041h	AR.TQSC1	TQSC1[7]	TQSC1[6]	TQSC1[5]	TQSC1[4]	TQSC1[3]	TQSC1[2]	TQSC1[1]	TQSC1[0]

### 9.1.3 BERT Register Bit Map

**Table 9-4 BERT Register Bit Map**

ADDR	NAME	BIT 7	BIT 6	BIT 5	BIT 4	BIT 3	BIT 2	BIT 1	BIT 0
080h	BCR	-	PMU	RNPL	RPIC	MPR	APRD	TNPL	TPIC
081h	Reserved	-	-	-	-	-	-	-	-
082h	BPCLR	-	QRSS	PTS	PLF4	PLF3	PLF2	PLF1	PLF0
083h	BPCHR	-	-	-	PTF4	PTF3	PTF2	PTF1	PTF0
084h	BSPB0R	BSP7	BSP6	BSP5	BSP4	BSP3	BSP2	BSP1	BSP0
085h	BSPB1R	BSP15	BSP14	BSP13	BSP12	BSP11	BSP10	BSP9	BSP8
086h	BSPB2R	BSP23	BSP22	BSP21	BSP20	BSP19	BSP18	BSP17	BSP16
087h	BSPB3R	BSP31	BSP30	BSP29	BSP28	BSP27	BSP26	BSP25	BSP24
088h	TEICR	-	-	TIER2	TIER1	TIER0	BEI	TSEI	-
08Ah	Reserved	-	-	-	-	-	-	-	-
08Bh	Reserved	-	-	-	-	-	-	-	-
08Ch	BSR	-	-	-	-	PMS	-	<u>BEC</u>	<u>OOS</u>
08Dh	Reserved	-	-	-	-	-	-	-	-
08Eh	BSRL	-	-	-	-	PMSL	<u>BEL</u>	<u>BEC</u> <u>L</u>	<u>OOS</u> <u>L</u>
08Fh	Reserved	-	-	-	-	-	-	-	-
090h	BSRIE	-	-	-	-	PMSIE	BEIE	BECIE	OOSIE
091h	Reserved	-	-	-	-	-	-	-	-
092h	Reserved	-	-	-	-	-	-	-	-
093h	Reserved	-	-	-	-	-	-	-	-
094h	RBECB0R	<u>BEC</u> <u>7</u>	<u>BEC</u> <u>6</u>	<u>BEC</u> <u>5</u>	<u>BEC</u> <u>4</u>	<u>BEC</u> <u>3</u>	<u>BEC</u> <u>2</u>	<u>BEC</u> <u>1</u>	<u>BEC</u> <u>0</u>
095h	RBECB1R	<u>BEC</u> <u>15</u>	<u>BEC</u> <u>14</u>	<u>BEC</u> <u>13</u>	<u>BEC</u> <u>12</u>	<u>BEC</u> <u>11</u>	<u>BEC</u> <u>10</u>	<u>BEC</u> <u>9</u>	<u>BEC</u> <u>8</u>
096h	RBECB2R	<u>BEC</u> <u>23</u>	<u>BEC</u> <u>22</u>	<u>BEC</u> <u>21</u>	<u>BEC</u> <u>20</u>	<u>BEC</u> <u>19</u>	<u>BEC</u> <u>18</u>	<u>BEC</u> <u>17</u>	<u>BEC</u> <u>16</u>
097h	Reserved	-	-	-	-	-	-	-	-
098h	RBCB0	<u>BC</u> <u>7</u>	<u>BC</u> <u>6</u>	<u>BC</u> <u>5</u>	<u>BC</u> <u>4</u>	<u>BC</u> <u>3</u>	<u>BC</u> <u>2</u>	<u>BC</u> <u>1</u>	<u>BC</u> <u>0</u>
099h	RBCB1	<u>BC</u> <u>15</u>	<u>BC</u> <u>14</u>	<u>BC</u> <u>13</u>	<u>BC</u> <u>12</u>	<u>BC</u> <u>11</u>	<u>BC</u> <u>10</u>	<u>BC</u> <u>9</u>	<u>BC</u> <u>8</u>
09Ah	RBCB2	<u>BC</u> <u>23</u>	<u>BC</u> <u>22</u>	<u>BC</u> <u>21</u>	<u>BC</u> <u>20</u>	<u>BC</u> <u>19</u>	<u>BC</u> <u>18</u>	<u>BC</u> <u>17</u>	<u>BC</u> <u>16</u>
09Bh	RBCB3	<u>BC</u> <u>31</u>	<u>BC</u> <u>30</u>	<u>BC</u> <u>29</u>	<u>BC</u> <u>28</u>	<u>BC</u> <u>27</u>	<u>BC</u> <u>26</u>	<u>BC</u> <u>25</u>	<u>BC</u> <u>24</u>
09Ch	Reserved	-	-	-	-	-	-	-	-
09Dh	Reserved	-	-	-	-	-	-	-	-
09Eh	Reserved	-	-	-	-	-	-	-	-
09Fh	Reserved	-	-	-	-	-	-	-	-

## 9.1.4 Serial Interface Register Bit Map

Table 9-5 Serial Interface Register Bit Map

ADDR	NAME	BIT 7	BIT 6	BIT 5	BIT 4	BIT 3	BIT 2	BIT 1	BIT 0
0C0h	Reserved	-	-	-	-	-	-	-	-
0C1h	LI.RSTPD	-	-	-	-	-	-	RESET	-
0C2h	LI.LPBK	-	-	-	-	-	-	-	QLP
0C3h	Reserved	-	-	-	-	-	-	-	-
0C4h	LI.TPPCL	-	-	TFAD	TF16	TIFV	TSD	TBRE	-
0C5h	LI.TIFGC	TIFG7	TIFG6	TIFG5	TIFG4	TIFG3	TIFG2	TIFG1	TIFG0
0C6h	LI.TEPLC	TPEN7	TPEN6	TPEN5	TPEN4	TPEN3	TPEN2	TPEN1	TPEN0
0C7h	LI.TEPHC	MEIMS	TPER6	TPER5	TPER4	TPER3	TPER2	TPER1	TPER0
0C8h	LI.TPPSR	-	-	-	-	-	-	-	<u>TEPF</u>
0C9h	LI.TPPSRL	-	-	-	-	-	-	-	<u>TEPFL</u>
0CAh	LI.TPPSRIE	-	-	-	-	-	-	-	TEPFIE
0CBh	Reserved	-	-	-	-	-	-	-	-
0CCh	LI.TPCR0	<u>TPC7</u>	<u>TPC6</u>	<u>TPC5</u>	<u>TPC4</u>	<u>TPC3</u>	<u>TPC2</u>	<u>TPC1</u>	<u>TPC0</u>
0CDh	LI.TPCR1	<u>TPC15</u>	<u>TPC14</u>	<u>TPC13</u>	<u>TPC12</u>	<u>TPC11</u>	<u>TPC10</u>	<u>TPC9</u>	<u>TPC8</u>
0CEh	LI.TPCR2	<u>TPC23</u>	<u>TPC22</u>	<u>TPC21</u>	<u>TPC20</u>	<u>TPC19</u>	<u>TPC18</u>	<u>TPC17</u>	<u>TPC16</u>
0CFh	Reserved	-	-	-	-	-	-	-	-
0D0h	LI.TBCR0	<u>TBC7</u>	<u>TBC6</u>	<u>TBC5</u>	<u>TBC4</u>	<u>TBC3</u>	<u>TBC2</u>	<u>TBC1</u>	<u>TBC0</u>
0D1h	LI.TBCR1	<u>TBC15</u>	<u>TBC14</u>	<u>TBC13</u>	<u>TBC12</u>	<u>TBC11</u>	<u>TBC10</u>	<u>TBC9</u>	<u>TBC8</u>
0D2h	LI.TBCR2	<u>TBC23</u>	<u>TBC22</u>	<u>TBC21</u>	<u>TBC20</u>	<u>TBC19</u>	<u>TBC18</u>	<u>TBC17</u>	<u>TBC16</u>
0D3h	LI.TBCR3	<u>TBC31</u>	<u>TBC30</u>	<u>TBC29</u>	<u>TBC28</u>	<u>TBC27</u>	<u>TBC26</u>	<u>TBC25</u>	<u>TBC24</u>
0D4h	LI.TMEI	-	-	-	-	-	-	-	TMEI
0D5h	Reserved	-	-	-	-	-	-	-	-
0D6h	LI.THPMUU	-	-	-	-	-	-	-	TPMUU
0D7h	LI.THPMUS	-	-	-	-	-	-	-	TPMUS
0D8h	LI.TX86EDE	-	-	-	-	-	-	-	X86ED
0D9h	LI.TRX86A	X86TRA7	X86TRA6	X86TRA5	X86TRA4	X86TRA3	X86TRA2	X86TRA1	X86TRA0
0DAh	LI.TRX8C	X86TRC7	X86TRC6	X86TRC5	X86TRC4	X86TRC3	X86TRC2	X86TRC1	X86TRC0
0DBh	LI.TRX86SAPIH	TRSAPIH7	TRSAPIH6	TRSAPIH5	TRSAPIH4	TRSAPIH3	TRSAPIH2	TRSAPIH1	TRSAPIH0
0DCh	LI.TRX86SAPIL	TRSAPIL7	TRSAPIL6	TRSAPIL5	TRSAPIL4	TRSAPIL3	TRSAPIL2	TRSAPIL1	TRSAPIL0
0DDh	LI.CIR	CIRE	CIR6	CIR5	CIR4	CIR3	CIR2	CIR1	CIR0
100h	Reserved	-	-	-	-	-	-	-	-
101h	LI.RPPCL	-	-	RFPD	RF16	RFED	RDD	RBRE	RCCE
102h	LI.RMPSC	RMX7	RMX6	RMX5	RMX4	RMX3	RMX2	RMX1	RMX0
103h	LI.RMPSCH	RMX15	RMX14	RMX13	RMX12	RMX11	RMX10	RMX9	RMX8



ADDR	NAME	BIT 7	BIT 6	BIT 5	BIT 4	BIT 3	BIT 2	BIT 1	BIT 0
104h	LI.RPPSR	-	-	-	-	-	REPC	RAPC	RSPC
105h	LI.RPPSRL	REPL	RAPL	RIPDL	RSPDL	RLPDL	REPL	RAPCL	RSPCL
106h	LI.RPPSRIE	REPIE	RAPIE	RIPDIE	RSPDIE	RLPDIE	REPCIE	RAPCIE	RSPCIE
107h	Reserved								
108h	LI.RPCB0	RPC7	RPC6	RPC5	RPC4	RPC3	RPC2	RPC1	RPC0
109h	LI.RPCB1	RPC15	RPC14	RPC13	RPC12	RPC11	RPC10	RPC09	RPC08
10Ah	LI.RPCB2	RPC23	RPC22	RPC21	RPC20	RPC19	RPC18	RPC17	RPC16
10Ch	LI.RFPCB0	RFPC7	RFPC6	RFPC5	RFPC4	RFPC3	RFPC2	RFPC1	RFPC0
10Dh	LI.RFPCB1	RFPC15	RFPC14	RFPC13	RFPC12	RFPC11	RFPC10	RFPC9	RFPC8
10Eh	LI.RFPCB2	RFPC23	RFPC22	RFPC21	RFPC20	RFPC19	RFPC18	RFPC17	RFPC16
10Fh	Reserved								
110h	LI.RAPCB0	RAPC7	RAPC6	RAPC5	RAPC4	RAPC3	RAPC2	RAPC1	RAPC0
111h	LI.RAPCB1	RAPC15	RAPC14	RAPC13	RAPC12	RAPC11	RAPC10	RAPC9	RAPC8
112h	LI.RAPCB2	RAPC23	RAPC22	RAPC21	RAPC20	RAPC19	RAPC18	RAPC17	RAPC16
113h	Reserved	-	-	-	-	-	-	-	-
114h	LI.RSPCB0	RSPC7	RSPC6	RSPC5	RSPC4	RSPC3	RSPC2	RSPC1	RSPC0
115h	LI.RSPCB1	RSPC15	RSPC14	RSPC13	RSPC12	RSPC11	RSPC10	RSPC9	RSPC8
116h	LI.RSPCB2	RSPC23	RSPC22	RSPC21	RSPC20	RSPC19	RSPC18	RSPC17	RSPC16
118h	LI.RBC0	RBC7	RBC6	RBC5	RBC4	RBC3	RBC2	RBC1	RBC0
119h	LI.RBC1	RBC15	RBC14	RBC13	RBC12	RBC11	RBC10	RBC9	RBC8
11Ah	LI.RBC2	RBC23	RBC22	RBC21	RBC20	RBC19	RBC18	RBC17	RBC16
11Bh	LI.RBC3	RBC31	RBC30	RBC29	RBC28	RBC27	RBC26	RBC25	RBC24
11Ch	LI.RAC0	REBC7	REBC6	REBC5	REBC4	REBC3	REBC2	REBC1	REBC0
11Dh	LI.RAC1	REBC15	REBC14	REBC13	REBC12	REBC11	REBC10	REBC9	REBC8
11Eh	LI.RAC2	REBC23	REBC22	REBC21	REBC20	REBC19	REBC18	REBC17	REBC16
11Fh	LI.RAC3	REBC31	REBC30	REBC29	REBC28	REBC27	REBC26	REBC25	REBC24
120h	LI.RHPMUU	-	-	-	-	-	-	-	RPMUU
121h	LI.RHPMUS	-	-	-	-	-	-	-	RPMUUS
122h	LI.RX86S	-	-	-	-	SAPIHNE	SAPILNE	CNE	ANE
123h	LI.RX86LSIE	-	-	-	-	SAPINE01IM	SAPINEFEIM	CNE3LIM	ANE4IM
124h	LI.TQLT	TQLT7	TQLT6	TQLT5	TQLT4	TQLT3	TQLT2	TQLT1	TQLT0
125h	LI.TQHT	TQHT7	TQHT6	TQHT5	TQHT4	TQHT3	TQHT2	TQHT1	TQHT0
126h	LI.TQTIE	-	-	-	-	TFOVFIE	TQOVFIE	TQHTIE	TQLTIE
127h	LI.TQCTLs	-	-	-	-	TFOVFLS	TQOVFLS	TQHTLS	TQLTLS

0DEh – 0FFh, 128h – 13Fh are reserved.

## Ethernet Interface Register Bit Map

Table 9-6 Ethernet Interface Register Bit Map

ADDR	NAME	BIT 7	BIT 6	BIT 5	BIT 4	BIT 3	BIT 2	BIT 1	BIT 0
140h	SU.MACRADL	MACRA7	MACRA6	MACRA5	MACRA4	MACRA3	MACRA2	MACRA1	MACRA0
141h	SU.MACRADH	MACRA15	MACRA14	MACRA13	MACRA12	MACRA11	MACRA10	MACRA09	MACRA08
142h	SU.MACRD0	MACRD7	MACRD6	MACRD5	MACRD4	MACRD3	MACRD2	MACRD1	MACRD0
143h	SU.MACRD1	MACRD15	MACRD14	MACRD13	MACRD12	MACRD11	MACRD10	MACRD9	MACRD8
144h	SU.MACRD2	MACRD23	MACRD22	MACRD21	MACRD20	MACRD19	MACRD18	MACRD17	MACRD16
145h	SU.MACRD3	MACRD31	MACRD30	MACRD29	MACRD28	MACRD27	MACRD26	MACRD25	MACRD24
146h	SU.MACWD0	MACWD7	MACWD6	MACWD5	MACWD4	MACWD3	MACWD2	MACWD1	MACWD0
147h	SU.MACWD1	MACWD15	MACWD14	MACWD13	MACWD12	MACWD11	MACWD10	MACWD09	MACWD08
148h	SU.MACWD2	MACWD23	MACWD22	MACWD21	MACWD20	MACWD19	MACWD18	MACWD17	MACWD16
149h	SU.MACWD3	MACD31	MACD30	MACD29	MACD28	MACD27	MACD26	MACD25	MACD24
14Ah	SU.MACAWL	MACAW 7	MACAW 6	MACAW 5	MACAW4	MACAW3	MACAW2	MACAW1	MACAW0
14Bh	SU.MACAWH	MACAW 15	MACAW 14	MACAW 13	MACAW12	MACAW11	MACAW10	MACAW9	MACAW8
14Ch	SU.MACRWC	-	-	-	-	-	-	MCRW	MCS
14Dh	RESERVED	-	-	-	-	-	-	-	-
14Eh	RESERVED	-	-	-	-	-	-	-	-
14Fh	SU.LPBK	-	-	-	-	-	-	-	QLP
150h	SU.GCR	-	-	-	-	CRCS	H10S	ATFLOW	JAME
151h	SU.TFRC	-	-	-	-	NCFQ	TPDFCB	TPRHBC	TPRCB
152h	SU.TFSL	UR	EC	LC	ED	LOC	NOC	-	FABORT
153h	SU.TFSH	PR	HBF	CC3	CC2	CC1	CC0	LCO	DEF
154h	SU.RFSB0	FL7	FL6	FL5	FL4	FL3	FL2	FL1	FI0
155h	SU.RFSB1	RF	WT	FL13	FL12	FL11	FL10	FL9	FI8
156h	SU.RFSB2	-	-	CRCE	DB	MIIE	FT	CS	FTL
157h	SU.RFSB3	MF	-	-	BF	MCF	UF	CF	LE
158h	SU.RMFSRL	RMPS7	RMPS6	RMPS5	RMPS4	RMPS3	RMPS2	RMPS1	RMPS0
159h	SU.RMFSRH	RMPS15	RMPS14	RMPS13	RMPS12	RMPS11	RMPS10	RMPS09	RMPS08
15Ah	SU.RQLT	RQLT7	RQLT6	RQLT5	RQLT4	RQLT3	RQLT2	RQLT1	RQLT0
15Bh	SU.RQHT	RQHT7	RQHT6	RQHT5	RQHT4	RQHT3	RQHT2	RQHT1	RQHT0
15Ch	SU.QRIE	-	-	-	-	RFOVFIE	RQVFIE	RQLTIE	RQHTIE
15Dh	SU.QCRLS	-	-	-	-	RFOVFLS	RQOVFLS	RQHTLS	RQLTLS
15Eh	SU.RFRC	-	UCFR	CFRR	LERR	CRCERR	DBR	MIIER	BFR

15Fh – 17Fh are reserved.

**Note:** the address locations in the above table are for Ethernet Interface 1.

## 9.1.5 MAC Register Bit Map

Table 9-7 MAC Indirect Register Bit Map

ADDR	NAME	BIT 7	BIT 6	BIT 5	BIT 4	BIT 3	BIT 2	BIT 1	BIT 0
0000h	SU.MACCR 31:24	-	-	-	HDB	PS	-	-	-
0001h	23:16	DRO	OML1	OML0	F	-	-	-	-
0002h	15:8	-	-	-	LCC	-	DRTY	-	ASTP
0003h	7:0	BOLMT1	BOLMT0	DC	-	TE	RE	-	-
0004h	SU.MACAH 31:24	-	-	-	-	-	-	-	-
0005h	23:16	-	-	-	-	-	-	-	-
0006h	15:8	PADR47	PADR46	PADR45	PADR44	PADR43	PADR42	PADR41	PADR40
0007h	7:0	PADR39	PADR38	PADR37	PADR36	PADR35	PADR34	PADR33	PADR32
0008h	SU.MACAL 31:24	PADR31	PADR30	PADR29	PADR28	PADR27	PADR26	PADR25	PADR24
0009h	23:16	PADR23	PADR22	PADR21	PADR20	PADR19	PADR18	PADR17	PADR16
000Ah	15:8	PADR15	PADR14	PADR13	PADR12	PADR11	PADR10	PADR09	PADR08
000Bh	7:0	PADR07	PADR06	PADR05	PADR04	PADR03	PADR02	PADR01	PADR00
000Ch	Reserved	-	-	-	-	-	-	-	-
000Dh	Reserved	-	-	-	-	-	-	-	-
000Eh	Reserved	-	-	-	-	-	-	-	-
000Fh	Reserved	-	-	-	-	-	-	-	-
0010h	Reserved	-	-	-	-	-	-	-	-
0011h	Reserved	-	-	-	-	-	-	-	-
0012h	Reserved	-	-	-	-	-	-	-	-
0013h	Reserved	-	-	-	-	-	-	-	-
0014h	SU.MACMIA 31:24	-	-	-	-	-	-	-	-
0015h	23:16	-	-	-	-	-	-	-	-
0016h	15:8	PHYA4	PHYA3	PHYA2	PHYA1	PHYA0	MIIA4	MIIA3	MIIA2
0017h	7:0	MIIA1	MIIA0	-	-	-	-	MIIW	MIIB
0018h	SU.MACMIID 31:24	-	-	-	-	-	-	-	-
0019h	23:16	-	-	-	-	-	-	-	-
001Ah	15:8	MIID15	MIID14	MIID13	MIID12	MIID11	MIID10	MIID09	MIID08
001Bh	7:0	MIID07	MIID06	MIID05	MIID04	MIID03	MIID02	MIID01	MIID00
001Ch	SU.MACFCR 31:24	PT15	PT14	PT13	PT12	PT11	PT10	PT09	PT08
001Dh	23:16	PT07	PT06	PT05	PT04	PT03	PT02	PT01	PT00
001Eh	15:8	-	-	-	-	-	-	-	-
001Fh	7:0	-	-	-	-	-	PCF	FCE	FCB
100h	SU.MMCCTRL 31:24	-	-	-	-	-	-	-	-
101h	23:16	-	-	-	-	-	-	-	-
102h	15:8	-	-	MXFRM10	MXFRM9	MXFRM8	MXFRM7	MXFRM6	MXFRM5
103h	7:0	MXFRM4	MXFRM3	MXFRM2	MXFRM1	MXFRM0	-	-	-
10Ch	RESERVED – initialize to FF	-	-	-	-	-	-	-	-
10Dh	RESERVED – initialize to FF	-	-	-	-	-	-	-	-
10Eh	RESERVED – initialize to FF	-	-	-	-	-	-	-	-
10Fh	RESERVED – initialize to FF	-	-	-	-	-	-	-	-

ADDR	NAME	BIT 7	BIT 6	BIT 5	BIT 4	BIT 3	BIT 2	BIT 1	BIT 0
110h	RESERVED – initialize to FF	-	-	-	-	-	-	-	-
111h	RESERVED – initialize to FF	-	-	-	-	-	-	-	-
112h	RESERVED – initialize to FF	-	-	-	-	-	-	-	-
113h	RESERVED – initialize to FF	-	-	-	-	-	-	-	-
200h	SU.RxFrmCtr 31:24	RXFRMC31	RXFRMC30	RXFRMC29	RXFRMC28	RXFRMC27	RXFRMC26	RXFRMC25	RXFRMC24
201h	23:16	RXFRMC23	RXFRMC22	RXFRMC21	RXFRMC20	RXFRMC19	RXFRMC18	RXFRMC17	RXFRMC16
202h	15:8	RXFRMC15	RXFRMC14	RXFRMC13	RXFRMC12	RXFRMC11	RXFRMC10	RXFRMC9	RXFRMC8
203h	7:0	RXFRMC7	RXFRMC6	RXFRMC5	RXFRMC4	RXFRMC3	RXFRMC2	RXFRMC1	RXFRMC0
204h	SU.RxFrmOKCtr 31:24	RXFRMOK31	RXFRMOK30	RXFRMOK29	RXFRMOK28	RXFRMOK27	RXFRMOK26	RXFRMOK25	RXFRMOK24
205h	23:16	RXFRMOK23	RXFRMOK22	RXFRMOK21	RXFRMOK20	RXFRMOK19	RXFRMOK18	RXFRMOK17	RXFRMOK16
206h	15:8	RXFRMOK15	RXFRMOK14	RXFRMOK13	RXFRMOK12	RXFRMOK11	RXFRMOK10	RXFRMOK9	RXFRMOK8
207h	7:0	RXFRMOK7	RXFRMOK6	RXFRMOK5	RXFRMOK4	RXFRMOK3	RXFRMOK2	RXFRMOK1	RXFRMOK0
300h	SU.TxFrmCtr	TXFRMC31	TXFRMC30	TXFRMC29	TXFRMC28	TXFRMC27	TXFRMC26	TXFRMC25	TXFRMC24
301h	23:16	TXFRMC23	TXFRMC22	TXFRMC21	TXFRMC20	TXFRMC19	TXFRMC18	TXFRMC17	TXFRMC16
302h	15:8	TXFRMC15	TXFRMC14	TXFRMC13	TXFRMC12	TXFRMC11	TXFRMC10	TXFRMC9	TXFRMC8
303h	7:0	TXFRMC7	TXFRMC6	TXFRMC5	TXFRMC4	TXFRMC3	TXFRMC2	TXFRMC1	TXFRMC0
308h	SU.TxBytesCtr	TXBYTEC31	TXBYTEC30	TXBYTEC29	TXBYTEC28	TXBYTEC27	TXBYTEC26	TXBYTEC25	TXBYTEC24
309h	23:16	TXBYTEC23	TXBYTEC22	TXBYTEC21	TXBYTEC20	TXBYTEC19	TXBYTEC18	TXBYTEC17	TXBYTEC16
30Ah	15:8	TXBYTEC15	TXBYTEC14	TXBYTEC13	TXBYTEC12	TXBYTEC11	TXBYTEC10	TXBYTEC9	TXBYTEC8
30Bh	7:0	TXBYTEC7	TXBYTEC6	TXBYTEC5	TXBYTEC4	TXBYTEC3	TXBYTEC2	TXBYTEC1	TXBYTEC0
30Ch	SU.TxBytesOkCtr	TXBYTEOK31	TXBYTEOK30	TXBYTEOK29	TXBYTEOK28	TXBYTEOK27	TXBYTEOK26	TXBYTEOK25	TXBYTEOK24
30Dh	23:16	TXBYTEOK23	TXBYTEOK22	TXBYTEOK21	TXBYTEOK20	TXBYTEOK19	TXBYTEOK18	TXBYTEOK17	TXBYTEOK16
30Eh	15:8	TXBYTEOK15	TXBYTEOK14	TXBYTEOK13	TXBYTEOK12	TXBYTEOK11	TXBYTEOK10	TXBYTEOK9	TXBYTEOK8
30Fh	7:0	TXBYTEOK7	TXBYTEOK6	TXBYTEOK5	TXBYTEOK4	TXBYTEOK3	TXBYTEOK2	TXBYTEOK1	TXBYTEOK0
334h	SU.TxFrmUndr	TXFRMU31	TXFRMU30	TXFRMU29	TXFRMU28	TXFRMU27	TXFRMU26	TXFRMU25	TXFRMU24
335h	23:16	TXFRMU23	TXFRMU22	TXFRMU21	TXFRMU20	TXFRMU19	TXFRMU18	TXFRMU17	TXFRMU16
336h	15:8	TXFRMU15	TXFRMU14	TXFRMU13	TXFRMU12	TXFRMU11	TXFRMU10	TXFRMU9	TXFRMU8
337h	7:0	TXFRMU7	TXFRMU6	TXFRMU5	TXFRMU4	TXFRMU3	TXFRMU2	TXFRMU1	TXFRMU0
338h	SU.TxBdFrmCtr	TXFRMBD31	TXFRMBD30	TXFRMBD29	TXFRMBD28	TXFRMBD27	TXFRMBD26	TXFRMBD25	TXFRMBD24
339h	23:16	TXFRMBD23	TXFRMBD22	TXFRMBD21	TXFRMBD20	TXFRMBD19	TXFRMBD18	TXFRMBD17	TXFRMBD16
33Ah	15:8	TXFRMBD15	TXFRMBD14	TXFRMBD13	TXFRMBD12	TXFRMBD11	TXFRMBD10	TXFRMBD9	TXFRMBD8
33Bh	7:0	TXFRMBD7	TXFRMBD6	TXFRMBD5	TXFRMBD4	TXFRMBD3	TXFRMBD2	TXFRMBD1	TXFRMBD0

Note that the addresses in the table above are the indirect addresses that must be provided to the SU.MACAWH and SU.MACAWL. All unused and reserved locations must be initialized to zero for proper operation unless specifically noted otherwise.

### 9.2 Global Register Definitions

Functions contained in the global registers include: framer reset, LIU reset, device ID, BERT interrupt status, framer interrupt status, IBO configuration, MCLK configuration, and BPCLK configuration. These registers are preserved to provide code compatibility with the multiport devices in this product family. The global registers bit descriptions are presented below.

Register Name: **GL.IDRL**  
 Register Description: **Global ID Low Register**  
 Register Address: **00h**

Bit #	7	6	5	4	3	2	1	0
Name	<u>ID07</u>	<u>ID06</u>	<u>ID05</u>	<u>ID04</u>	<u>ID03</u>	<u>ID02</u>	<u>ID01</u>	<u>ID00</u>
Default	0	0	1	1	0	0	0	0

- Bit 7: ID07** Reserved for future use
- Bit 6: ID06** Reserved for future use
- Bit 5: ID05** If this bit is set the device contains a RMII interface
- Bit 4: ID04** If this bit is set the device contains a MII interface
- Bit 3: ID03** If this bit is set the device contains an Ethernet PHY
- Bits 0-2: ID00-ID02** A three-bit count that is equal to 000b for the first die revision, and is incremented with each successive die revision. May not match the two-letter die revision code on the top brand of the device.

Register Name: **GL.IDRH**  
 Register Description: **Global ID High Register**  
 Register Address: **01h**

Bit #	7	6	5	4	3	2	1	0
Name	<u>ID15</u>	<u>ID14</u>	<u>ID13</u>	<u>ID12</u>	<u>ID11</u>	<u>ID10</u>	<u>ID09</u>	<u>ID08</u>
Default	0	0	0	0	0	0	1	1

- Bits 5-7: ID13-15** Number of ports in the device – 1.
- Bit 4: ID12** If this bit is set the device has LIU functionality
- Bit 3: ID11** If this bit is set the device has a framer
- Bit 2: ID10** Reserved for future use
- Bit 1: ID09** If this bit is set the device has HDLC or X.86 encapsulation
- Bit 0: ID08** If this bit is set the device has inverse multiplexing functionality

Register Name: **GL.CR1**  
 Register Description: **Global Control Register 1**  
 Register Address: **02h**

Bit #	7	6	5	4	3	2	1	0
Name	-	-	-	-	-	REF_CLKO	INTM	RST
Default						0	0	0

**Bit 2: REF\_CLKO OFF (REF\_CLKO)** This bit determines the REF\_CLKO output mode.  
 1 = REF\_CLKO is disabled and outputs an active low signal.  
 0 = REF\_CLKO is active and in accordance with RMII/MII Selection

**Bit 1:  $\overline{\text{INT}}$  pin mode (INTM)** This bit determines the inactive mode of the  $\overline{\text{INT}}$  pin. The  $\overline{\text{INT}}$  pin always drives low when active.  
 1 = Pin is high impedance when not active  
 0 = Pin drives high when not active

**Bit 0: Reset (RST).** When this bit is set to 1, all of the internal data path and status and control registers (except this RST bit), on all ports, are reset to their default state. This bit must be set high for a minimum of 100ns.  
 0 = Normal operation  
 1 = Reset and force all internal registers to their default values

Register Name: **GL.BLR**  
 Register Description: **Global BERT Connect Register**  
 Register Address: **03h**

Bit #	7	6	5	4	3	2	1	0
Name	-	-	-	-	-	-	-	BLC1
Default	0	0	0	0	0	0	0	0

**Bit 0: BERT Connect 1 (BLC1)** If this bit is set to 1, the BERT is connected to Serial Interface 1.

The BERT transmitter is connected to the transmit serial port and the BERT receive to the receive serial port. When the BERT is connected, normal data transfer is interrupted. Note that connecting the BERT overrides a connection to the Serial Interface, if a connection exists. When the BERT is disconnected, the connection is restored.

Register Name: **GL.RTCAL**  
 Register Description: **Global Receive and Transmit Serial Port Clock Activity Latched Status**  
 Register Address: **04h**

Bit #	7	6	5	4	3	2	1	0
Name	-	-	-	RLCAL1	-	-	-	TLCALS1
Default	0	0	0	0	0	0	0	0

**Bit 4: Receive Serial Interface Clock Activity Latched Status 1 (RLCAL1)** This bit is set to 1 if the receive clock for Serial Interface 1 has activity. This bit is cleared upon read.

**Bit 0: Transmit Serial Interface Clock Activity Latched Status 1 (TLCALS1)** This bit is set to 1 if the transmit clock for Serial Interface 1 has activity. This bit is cleared upon read.

Register Name: **GL.SRCALS**  
 Register Description: **Global SDRAM Reference Clock Activity Latched Status**  
 Register Address: **05h**

Bit #	7	6	5	4	3	2	1	0
Name	-	-	-	-	-	-	REFCLKS	SYSCLS
Default	0	0	0	0	0	0	0	0

**Bit 1: Reference Clock Activity Latched Status (REFCLKS)** This bit is set to 1 if REF\_CLK has activity. This bit is cleared upon read.

**Bit 0: System Clock Input Latched Status (SYSCLS)** This bit is set to 1 if SYSCLKI has activity. This bit is cleared upon read.

Register Name: **GL.LIE**  
 Register Description: **Global Serial Interface Interrupt Enable**  
 Register Address: **06h**

Bit #	7	6	5	4	3	2	1	0
Name	-	-	-	LIN1TIE	-	-	-	LIN1RIE
Default	0	0	0	0	0	0	0	0

**Bit 4: Serial Interface 1 TX Interrupt Enable (LINE1TIE)** Setting this bit to 1 enables an interrupt on LIN1TIS

**Bit 0: Serial Interface 1 RX Interrupt Enable (LINE1RIE)** Setting this bit to 1 enables an interrupt on LIN1RIS

Register Name: **GL.LIS**  
 Register Description: **Global Serial Interface Interrupt Status**  
 Register Address: **07h**

Bit #	7	6	5	4	3	2	1	0
Name	-	-	-	LIN1TIS	-	-	-	LIN1RIS
Default	0	0	0	0	0	0	0	0

**Bit 4: Serial Interface 1 TX Interrupt Status (LIN1TIS)** This bit is set if Serial Interface 1 Transmit has an enabled interrupt generating event. Serial Interface interrupts consist of HDLC interrupts and X.86 interrupts.

**Bit 0: Serial Interface 1 RX Interrupt Status (LIN1RIS)** This bit is set if Serial Interface 1 Receive has an enabled interrupt generating event. Serial Interface interrupts consist of HDLC interrupts and X.86 interrupts.

Register Name: **GL.SIE**  
 Register Description: **Global Ethernet Interface Interrupt Enable**  
 Register Address: **08h**

Bit #	7	6	5	4	3	2	1	0
Name	-	-	-	-	-	-	-	SUB1IE
Default	0	0	0	0	0	0	0	0

**Bit 0: Ethernet Interface 1 Interrupt Enable (SUB1IE)** Setting this bit to 1 enables an interrupt on SUB1S.

Register Name: **GL.SIS**  
 Register Description: **Global Ethernet Interface Interrupt Status**  
 Register Address: **09h**

Bit #	7	6	5	4	3	2	1	0
Name	-	-	-	-	-	-	-	SUB1IS
Default	0	0	0	0	0	0	0	0

**Bit 0: Ethernet Interface 1 Interrupt Status (SUB1IS)** This bit is set to 1 if Ethernet Interface 1 has an enabled interrupt generating event. The Ethernet Interface consists of the MAC and The RMII/MII port.



Register Name: **GL.TRQIE**  
 Register Description: **Global Transmit Receive Queue Interrupt Enable**  
 Register Address: **0Ah**

Bit #	7	6	5	4	3	2	1	0
Name	-	-	-	TQ1IE	-	-	-	RQ1IE
Default	0	0	0	0	0	0	0	0

**Bit 4: Transmit Queue 1 Interrupt Enable (TQ1IE)** Setting this bit to 1 enables an interrupt on TQ1IS.

**Bit 0: Receive Queue 1 Interrupt Enable (RQ1IE)** Setting this bit to 1 enables an interrupt on RQ1IS.

Register Name: **GL.TRQIS**  
 Register Description: **Global Transmit Receive Queue Interrupt Status**  
 Register Address: **0Bh**

Bit #	7	6	5	4	3	2	1	0
Name	-	-	-	TQ1IS	-	-	-	RQ1IS
Default	0	0	0	0	0	0	0	0

**Bit 4: Transmit Queue 1 Interrupt Status (TQ1IS)** If this bit is set to 1, the Transmit Queue 1 has interrupt status event. Transmit queue events are transmit queue crossing thresholds and queue overflows.

**Bit 0: Receive Queue 1 Interrupt Status (RQ1IS)** If this bit is set to 1, the Receive Queue 1 has interrupt status event. Receive queue events are transmit queue crossing thresholds and queue overflows.

Register Name: **GL.IBIE**  
 Register Description: **Global IMUX and BERT Interrupt Enable**  
 Register Address: **0Ch**

Bit #	7	6	5	4	3	2	1	0
Name	-	-	-	-	-	-	IMUXIE	BIE
Default	0	0	0	0	0	0	0	0

**Bit 1: IMUX Interrupt Enable (IMUXIE)** Setting this bit to 1 enables an interrupt on IIS.

**Bit 0: BERT Interrupt Enable (BIE)** Setting this bit to 1 enables an interrupt on BIS.

Register Name: **GL.IBIS**  
 Register Description: **Global IMUX and BERT Interrupt Status**  
 Register Address: **0Dh**

Bit #	7	6	5	4	3	2	1	0
Name	-	-	-	-	-	-	IIS	BIS
Default	0	0	0	0	0	0	0	0

**Bit 1: IMUX Interrupt Status (IIS)** This bit is set to 1 if the IMUX has an enabled interrupt generating event.

**Bit 0: BERT Interrupt Status (BIS)** This bit is set to 1 if the BERT has an enabled interrupt generating event.

Register Name: **GL.CON1**  
 Register Description: **Connection Register for Ethernet Interface 1**  
 Register Address: **0Eh**

Bit #	7	6	5	4	3	2	1	0
Name	-	-	-	-	-	-	-	LINE1[0]
Default	0	0	0	0	0	0	0	1

**Bit 0: LINE1[0]** This bit is preserved to provide software compatibility with multiport devices. The LINE1[0] bit selects the Ethernet port that is to be connected to the Serial Interface. Note that Bi-directional connection is assumed between the Serial and Ethernet Interfaces. The connection register and corresponding queue size must be defined for proper operation. Writing a 0 to this register will disconnect the connection. When a connection is disconnected, “1”s are sourced to the Serial Interface transmit and to the HDLC receiver and the clocks to the HDLC transmitter/receiver are disabled.

Register Name: **GL.C1QPR**  
 Register Description: **Connection 1 Queue Pointer Reset**  
 Register Address: **12h**

Bit #	7	6	5	4	3	2	1	0
Name	-	-	-	-	C1MRPRR	C1HWPRR	C1MHPR	C1HRPR
Default	0	0	0	0	0	0	0	0

**Bit 3: MAC Read Pointer Reset (C1MRPRR)** If this bit is set to 1, the receive queue read pointer is reset for connection 1. The queue pointer must be reset after a disconnect and before a connection.

**Bit 2: HDLC Write Pointer Reset (C1HWPRR)** If this bit is set to 1, the receive queue write pointer is reset for connection 1. The queue pointer must be reset after a disconnect and before a connection.

**Bit 1: HDLC Read Pointer Reset (C1MHPR)** If this bit is set to 1, the receive queue read pointer is reset for connection 1. The queue pointer must be reset after a disconnect and before a connection.

**Bit 0: MAC Transmit Write Pointer Reset (C1HRPR)** If this bit is set to 1, the receive queue write pointer is reset for connection 1. The queue pointer must be reset after a disconnect and before a connection.

Register Name: **GL.IMXCN**  
 Register Description: **Inverse MUX Configuration Register**  
 Register Address: **16h**

Bit #	7	6	5	4	3	2	1	0
Name		T1E1	RXE	SENDE	L4	L3	L2	L1
Default	0	0	0	0	0	0	0	0

**Bit 6: T1E1 Mode (T1E1)** This bit determine if IMUX if for T1 or E1 Mode  
 0 = T1 Mode  
 1 = E1 Mode

**Bit 5: Receive Enable (RXE)** If this bit is set to 1, data will be received from the Serial Interface and passed to the packet processor. If equal to 0, no data will be sent to the packet processor.

**Bit 4: SEND Enable (SENDE)** If this bit is set to 1, the data will be transmitted on the Serial Interface. If equal to 0, data is blocked.

**Bit 3: Link 4(L4)** If this bit is set to 1, link number four is participating in the communication. If this bit is equal to 0, the link does not participate.

**Bit 2: Link 3(L3)** If this bit is set to 1, link number three is participating in the communication. If this bit is equal to 0, the link does not participate.

**Bit 1: Link 2(L2)** If this bit is set to 1, link number two is participating in the communication. If this bit is equal to 0, the link does not participate.

**Bit 0: Link 1(L1)** If this bit is set to 1, link number one is participating in the communication. If this bit is equal to 0, the link does not participate.

Register Name: **GL.IMXC**  
 Register Description: **Inverse MUX Command Register**  
 Register Address: **17h**

Bit #	7	6	5	4	3	2	1	0
Name	IMUXC7	IMUXC6	IMUXC5	IMUXC4	IMUXC3	IMUXC2	IMUXC1	IMUXC0
Default	1	1	1	1	1	1	1	1

**Bits 0 – 7: Inverse Multiplexing Command (IMUXC[0:7])** This byte is used to issue IMUX commands.

#### AVAILABLE USER COMMANDS:

Value	Command	Comment
1111 1111b	NOP	No operation to perform.
1000 0011b	Link Start	Establish Link with the distant end. Upon reception of this message, this distant end begins searching for 3 consecutive sequence numbers.

The user must send a link start command. The NOP is written to this register after the link start command is written. All values other than those listed above will be ignored.

Register Name: **GL.IMXSS**  
 Register Description: **Inverse MUX Sync Status**  
 Register Address: **18h**

Bit #	7	6	5	4	3	2	1	0
Name	ITSYNC4	ITSYNC3	ITSYNC2	ITSYNC1	IRSYNC4	IRSYNC3	IRSYNC2	IRSYNC1
Default	0	0	0	0	0	0	0	0

**Bit 7: IMUX Transmit Sync 4 (ITSYNC4)** If this bit is set to 1, the device has received a rsync command for the 4<sup>th</sup> portion of the 8.192 Mbit/s link from the distant node. This status bit indicates that the distant end is in sync.

**Bit 6: IMUX Transmit Sync 3 (ITSYNC3)** If this bit is set to 1, the device has received a rsync command for the 3<sup>rd</sup> portion of the 8.192 Mbit/s link from the distant node. This status bit indicates that the distant end is in sync.

**Bit 5: IMUX Transmit Sync 2 (ITSYNC2)** If this bit is set to 1, the device has received a rsync command for the 2<sup>nd</sup> portion of the 8.192 Mbit/s link from the distant node. This status bit indicates that the distant end is in sync.

**Bit 4: IMUX Transmit Sync 1 (ITSYNC1)** If this bit is set to 1, the device has received a rsync command for the 1<sup>st</sup> portion of the 8.192 Mbit/s link from the distant node. This status bit indicates that the distant end is in sync.

**Bit 3: IMUX Receive Sync 4 (IRSYNC4)** If this bit is set to 1, the local end is in sync for the 4<sup>th</sup> portion of the 8.192 Mbit/s link. The command states that the local end is in sync.

**Bit 2: IMUX Receive Sync 3 (IRSYNC3)** If this bit is set to 1, the local end is in sync for the 3<sup>rd</sup> portion of the 8.192 Mbit/s link. The command states that the local end is in sync.

**Bit 1: IMUX Receive Sync 2 (IRSYNC2)** If this bit is set to 1, the local end is in sync for the 2<sup>nd</sup> portion of the 8.192 Mbit/s link. The command states that the local end is in sync.

**Bit 0: IMUX Receive Sync 1 (IRSYNC1)** If this bit is set to 1, the local end is in sync for the 1<sup>st</sup> portion of the 8.192 Mbit/s link. The command states that the local end is in sync.

Register Name: **GL.IMXSIE**  
 Register Description: **Inverse Mux Sync Interrupt Enable**  
 Register Address: **19h**

Bit #	7	6	5	4	3	2	1	0
Name	ITSYNCIE4	ITSYNCIE3	ITSYNCIE2	ITSYNCIE1	IRSYNCIE4	IRSYNCIE3	IRSYNCIE2	IRSYNCIE1
Default	0	0	0	0	0	0	0	0

**Bit 7: IMUX Transmit Sync Interrupt Enable 4 (ITSYNCIE4)** Setting this bit to 1 enables an interrupt on ITSYNCLS4.

**Bit 6: IMUX Transmit Sync Interrupt Enable 3 (ITSYNCIE3)** Setting this bit to 1 enables an interrupt on ITSYNCLS3.

**Bit 5: IMUX Transmit Sync Interrupt Enable 2 (ITSYNCIE2)** Setting this bit to 1 enables an interrupt on ITSYNCLS2.

**Bit 4: IMUX Transmit Sync Interrupt Enable 1 (ITSYNCIE1)** Setting this bit to 1 enables an interrupt on ITSYNCLS1.

**Bit 3: IMUX Receive Sync Interrupt Enable 4 (IRSYNCIE4)** Setting this bit to 1 enables an interrupt on IRSYNCLS4.

**Bit 2: IMUX Receive Sync Interrupt Enable 3 (IRSYNCIE3)** Setting this bit to 1 enables an interrupt on IRSYNCLS3.

**Bit 1: IMUX Receive Sync Interrupt Enable 2 (IRSYNCIE2)** Setting this bit to 1 enables an interrupt on IRSYNCLS2.

**Bit 0: IMUX Receive Sync Interrupt Enable 1 (IRSYNCIE1)** Setting this bit to 1 enables an interrupt on IRSYNCLS1.

Register Name: **GL.IMXSLS**  
 Register Description: **Inverse MUX Sync Latched Status**  
 Register Address: **1Ah**

Bit #	7	6	5	4	3	2	1	0
Name	ITSYNCLS4	ITSYNCLS3	ITSYNCLS2	ITSYNCLS1	IRSYNCLS4	IRSYNCLS3	IRSYNCLS2	IRSYNCLS1
Default	0	0	0	0	0	0	0	0

**Bit 7: IMUX Transmit Sync Latched Status 4 (ITSYNCLS4)** This is a latched status bit for ITSYNCL4  
**Bit 6: IMUX Transmit Sync Latched Status 3 (ITSYNCLS3)** This is a latched status bit for ITSYNCL3  
**Bit 5: IMUX Transmit Sync Latched Status 2 (ITSYNCLS2)** This is a latched status bit for ITSYNCL2  
**Bit 4: IMUX Transmit Sync Latched Status 1 (ITSYNCLS1)** This is a latched status bit for ITSYNCL1  
**Bit 3: IMUX Receive Sync Latched Status 4 (IRSYNCLS4)** This is a latched status bit for IRSYNCL4  
**Bit 2: IMUX Receive Sync Latched Status 3 (IRSYNCLS3)** This is a latched status bit for IRSYNCL3  
**Bit 1: IMUX Receive Sync Latched Status 2 (IRSYNCLS2)** This is a latched status bit for IRSYNCL2  
**Bit 0: IMUX Receive Sync Latched Status 1 (IRSYNCLS1)** This is a latched status bit for IRSYNCL1

Register Name: **GL.IMXDFD**  
 Register Description: **Inverse MUX Diff delay**  
 Register Address: **1Bh**

Bit #	7	6	5	4	3	2	1	0
Name	IMUXDFD7	IMUXDFD6	IMUXDFD5	IMUXDFD4	IMUXDFD3	IMUXDFD2	IMUXDFD1	IMUXDFD0
Default	0	0	0	0	0	0	0	0

**Bits 7 to 0 IMUX Differential Delay:** This 8 bits provide the IMUX differential delay. The maximum differential delay that can be measured is 64 msec.

Register Name: **GL.IMXDIE**  
 Register Description: **Inverse MUX Diff delay Error Interrupt Enable**  
 Register Address: **1Ch**

Bit #	7	6	5	4	3	2	1	0
Name	-	-	-	-	-	-	-	IDDEIE
Default	0	0	0	0	0	0	0	0

**Bit 0: IMUX Differential Delay Error Interrupt Enable (IDDEIE)** Setting this bit to 1 enables an interrupt on IDDELS0.

Register Name: **GL.IMXDFELS**  
 Register Description: **Inverse MUX Diff delay Error Latched Status**  
 Register Address: **1Dh**

Bit #	7	6	5	4	3	2	1	0
Name	-	-	-	-	-	-	-	IDDELS0
Default	0	0	0	0	0	0	0	0

**Bit 0: IMUX Differential Delay Error latched Status (IDDELS0)** This bit provides the differential delay error latched status. It is set to 1 when the differential delay has exceeded 7.75 msec.

Register Name: **GL.IMXOOFIE**  
 Register Description: **Inverse MUX OOF Interrupt Enable**  
 Register Address: **1Eh**

Bit #	7	6	5	4	3	2	1	0
Name	TOOFIE4	TOOFIE3	TOOFIE2	TOOFIE1	ROOFIE4	ROOFIE3	ROOFIE2	ROOFIE1
Default	0	0	0	0	0	0	0	0

**Bit 7: IMUX Transmit OOF Interrupt Enable 4 (TOOFIE4)** Setting this bit to 1 enables an interrupt on TOOFLS4.  
**Bit 6: IMUX Transmit OOF Interrupt Enable 3 (TOOFIE3)** Setting this bit to 1 enables an interrupt on TOOFLS3.  
**Bit 5: IMUX Transmit OOF Interrupt Enable 2 (TOOFIE2)** Setting this bit to 1 enables an interrupt on TOOFLS2.  
**Bit 4: IMUX Transmit OOF Interrupt Enable 1 (TOOFIE1)** Setting this bit to 1 enables an interrupt on TOOFLS1.  
**Bit 3: IMUX Receive OOF Interrupt Enable 4 (ROOFIE4)** Setting this bit to 1 enables an interrupt on ROOFLS4.  
**Bit 2: IMUX Receive OOF Interrupt Enable 3 (ROOFIE3)** Setting this bit to 1 enables an interrupt on ROOFLS3.  
**Bit 1: IMUX Receive OOF Interrupt Enable 2 (ROOFIE2)** Setting this bit to 1 enables an interrupt on ROOFLS2.  
**Bit 0: IMUX Receive OOF Interrupt Enable 1 (ROOFIE1)** Setting this bit to 1 enables an interrupt on ROOFLS1.

Register Name: **GL.IMXOOFLS**  
 Register Description: **Inverse MUX Out Of Frame Latched Status**  
 Register Address: **1Fh**

Bit #	7	6	5	4	3	2	1	0
Name	TOOFLS4	TOOFLS3	TOOFLS2	TOOFLS1	ROOFL4	ROOFL3	ROOFLS2	ROOFLS1
Default	0	0	0	0	0	0	0	0

**Bit 7: IMUX Transmit OOF Latched Status 4 (TOOFLS4)** This is a latched bit for Transmit OOF, this bit is set if the distant end is out of frame.  
**Bit 6: IMUX Transmit OOF Latched Status 3 (TOOFLS3)** This is a latched bit for Transmit OOF, this bit is set if the distant end is out of frame.  
**Bit 5: IMUX Transmit Sync Latched Status 2 (TOOFLS2)** This is a latched bit for Transmit OOF, this bit is set if the distant end is out of frame.  
**Bit 4: IMUX Transmit Sync Latched Status 1 (TOOFLS1)** This is a latched bit for Transmit OOF, this bit is set if the distant end is out of frame.  
**Bit 3: IMUX Receive Sync Latched Status 4 (ROOFLS4)** This is a latched bit for Receiver OOF, this bit is set if the receiver end is out of frame.  
**Bit 2: IMUX Receive Sync Latched Status 3 (ROOFLS3)** This is a latched bit for Receiver OOF, this bit is set if the receiver end is out of frame.  
**Bit 1: IMUX Receive Sync Latched Status 2 (ROOFLS2)** This is a latched bit for Receiver OOF, this bit is set if the receiver end is out of frame.  
**Bit 0: IMUX Receive Sync Latched Status 1 (ROOFLS1)** This is a latched bit for Receiver OOF, this bit is set if the receiver end is out of frame.

Note that the user must clear the GL.IMXCN.SENDE bit to stop data transmission when an OOF condition is detected. The user must re-initiate the handshaking procedure for re-establishment of communication.

Register Name: **GL.BISTEN**  
 Register Description: **BIST Enable**  
 Register Address: **20h**

Bit #	7	6	5	4	3	2	1	0
Name	-	-	-	-	-	-	-	BISTE
Default	0	0	0	0	0	0	0	0

**Bit 0: BIST Enable (BISTE)** If this bit is set the DS33Z41 performs BIST test on the SDRAM. Normal data communication is halted while BIST enable is high. The user must reset the DS33Z41 after completion of BIST test before normal dataflow can begin.

Register Name: **GL.BISTPF**  
 Register Description: **BIST PassFail**  
 Register Address: **21h**

Bit #	7	6	5	4	3	2	1	0
Name	-	-	-	-	-	-	BISTDN	BISTPF
Default	0	0	0	0	0	0	0	0

**Bit 1: BIST DONE (BISTDN)** If this bit is set to 1, the DS33Z41 has completed the BIST Test initiated by BISTE. The pass fail result is available in BISTPF.

**Bit 0: BIST PassFail (BISTPF)** This bit is equal to 0 after the DS33Z41 performs BIST testing on the SDRAM and the test passes. This bit is set to 1 if the test failed. This bit is valid only after the BIST test is complete and the BIST DN bit is set. If set this bit can only be cleared by resetting the DS33Z41.

### 9.3 Arbiter Registers

The Arbiter manages the transport between the Ethernet port and the Serial Interface. It is responsible for queuing and dequeuing data to an external SDRAM. The arbiter handles requests from the HDLC and MAC to transfer data to/from the SDRAM. The base address of the Arbiter register space is 0040h.

#### 9.3.1 Arbiter Register Bit Descriptions

Register Name: **AR.RQSC1**  
Register Description: **Arbiter Receive Queue Size Connection**  
Register Address: **40h**

Bit #	7	6	5	4	3	2	1	0
Name	RQSC7	RQSC6	RQSC5	RQSC4	RQSC3	RQSC2	RQSC1	RQSC0
Default	0	0	1	1	1	1	0	1

**Bits 0-7: Receive Queue Size (RQSC[0:7])** These 7 bits of the size of receive queue associated with the connection. Receive queue is for data arriving from the MAC to be sent to the WAN. The Queue address size is defined in increments of 32 x 2048 bytes. The queue size is AR.RQSC1 multiplied by 32 to determine the number of 2048 byte packets that can be stored in the queue. This queue is constructed in the external SDRAM. **Note: Queue size of 0 is not allowed and should never be set.**

Register Name: **AR.TQSC1**  
Register Description: **Arbiter Transmit Queue Size Connection 1**  
Register Address: **41h**

Bit #	7	6	5	4	3	2	1	0
Name	TQSC7	TQSC6	TQSC5	TQSC4	TQSC3	TQSC2	TQSC1	TQSC0
Default	0	0	0	0	0	0	1	1

**Bits 0-7: Transmit Queue Size (TQSC[0:7])** This is size of transmit queue associated with the connection. The queue address size is defined in increments of 32 packets. The range of bytes will depend on the external SDRAM connected to the DS33Z41. Transmit queue is the data queue for data arriving on the WAN that is sent to the MAC. **Note that queue size of 0 is not allowed and should never be set.**



## 9.4 BERT Registers

Register Name: **BCR**  
 Register Description: **BERT Control Register**  
 Register Address: **80h**

Bit #	7	6	5	4	3	2	1	0
Name	-	PMU	RNPL	RPIC	MPR	APRD	TNPL	TPIC
Default	0	0	0	0	0	0	0	0

**Bit 7: This bit must be kept low for proper operation.**

**Bit 6: Performance Monitoring Update (PMU)** This bit causes a performance monitoring update to be initiated. A 0 to 1 transition causes the performance monitoring registers to be updated with the latest data, and the counters reset (0 or 1). For a second performance monitoring update to be initiated, this bit must be set to 0, and back to 1. If PMU goes low before the PMS bit goes high, an update might not be performed.

**Bit 5: Receive New Pattern Load (RNPL)** A zero to one transition of this bit will cause the programmed test pattern (QRSS, PTS, PLF [4:0], PTF [4:0], and BSP [31:0]) to be loaded in to the receive pattern generator. This bit must be changed to zero and back to one for another pattern to be loaded. Loading a new pattern will force the receive pattern generator out of the “Sync” state which causes a resynchronization to be initiated. Note: QRSS, PTS, PLF [4:0], PTF [4:0], and BSP [31:0] must not change from the time this bit transitions from 0 to 1 until four RCLKI clock cycles after this bit transitions from 0 to 1.

**Bit 4: Receive Pattern Inversion Control (RPIC)** When 0, the receive incoming data stream is not altered. When 1, the receive incoming data stream is inverted.

**Bit 3: Manual Pattern Resynchronization (MPR)** A zero to one transition of this bit will cause the receive pattern generator to resynchronize to the incoming pattern. This bit must be changed to zero and back to one for another resynchronization to be initiated. Note: A manual resynchronization forces the receive pattern generator out of the “Sync” state.

**Bit 2: Automatic Pattern Resynchronization Disable (APRD)** When 0, the receive pattern generator will automatically resynchronize to the incoming pattern if six or more times during the current 64-bit window the incoming data stream bit and the receive pattern generator output bit did not match. When 1, the receive pattern generator will not automatically resynchronize to the incoming pattern. Note: Automatic synchronization is prevented by not allowing the receive pattern generator to automatically exit the “Sync” state.

**Bit 1: Transmit New Pattern Load (TNPL)** A zero to one transition of this bit will cause the programmed test pattern (QRSS, PTS, PLF[4:0], PTF[4:0], and BSP[31:0]) to be loaded in to the transmit pattern generator. This bit must be changed to zero and back to one for another pattern to be loaded. Note: QRSS, PTS, PLF[4:0], PTF[4:0], and BSP[31:0] must not change from the time this bit transitions from 0 to 1 until four TCLKI clock cycles after this bit transitions from 0 to 1.

**Bit 0: Transmit Pattern Inversion Control (TPIC)** When 0, the transmit outgoing data stream is not altered. When 1, the transmit outgoing data stream is inverted.

Register Name: **BPCLR**  
 Register Description: **BERT Pattern Configuration Low Register**  
 Register Address: **82h**

Bit #	7	6	5	4	3	2	1	0
Name	-	QRSS	PTS	PLF4	PLF3	PLF2	PLF1	PLF0
Default	0	0	0	0	0	0	0	0

**Bit 6: QRSS Enable (QRSS)** When 0, the pattern generator configuration is controlled by PTS, PLF[0:4], and PTF[0:4], and BSP[0:31]. When 1, the pattern generator configuration is forced to a QRSS pattern with a generating polynomial of  $x^{20} + x^{17} + 1$ . The output of the pattern generator is forced to one if the next fourteen output bits are all zero.

**Bit 5: Pattern Type Select (PTS)** When 0, the pattern is a PRBS pattern. When 1, the pattern is a repetitive pattern.

Register Name: **BPCHR**  
Register Description: **BERT Pattern Configuration High Register**  
Register Address: **83h**

Bit #	7	6	5	4	3	2	1	0
Name	-	-	-	PTF4	PTF3	PTF2	PTF1	PTF0
Default	0	0	0	0	0	0	0	0

**Bits 4 to 0: Pattern Tap Feedback (PTF[4:0])** These five bits control the PRBS “tap” feedback of the pattern generator. The “tap” feedback is from bit y of the pattern generator ( $y = \text{PTF}[4:0] + 1$ ). These bits are ignored when programmed for a repetitive pattern. For a PRBS signal, the feedback is an XOR of bit n and bit y. The values possible are outlined in section 8.15.

Register Name: **BSPB0R**  
 Register Description: **BERT Pattern Byte0 Register**  
 Register Address: **84h**

Bit #	7	6	5	4	3	2	1	0
Name	BSP7	BSP6	BSP5	BSP4	BSP3	BSP2	BSP1	BSP0
Default	0	0	0	0	0	0	0	0

**Bits 0 to 7: BERT Pattern (BSP[7:0])** Lower eight bits of 32 bits. Register description follows next register.

Register Name: **BSPB1R**  
 Register Description: **BERT Pattern Byte 1 Register**  
 Register Address: **85h**

Bit #	7	6	5	4	3	2	1	0
Name	BSP15	BSP14	BSP13	BSP12	BSP11	BSP10	BSP9	BSP8
Default	0	0	0	0	0	0	0	0

**Bits 0 to 7: BERT Pattern (BSP[15:8])** 8 bits of 32 bits. Register description bellow.

Register Name: **BSPB2R**  
 Register Description: **BERT Pattern Byte2 Register**  
 Register Address: **86h**

Bit #	7	6	5	4	3	2	1	0
Name	BSP23	BSP22	BSP21	BSP20	BSP19	BSP18	BSP17	BSP16
Default	0	0	0	0	0	0	0	0

**Bits 0 to 7: BERT Pattern (BSP[23:16])** 8 bits of 32 bits. Register description bellow.

Register Name: **BSPB3R**  
 Register Description: **BERT Seed/Pattern Byte3 Register**  
 Register Address: **87h**

Bit #	7	6	5	4	3	2	1	0
Name	BSP31	BSP30	BSP29	BSP28	BSP27	BSP26	BSP25	BSP24
Default	0	0	0	0	0	0	0	0

**Bits 0 to 8: BERT Pattern (BSP[31:24])** Upper 8 bits of 32 bits. Register description bellow.

**BERT Pattern (BSP[31:0])** These 32 bits are the programmable seed for a transmit PRBS pattern, or the programmable pattern for a transmit or receive repetitive pattern. BSP(31) is the first bit output on the transmit side for a 32-bit repetitive pattern or 32-bit length PRBS. BSP(31) is the first bit input on the receive side for a 32-bit repetitive pattern.

Register Name: **TEICR**  
 Register Description: **Transmit Error Insertion Control Register**  
 Register Address: **88h**

Bit #	7	6	5	4	3	2	1	0
Name	-	-	TIER2	TIER1	TIER0	BEI	TSEI	-
Default	0	0	0	0	0	0	0	0

**Bits 3 – 5: Transmit Error Insertion Rate (TEIR[2:0])** These three bits indicate the rate at which errors are inserted in the output data stream. One out of every  $10^n$  bits is inverted. TEIR[2:0] is the value n. A TEIR[2:0] value of 0 disables error insertion at a specific rate. A TEIR[2:0] value of 1 result in every  $10^{\text{th}}$  bit being inverted. A TEIR[2:0] value of 2 results in every  $100^{\text{th}}$  bit being inverted. Error insertion starts when this register is written to with a TEIR[2:0] value that is non-zero. If this register is written to during the middle of an error insertion process, the new error rate is started after the next error is inserted.

**Bit 2: Bit Error Insertion Enable (BEI)** When 0, single bit error insertion is disabled. When 1, single bit error insertion is enabled.

**Bit 1: Transmit Single Error Insert (TSEI)** This bit causes a bit error to be inserted in the transmit data stream if and single bit error insertion is enabled. A 0 to 1 transition causes a single bit error to be inserted. For a second bit error to be inserted, this bit must be set to 0, and back to 1. Note: If this bit transitions more than once between error insertion opportunities, only one error is inserted.

**All other bits in this register besides BEI and TSEI and TIER must be reset to 0 for proper operation.**

Register Name: **BSR**  
 Register Description: **BERT Status Register**  
 Register Address: **8Ch**

Bit #	7	6	5	4	3	2	1	0
Name	-	-	-	-	PMS	-	<u>BEC</u>	<u>OOS</u>
Default	0	0	0	0	0	0	0	0

**Bit 3: Performance Monitoring Update Status (PMS)** This bit indicates the status of the receive performance monitoring register (counters) update. This bit will transition from low to high when the update is completed. PMS is asynchronously forced low when the PMU bit goes low. TCLKI and RCLKI must be present.

**Bit 1: Bit Error Count (BEC)** When 0, the bit error count is zero. When 1, the bit error count is one or more.

**Bit 0: Out Of Synchronization (OOS)** When 0, the receive pattern generator is synchronized to the incoming pattern. When 1, the receive pattern generator is not synchronized to the incoming pattern.

Register Name: **BSRL**  
 Register Description: **BERT Status Register Latched**  
 Register Address: **8Eh**

Bit #	7	6	5	4	3	2	1	0
Name	-	-	-	-	PMSL	<u>BEL</u>	<u>BECL</u>	<u>OOSL</u>
Default	-	-	-	-	-	-	-	-

- Bit 3: Performance Monitor Update Status Latched (PMSL)** This bit is set when the PMS bit transitions from 0 to 1.
- Bit 2: Bit Error Detected Latched (BEL)** This bit is set when a bit error is detected.
- Bit 1: Bit Error Count Latched (BECL)** This bit is set when the BEC bit transitions from 0 to 1.
- Bit 0: Out Of Synchronization Latched (OOSL)** This bit is set when the OOS bit changes state.

Register Name: **BSRIE**  
 Register Description: **BERT Status Register Interrupt Enable**  
 Register Address: **90h**

Bit #	7	6	5	4	3	2	1	0
Name	-	-	-	-	PMSIE	BEIE	BECIE	OOSIE
Default	0	0	0	0	0	0	0	0

- Bit 3: Performance Monitoring Update Status Interrupt Enable (PMSIE)** This bit enables an interrupt if the PMSL bit is set.  
 0 = interrupt disabled  
 1 = interrupt enabled
- Bit 2: Bit Error Interrupt Enable (BEIE)** This bit enables an interrupt if the BEL bit is set.  
 0 = interrupt disabled  
 1 = interrupt enabled
- Bit 1: Bit Error Count Interrupt Enable (BECIE)** This bit enables an interrupt if the BECL bit is set.  
 0 = interrupt disabled  
 1 = interrupt enabled
- Bit 0: Out Of Synchronization Interrupt Enable (OOSIE)** This bit enables an interrupt if the OOSL bit is set.  
 0 = interrupt disabled  
 1 = interrupt enabled

Register Name: **RBECB0R**  
 Register Description: **Receive Bit Error Count Byte 0 Register**  
 Register Address: **94h**

Bit #	7	6	5	4	3	2	1	0
Name	<u>BEC7</u>	<u>BEC6</u>	<u>BEC5</u>	<u>BEC4</u>	<u>BEC3</u>	<u>BEC2</u>	<u>BEC1</u>	<u>BEC0</u>
Default	0	0	0	0	0	0	0	0

**Bits 0 - 7: Bit Error Count (BEC[0:7])** Lower eight bits of 24 bits. Register description below.

Register Name: **RBECB1R**  
 Register Description: **Receive Bit Error Count Byte 1 Register**  
 Register Address: **95h**

Bit #	7	6	5	4	3	2	1	0
Name	<u>BEC15</u>	<u>BEC14</u>	<u>BEC13</u>	<u>BEC12</u>	<u>BEC11</u>	<u>BEC10</u>	<u>BEC9</u>	<u>BEC8</u>
Default	0	0	0	0	0	0	0	0

**Bits 0 - 7: Bit Error Count (BEC[8:15])** Eight bits of a 24 bit value. Register description below.

Register Name: **RBECR2**  
 Register Description: **Receive Bit Error Count Byte 2 Register**  
 Register Address: **96h**

Bit #	7	6	5	4	3	2	1	0
Name	<u>BEC23</u>	<u>BEC22</u>	<u>BEC21</u>	<u>BEC20</u>	<u>BEC19</u>	<u>BEC18</u>	<u>BEC17</u>	<u>BEC16</u>
Default	0	0	0	0	0	0	0	0

**Bits 0 - 7: Bit Error Count (BEC[16:23])** Upper 8-bits of the register.

**Bit Error Count (BEC[0:23])** These twenty-four bits indicate the number of bit errors detected in the incoming data stream. This count stops incrementing when it reaches a count of FF FFFFh. The associated bit error counter will not incremented when an OOS condition exists.

Register Name: **RBCB0**  
 Register Description: **Receive Bit Count Byte 0 Register**  
 Register Address: **98h**

Bit #	7	6	5	4	3	2	1	0
Name	<u>BC7</u>	<u>BC6</u>	<u>BC5</u>	<u>BC4</u>	<u>BC3</u>	<u>BC2</u>	<u>BC1</u>	<u>BC0</u>
Default	0	0	0	0	0	0	0	0

**Bits 0 - 7: Bit Count (BC[0:7])** Eight bits of a 32 bit value. Register description below.

Register Name: **RBCB1**  
 Register Description: **Receive Bit Count Byte 1 Register #1**  
 Register Address: **99h**

Bit #	7	6	5	4	3	2	1	0
Name	<u>BC15</u>	<u>BC14</u>	<u>BC13</u>	<u>BC12</u>	<u>BC11</u>	<u>BC10</u>	<u>BC9</u>	<u>BC8</u>
Default	0	0	0	0	0	0	0	0

**Bits 0 - 7: Bit Count (BC[8:15])** Eight bits of a 32 bit value. Register description below.

Register Name: **RBCB2**  
 Register Description: **Receive Bit Count Byte 2 Register**  
 Register Address: **9Ah**

Bit #	7	6	5	4	3	2	1	0
Name	<u>BC23</u>	<u>BC22</u>	<u>BC21</u>	<u>BC20</u>	<u>BC19</u>	<u>BC18</u>	<u>BC17</u>	<u>BC16</u>
Default	0	0	0	0	0	0	0	0

**Bits 0 - 7: Bit Count (BC[16:23])** Eight bits of a 32 bit value. Register description below.

Register Name: **RBCB3**  
 Register Description: **Receive Bit Count Byte 3 Register**  
 Register Address: **9Bh**

Bit #	7	6	5	4	3	2	1	0
Name	<u>BC31</u>	<u>BC30</u>	<u>BC29</u>	<u>BC28</u>	<u>BC27</u>	<u>BC26</u>	<u>BC25</u>	<u>BC24</u>
Default	0	0	0	0	0	0	0	0

**Bits 0 - 7: Bit Count (BC[24:31])** Upper 8-bits of the register.

**Bit Count (BC[0:31])** These thirty-two bits indicate the number of bits in the incoming data stream. This count stops incrementing when it reaches a count of FFFF FFFFh. The associated bit counter will not incremented when an OOS condition exists.

**9.5 Serial Interface Registers**

The Serial Interface contains the Serial HDLC transport circuitry and the associated serial port. The Serial Interface register map consists of registers that are common functions, transmit functions, and receive functions.

Bits that are underlined are read-only; all other bits can be written. All reserved registers and bits with “-“ designation should be written to zero, unless specifically noted in the register definition. When read, the information from reserved registers and bits designated with “-“ should be discarded.

Counter registers are updated by asserting (low to high transition) the associated performance monitoring update signal (xxPMU). During the counter register update process, the associated performance monitoring status signal (xxPMS) is deasserted. The counter register update process consists of loading the counter register with the current count, resetting the counter, forcing the zero count status indication low for one clock cycle, and then asserting xxPMS. No events are missed during this update procedure.

A latched bit is set when the associated event occurs, and remains set until it is cleared by reading. Once cleared, a latched bit will not be set again until the associated event occurs again. Reserved configuration bits and registers should be written to zero.

**9.5.1 Serial Interface Transmit and Common Registers**

Serial Interface Transmit Registers are used to control the HDLC transmitter associated with each Serial Interface. The register map is shown in the following Table. Note that throughout this document the HDLC Processor is also referred to as a “packet processor”.

**9.5.2 Serial Interface Transmit Register Bit Descriptions**

Register Name: **LI.RSTPD**  
 Register Description: **Serial Interface Reset Register**  
 Register Address: **0C1h**

Bit #	7	6	5	4	3	2	1	0
Name	-	-	-	-	-	-	RESET	-
Default	0	0	0	0	0	0	0	0

**Bit 1: RESET** If this bit set to 1, the Data Path and Control and Status for this interface are reset. The Serial Interface is held in Reset as long as this bit is high. This bit must be high for a minimum of 200 nsec for a valid reset to occur.

Register Name: **LI.LPBK**  
 Register Description: **Serial Interface Loopback Control Register**  
 Register Address: **0C2h**

Bit #	7	6	5	4	3	2	1	0
Name	-	-	-	-	-	-	-	QLP
Default	0	0	0	0	0	0	0	0

**Bit 0: Queue Loopback Enable (QLP)** If this bit set to 1, data received on the Serial Interface is looped back to the Serial Interface transmitter. Received data will not be sent from the Serial Interface to the Ethernet Interface. Buffered packet data will remain in queue until the loopback is removed.



### 9.5.3 Transmit HDLC Processor Registers

Register Name: **LI.TPPCL**  
 Register Description: **Transmit Packet Processor Control Low Register**  
 Register Address: **0C4h**

Bit #	7	6	5	4	3	2	1	0
Name	-	-	TFAD	TF16	TIFV	TSD	TBRE	TIAEI
Default	0	0	0	0	0	0	0	0

Note: The user should take care not to modify this register value during packet error insertion.

**Bits 5 - 6: Transmit FCS Append Disable (TFAD)** – This bit controls whether or not an FCS is appended to the end of each packet. When equal to 0, the calculated FCS bytes are appended to packets. When set to 1, packets are transmitted without FCS. In X.86 Mode, FCS is always 32 bits and is always appended to the packet.

**Bit 4: Transmit FCS-16 Enable (TF16)** – When 0, the FCS processing uses a 32-bit FCS. When 1, the FCS processing uses a 16-bit FCS. In X.86 Mode, 32-bit FCS processing is enabled.

**Bit 3: Transmit Bit Synchronous Inter-frame Fill Value (TIFV)** – When 0, inter-frame fill is done with the flag sequence (7Eh). When 1, inter-frame fill is done with all '1's. This bit is ignored in byte synchronous mode. In X.86 mode the interframe flag is always 7E.

**Bit 2: Transmit Scrambling Disable (TSD)** – When equal to 0,  $X^{43}+1$  scrambling is performed. When set to 1, scrambling is disabled. Note that in hardware mode, transmit scrambling is controlled by the SCD hardware pin.

**Bit 1: Transmit Bit Reordering Enable (TBRE)** – When equal to 0, bit reordering is disabled (The first bit transmitted is from the MSB of the transmit FIFO byte TFD [7]). When set to 1, bit reordering is enabled (The first bit transmitted is from the LSB of the transmit FIFO byte TFD [0]). Note that this function can be controlled in Hardware mode with the BREO hardware pin.

**Bit 0: Transmit Initiate Automatic Error Insertion (TIAEI)** – This write-only bit initiates error insertion. See the LI.TEPHC register definition for details of usage.

Register Name: **LI.TIFGC**  
Register Description: **Transmit Inter-Frame Gapping Control Register**  
Register Address: **0C5h**

Bit #	7	6	5	4	3	2	1	0
Name	TIFG7	TIFG6	TIFG5	TIFG4	TIFG3	TIFG2	TIFG1	TIFG0
Default	0	0	0	0	0	0	0	1

**Bits 0 - 7: Transmit Inter-Frame Gapping (TIFG[7:0])** – These eight bits indicate the number of additional flags and bytes of inter-frame fill to be inserted between packets. The number of flags and bytes of inter-frame fill between packets is at least the value of TIFG[7:0] plus 1. Note: If inter-frame fill is set to all 1’s, a TFIG value of 2 or 3 will result in a flag, two bytes of 1’s, and an additional flag between packets.

Register Name: **LI.TEPLC**  
Register Description: **Transmit Errored Packet Low Control Register**  
Register Address: **0C6h**

Bit #	7	6	5	4	3	2	1	0
Name	TPEN7	TPEN6	TPEN5	TPEN4	TPEN3	TPEN2	TPEN1	TPEN0
Default	0	0	0	0	0	0	0	0

**Bits 0 – 7: Transmit Errored Packet Insertion Number (TPEN[7:0])** – These eight bits indicate the total number of errored packets to be transmitted when triggered by TIAEI. Error insertion will end after this number of errored packets have been transmitted. A value of FFh results in continuous errored packet insertion at the specified rate.

Register Name: **LI.TEPHC**  
 Register Description: **Transmit Errored Packet High Control Register**  
 Register Address: **0C7h**

Bit #	7	6	5	4	3	2	1	0
Name	MEIMS	TPER6	TPER5	TPER4	TPER3	TPER2	TPER1	TPER0
Default	0	0	0	0	0	0	0	0

**Bit 7: Manual Error Insert Mode Select (MEIMS)** – When 0, the transmit manual error insertion signal (TMEI) will not cause errors to be inserted. When 1, TMEI will cause an error to be inserted when it transitions from a 0 to a 1. Note: Enabling TMEI does not disable error insertion using TCER[6:0] and TCEN[7:0].

**Bits 0 – 6: Transmit Errored Packet Insertion Rate (TPER[6:0])** – These seven bits indicate the rate at which errored packets are to be output. One out of every  $x * 10^y$  packets is to be an errored packet. TPER[3:0] is the value x, and TPER[6:4] is the value y which has a maximum value of 6. If TPER[3:0] has a value of 0h errored packet insertion is disabled. If TPER[6:4] has a value of 6xh or 7xh the errored packet rate is  $x * 10^6$ . A TPER[6:0] value of 01h results in every packet being errored. A TPER[6:0] value of 0Fh results in every 15<sup>th</sup> packet being errored. A TPER[6:0] value of 11h results in every 10<sup>th</sup> packet being errored.

**To initiate automatic error insertion, use the following routine:**

- 1) Configure LI.TEPLC and LI.TEPHC for the desired error insertion mode.
- 2) Write the LI.TPPCL.TIAEI bit to 1. Note that this bit is write-only.
- 3) If not using continuous error insertion (LI.TPELC is not equal to FFh), the user should monitor the LI.TPPSR.TEPF bit for completion of the error insertion. If interrupt on completion of error insertion is enabled (LI.TPPSRIE.TEPFIE = 1), the user only needs to wait for the interrupt condition.
- 4) Proceed with the cleanup routine listed below.

**Cleanup routine:**

- 1) Write LI.TEPLC and LI.TEPHC each to 00h.
- 2) Write the LI.TPPCL.TIAEI bit to 0.

Register Name: **LI.TPPSR**  
Register Description: **Transmit Packet Processor Status Register**  
Register Address: **0C8h**

Bit #	7	6	5	4	3	2	1	0
Name	-	-	-	-	-	-	-	<u>TEPF</u>
Default	0	0	0	0	0	0	0	0

**Bit 0: Transmit Errored Packet Insertion Finished (TEPF)** – This bit is set when the number of errored packets indicated by the TPEN[7:0] bits in the TEPC register have been transmitted. This bit is cleared when errored packet insertion is disabled, or a new errored packet insertion process is initiated.

Register Name: **LI.TPPSRL**  
Register Description: **Transmit Packet Processor Status Register Latched**  
Register Address: **0C9h**

Bit #	7	6	5	4	3	2	1	0
Name	-	-	-	-	-	-	-	<u>TEPFL</u>
Default	-	-	-	-	-	-	-	-

**Bit 0: Transmit Errored Packet Insertion Finished Latched (TEPFL)** – This bit is set when the TEPF bit in the TPPSR register transitions from zero to one.

Register Name: **LI.TPPSRIE**  
Register Description: **Transmit Packet Processor Status Register Interrupt Enable**  
Register Address: **0CAh**

Bit #	7	6	5	4	3	2	1	0
Name	-	-	-	-	-	-	-	TEPFIE
Default	0	0	0	0	0	0	0	0

**Bit 0: Transmit Errored Packet Insertion Finished Interrupt Enable (TEPFIE)** – This bit enables an interrupt if the TEPFL bit in the LI.TPPSRL register is set.  
0 = interrupt disabled  
1 = interrupt enabled

Register Name: **LI.TPCR0**  
 Register Description: **Transmit Packet Count Byte 0**  
 Register Address: **0CCh**

Bit #	7	6	5	4	3	2	1	0
Name	<u>TPC7</u>	<u>TPC6</u>	<u>TPC5</u>	<u>TPC4</u>	<u>TPC3</u>	<u>TPC2</u>	<u>TPC1</u>	<u>TPC0</u>
Default	0	0	0	0	0	0	0	0

**Bits 0 – 7: Transmit Packet Count (TPC[7:0])** – Eight bits of 24 bit value. Register description bellow.

Register Name: **LI.TPCR1**  
 Register Description: **Transmit Packet Count Byte 1**  
 Register Address: **0CDh**

Bit #	7	6	5	4	3	2	1	0
Name	<u>TPC15</u>	<u>TPC14</u>	<u>TPC13</u>	<u>TPC12</u>	<u>TPC11</u>	<u>TPC10</u>	<u>TPC9</u>	<u>TPC8</u>
Default	0	0	0	0	0	0	0	0

**Bits 0 – 7: Transmit Packet Count (TPC[15:8])** – Eight bits of 24 bit value. Register description bellow.

Register Name: **LI.TPCR2**  
 Register Description: **Transmit Packet Count Byte 2**  
 Register Address: **0CEh**

Bit #	7	6	5	4	3	2	1	0
Name	<u>TPC23</u>	<u>TPC22</u>	<u>TPC21</u>	<u>TPC20</u>	<u>TPC19</u>	<u>TPC18</u>	<u>TPC17</u>	<u>TPC16</u>
Default	0	0	0	0	0	0	0	0

**Bits 0 – 7: Transmit Packet Count (TPC[23:16])** – These twenty-four bits indicate the number of packets extracted from the Transmit FIFO and output in the outgoing data stream.

Register Name: **LI.TBCR0**  
 Register Description: **Transmit Byte Count Byte 0**  
 Register Address: **0D0h**

Bit #	7	6	5	4	3	2	1	0
Name	<u>TBC7</u>	<u>TBC6</u>	<u>TBC5</u>	<u>TBC4</u>	<u>TBC3</u>	<u>TBC2</u>	<u>TBC1</u>	<u>TBC0</u>
Default	0	0	0	0	0	0	0	0

**Bits 0 – 7: Transmit Byte Count (TBC[0:7])** – Eight bits of 32 bit value. Register description below.

Register Name: **LI.TBCR1**  
 Register Description: **Transmit Byte Count Byte 1**  
 Register Address: **0D1h**

Bit #	7	6	5	4	3	2	1	0
Name	<u>TBC15</u>	<u>TBC14</u>	<u>TBC13</u>	<u>TBC12</u>	<u>TBC11</u>	<u>TBC10</u>	<u>TBC9</u>	<u>TBC8</u>
Default	0	0	0	0	0	0	0	0

**Bits 0 – 7: Transmit Byte Count (TBC[15:8])** - Eight bits of 32 bit value. Register description below.

Register Name: **LI.TBCR2**  
 Register Description: **Transmit Byte Count Byte 2**  
 Register Address: **0D2h**

Bit #	7	6	5	4	3	2	1	0
Name	<u>TBC23</u>	<u>TBC22</u>	<u>TBC21</u>	<u>TBC20</u>	<u>TBC19</u>	<u>TBC18</u>	<u>TBC17</u>	<u>TBC16</u>
Default	0	0	0	0	0	0	0	0

**Bits 0 – 7: Transmit Byte Count (TBC[23:16])** - Eight bits of 32 bit value. Register description below.

Register Name: **LI.TBCR3**  
 Register Description: **Transmit Byte Count Byte 3**  
 Register Address: **0D3h**

Bit #	7	6	5	4	3	2	1	0
Name	<u>TBC31</u>	<u>TBC30</u>	<u>TBC29</u>	<u>TBC28</u>	<u>TBC27</u>	<u>TBC26</u>	<u>TBC25</u>	<u>TBC24</u>
Default	0	0	0	0	0	0	0	0

**Bits 0 – 7: Transmit Byte Count (TBC[31:24])** – These thirty-two bits indicate the number of packet bytes inserted in the outgoing data stream.

Register Name: **LI.TMEI**  
 Register Description: **Transmit Manual Error Insertion**  
 Register Address: **0D4h**

Bit #	7	6	5	4	3	2	1	0
Name	-	-	-	-	-	-	-	TMEI
Default	0	0	0	0	0	0	0	0

**Bit 0: Transmit Manual Error Insertion (TMEI)** A zero to one transition will insert a single error in the Transmit direction.

Register Name: **LI.THPMUU**  
Register Description: **Serial Interface Transmit HDLC PMU Update Register**  
Register Address: **0D6h**

Bit #	7	6	5	4	3	2	1	0
Name	-	-	-	-	-	-	-	TPMUU
Default	0	0	0	0	0	0	0	0

**Bit 0: Transmit PMU Update (TPMUU)** This signal causes the transmit cell/packet processor block performance monitoring registers (counters) to be updated. A 0 to 1 transition causes the performance monitoring registers to be updated with the latest data, and the counters reset (0 or 1). This update updates performance monitoring counters for the Serial Interface.

Register Name: **LI.THPMUS**  
Register Description: **Serial Interface Transmit HDLC PMU Update Status Register**  
Register Address: **0D7h**

Bit #	7	6	5	4	3	2	1	0
Name	-	-	-	-	-	-	-	TPMUS
Default	0	0	0	0	0	0	0	0

**Bit 0: Transmit PMU Update Status (TPMUS)** This bit is set when the Transmit PMU Update is completed. This bit is cleared when TPMUU is reset.

### 9.5.4 X.86 Registers

X.86 Transmit and common Registers are used to control the operation of the X.86 encoder and decoder.

Register Name: **LI.TX86EDE**  
 Register Description: **X.86 Encoding Decoding Enable**  
 Register Address: **0D8h**

Bit #	7	6	5	4	3	2	1	0
Name	-	-	-	-	-	-	-	X86ED
Default	0	0	0	0	0	0	0	0

**Bit 0: X.86 Encoding Decoding (X86ED)** If this bit is set to 1, X.86 encoding and decoding is enabled for the Transmit and Receive paths. The MAC Frame is encapsulated in the X.86 Frame for Transmit and the X.86 headers are checked for in the received data. If X.86 functionality is selected, the X.86 receiver byte boundary is provided by the RSYNC signal and the DS33Z41 provides the transmit byte synchronization TSYNC. No HDLC encapsulation is performed.

Register Name: **LI.TRX86A**  
 Register Description: **Transmit Receive X.86 Address**  
 Register Address: **0D9h**

Bit #	7	6	5	4	3	2	1	0
Name	X86TRA7	X86TRA6	X86TRA5	X86TRA4	X86TRA3	X86TRA2	X86TRA1	X86TRA0
Default	0	0	0	0	0	1	0	0

**Bits 0 - 7: X86 Transmit Receive Address (X86TRA0-7)** This is the address field for the X.86 transmitter and for the receiver. The register default value is 0x04.

Register Name: **LI.TRX8C**  
 Register Description: **Transmit Receive X.86 Control**  
 Register Address: **0DAh**

Bit #	7	6	5	4	3	2	1	0
Name	X86TRC7	X86TRC6	X86TRC5	X86TRC4	X86TRC3	X86TRC2	X86TRC1	X86TRC0
Default	0	0	0	0	0	0	1	1

**Bits 0 - 7: X86 Transmit Receive Control (X86TRC0-7)** This is the control field for the X.86 transmitter and expected value for the receiver. The register is reset to 0x03

Register Name: **LI.TRX86SAPIH**  
 Register Description: **Transmit Receive X.86 SAPIH**  
 Register Address: **0DBh**

Bit #	7	6	5	4	3	2	1	0
Name	TRSAPIH7	TRSAPIH6	TRSAPIH5	TRSAPIH4	TRSAPIH3	TRSAPIH2	TRSAPIH1	TRSAPIH0
Default	1	1	1	1	1	1	1	0

**Bits 0 - 7: X86 Transmit Receive Address (TRSAPIH0-7)** This is the address field for the X.86 transmitter and expected for the receiver. The register is reset to 0xfe.



Register Name: **LI.TRX86SAPIL**  
 Register Description: **Transmit Receive X.86 SAPIL**  
 Register Address: **0DCh**

Bit #	7	6	5	4	3	2	1	0
Name	TRSAPIL7	TRSAPIL6	TRSAPIL5	TRSAPIL4	TRSAPIL3	TRSAPIL2	TRSAPIL1	TRSAPIL0
Default	0	0	0	0	0	0	0	1

**Bits 0 – 7: X86 Transmit Receive Control (TRSAPIL0-7)** This is the address field for the X.86 transmitter and expected value for the receiver. The register is reset to 0x01

Register Name: **LI.CIR**  
 Register Description: **Committed Information Rate**  
 Register Address: **0DDh**

Bit #	7	6	5	4	3	2	1	0
Name	CIRE	CIR6	CIR5	CIR4	CIR3	CIR2	CIR1	CIR0
Default	0	0	0	0	0	0	0	1

**Bit 7: Committed Information Rate Enable (CIRE)** Set this bit to 1 to enable the Committed Information Rate Controller feature.

**Bits 0 – 6: Committed Information Rate (CIR0-6)** These bits provide the value for the committed information rate. The value is multiplied by 500 Kbit/s to get the CIR value. The user must ensure that the CIR value is less than or equal to the maximum Serial Interface transmit rate. The valid range is from 1 to 104. Any values outside this range will result in unpredictable behavior. Note that a value of 104 translates to a 52 Mbit/s line rate. Hence if the CIR is above the line rate, the rate is not restricted by the CIR. For instance - if using a T1 line and the CIR is programmed with a value of 104, it has no effect in restricting the rate.

**9.5.5 Receive Serial Interface**

Serial Receive Registers are used to control the HDLC Receiver associated with each Serial Interface. Note that throughout this document HDLC Processor is also referred to as “Packet Processor”. The receive packet processor block has seventeen registers.

Register Name: **LI.RPPCL**  
 Register Description: **Receive Packet Processor Control Low Register**  
 Register Address: **101h**

Bit #	7	6	5	4	3	2	1	0
Name	-	-	RFPD	RF16	RFED	RDD	RBRE	RCCE
Default	0	0	0	0	0	0	0	0

**Bit 5: Receive FCS Processing Disable (RFPD)** – When equal to 0, FCS processing is performed and FCS is appended to packets. When set to 1, FCS processing is disabled (the packets do not have an FCS appended). In X.86 mode, FCS processing is always enabled.

**Bit 4: Receive FCS-16 Enable (RF16)** – When 0, the error checking circuit uses a 32-bit FCS. When 1, the error checking circuit uses a 16-bit FCS. This bit is ignored when FCS processing is disabled. In X.86 mode, the FCS is always 32 bits.

**Bit 3: Receive FCS Extraction Disable (RFED)** – When 0, the FCS bytes are discarded. When 1, the FCS bytes are passed on. This bit is ignored when FCS processing is disabled. In X.86 mode, FCS bytes are discarded.

**Bit 2: Receive Descrambling Disable (RDD)** – When equal to 0,  $X^{43}+1$  descrambling is performed. When set to 1, descrambling is disabled.

**Bit 1: Receive Bit Reordering Enable (RBRE)** – When equal to 0, reordering is disabled and the first bit received is expected to be the MSB DT [7] of the byte. When set to 1, bit reordering is enabled and the first bit received is expected to be the LSB DT [0] of the byte. Note that function is controlled by the BREO in Hardware Mode.

**Bit 0: Receive Clear Channel Enable (RCCE)** – When equal to 0, packet processing is enabled. When set to 1, the device is in clear channel mode and all packet-processing functions except descrambling and bit reordering are disabled.

Register Name: **LI.RMPSCCL**  
 Register Description: **Receive Maximum Packet Size Control Low Register**  
 Register Address: **102h**

Bit #	7	6	5	4	3	2	1	0
Name	RMX7	RMX6	RMX5	RMX4	RMX3	RMX2	RMX1	RMX0
Default	1	1	1	0	0	0	0	0

**Bits 0 - 7: Receive Maximum Packet Size (RMX[7:0])** Eight bits of a sixteen bit value. Register description bellow.

Register Name: **LI.RMPSCH**  
 Register Description: **Receive Maximum Packet Size Control High Register**  
 Register Address: **103h**

Bit #	7	6	5	4	3	2	1	0
Name	RMX15	RMX14	RMX13	RMX12	RMX11	RMX10	RMX9	RMX8
Default	0	0	0	0	0	1	1	1

**Bits 0-7: Receive Maximum Packet Size (RMX[8:15])** These sixteen bits indicate the maximum allowable packet size in bytes. The size includes the FCS bytes, but excludes bit/byte stuffing. Note: If the maximum packet size is less than the minimum packet size, all packets are discarded. When packet processing is disabled, these sixteen bits indicate the "packet" size the incoming data is to be broken into.

The maximum packet size allowable is 2016 bytes plus the FCS bytes. Any values programmed that are greater than 2016 + FCS will have the same effect as 2016+ FCS value.

In X.86 mode, the X.86 encapsulation bytes are included in maximum size control.

Register Name: **LI.RPPSR**  
 Register Description: **Receive Packet Processor Status Register**  
 Register Address: **104h**

Bit #	7	6	5	4	3	2	1	0
Name	-	-	-	-	-	<u>REPC</u>	<u>RAPC</u>	<u>RSPC</u>
Default	0	0	0	0	0	0	0	0

**Bit 2: Receive FCS Errored Packet Count (REPC)** This read only bit indicates that the receive FCS errored packet count is non-zero.

**Bit 1: Receive Aborted Packet Count (RAPC)** This read only bit indicates that the receive aborted packet count is non-zero.

**Bit 0: Receive Size Violation Packet Count (RSPC)** This read only bit indicates that the receive size violation packet count is non-zero.

Register Name: **LI.RPPSRL**  
Register Description: **Receive Packet Processor Status Register Latched**  
Register Address: **105h**

Bit #	7	6	5	4	3	2	1	0
Name	<u>REPL</u>	<u>RAPL</u>	<u>RIPDL</u>	<u>RSPDL</u>	<u>RLPDL</u>	<u>REPCL</u>	<u>RAPCL</u>	<u>RSPCL</u>
Default	-	-	-	-	-	-	-	-

**Bit 7: Receive FCS Errored Packet Latched (REPL)** This bit is set when a packet with an errored FCS is detected.

**Bit 6: Receive Aborted Packet Latched (RAPL)** This bit is set when a packet with an abort indication is detected.

**Bit 5: Receive Invalid Packet Detected Latched (RIPDL)** This bit is set when a packet with a non-integer number of bytes is detected.

**Bit 4: Receive Small Packet Detected Latched (RSPDL)** This bit is set when a packet smaller than the minimum packet size is detected.

**Bit 3: Receive Large Packet Detected Latched (RLPDL)** This bit is set when a packet larger than the maximum packet size is detected.

**Bit 2: Receive FCS Errored Packet Count Latched (REPCL)** This bit is set when the REPC bit in the RPPSR register transitions from zero to one.

**Bit 1: Receive Aborted Packet Count Latched (RAPCL)** This bit is set when the RAPC bit in the RPPSR register transitions from zero to one.

**Bit 0: Receive Size Violation Packet Count Latched (RSPCL)** This bit is set when the RSPC bit in the RPPSR register transitions from zero to one.

Register Name: **LI.RPPSRIE**  
Register Description: **Receive Packet Processor Status Register Interrupt Enable**  
Register Address: **106h**

Bit #	7	6	5	4	3	2	1	0
Name	REPIE	RAPIE	RIPDIE	RSPDIE	RLPDIE	REPCIE	RAPCIE	RSPCIE
Default	0	0	0	0	0	0	0	0

**Bit 7: Receive FCS Errored Packet Interrupt Enable (REPIE)** This bit enables an interrupt if the REPL bit in the LI.RPPSRL register is set.

- 0 = interrupt disabled
- 1 = interrupt enabled

**Bit 6: Receive Aborted Packet Interrupt Enable (RAPIE)** This bit enables an interrupt if the RAPL bit in the LI.RPPSRL register is set.

- 0 = interrupt disabled
- 1 = interrupt enabled

**Bit 5: Receive Invalid Packet Detected Interrupt Enable (RIPDIE)** This bit enables an interrupt if the RIPDL bit in the LI.RPPSRL register is set.

- 0 = interrupt disabled
- 1 = interrupt enabled

**Bit 4: Receive Small Packet Detected Interrupt Enable (RSPDIE)** This bit enables an interrupt if the RSPDL bit in the LI.RPPSRL register is set.

- 0 = interrupt disabled
- 1 = interrupt enabled

**Bit 3: Receive Large Packet Detected Interrupt Enable (RLPDIE)** This bit enables an interrupt if the RLPDL bit in the LI.RPPSRL register is set.

- 0 = interrupt disabled
- 1 = interrupt enabled

**Bit 2: Receive FCS Errored Packet Count Interrupt Enable (REPCIE)** This bit enables an interrupt if the REPC bit in the LI.RPPSRL register is set. Must be set low when the packets do not have an FCS appended.

- 0 = interrupt disabled
- 1 = interrupt enabled

**Bit 1: Receive Aborted Packet Count Interrupt Enable (RAPCIE)** This bit enables an interrupt if the RAPCL bit in the LI.RPPSRL register is set.

- 0 = interrupt disabled
- 1 = interrupt enabled

**Bit 0: Receive Size Violation Packet Count Interrupt Enable (RSPCIE)** This bit enables an interrupt if the RSPCL bit in the LI.RPPSRL register is set.

- 0 = interrupt disabled
- 1 = interrupt enabled

Register Name: **LI.RPCB0**  
 Register Description: **Receive Packet Count Byte 0 Register**  
 Register Address: **108h**

Bit #	7	6	5	4	3	2	1	0
Name	<u>RPC7</u>	<u>RPC6</u>	<u>RPC5</u>	<u>RPC4</u>	<u>RPC3</u>	<u>RPC2</u>	<u>RPC1</u>	<u>RPC0</u>
Default	0	0	0	0	0	0	0	0

**Bits 0 - 7: Receive Packet Count (RPC [7:0])** Eight bits of a 24-bit value. Register description bellow.

Register Name: **LI.RPCB1**  
 Register Description: **Receive Packet Count Byte 1 Register**  
 Register Address: **109h**

Bit #	7	6	5	4	3	2	1	0
Name	<u>RPC15</u>	<u>RPC14</u>	<u>RPC13</u>	<u>RPC12</u>	<u>RPC11</u>	<u>RPC10</u>	<u>RPC09</u>	<u>RPC08</u>
Default	0	0	0	0	0	0	0	0

**Bits 0 - 7: Receive Packet Count (RPC [15:8])** Eight bits of a 24-bit value. Register description bellow.

Register Name: **LI.RPCB2**  
 Register Description: **Receive Packet Count Byte 2 Register**  
 Register Address: **10Ah**

Bit #	7	6	5	4	3	2	1	0
Name	<u>RPC23</u>	<u>RPC22</u>	<u>RPC21</u>	<u>RPC20</u>	<u>RPC19</u>	<u>RPC18</u>	<u>RPC17</u>	<u>RPC16</u>
Default	0	0	0	0	0	0	0	0

**Bits 0 – 7: Receive Packet Count (RPC [23:16])** These twenty-four bits indicate the number of packets stored in the receive FIFO without an abort indication. Note: Packets discarded due to system loopback or an overflow condition are included in this count. This register is valid when clear channel is enabled.

Register Name: **LI.RFPCB0**  
Register Description: **Receive FCS Errored Packet Count Byte 0 Register**  
Register Address: **10Ch**

Bit #	7	6	5	4	3	2	1	0
Name	<u>RFPC7</u>	<u>RFPC6</u>	<u>RFPC5</u>	<u>RFPC4</u>	<u>RFPC3</u>	<u>RFPC2</u>	<u>RFPC1</u>	<u>RFPC0</u>
Default	0	0	0	0	0	0	0	0

**Bits 0 – 7: Receive FCS Errored Packet Count (RFPC[7:0])** Eight bits of a 24-bit value. Register description bellow.

Register Name: **LI.RFPCB1**  
Register Description: **Receive FCS Errored Packet Count Byte 1 Register**  
Register Address: **10Dh**

Bit #	7	6	5	4	3	2	1	0
Name	<u>RFPC15</u>	<u>RFPC14</u>	<u>RFPC13</u>	<u>RFPC12</u>	<u>RFPC11</u>	<u>RFPC10</u>	<u>RFPC9</u>	<u>RFPC8</u>
Default	0	0	0	0	0	0	0	0

**Bits 0 – 7: Receive FCS Errored Packet Count (RFPC[15:8])** Eight bits of a 24-bit value. Register description bellow.

Register Name: **LI.RFPCB2**  
Register Description: **Receive FCS Errored Packet Count Byte 2 Register**  
Register Address: **10Eh**

Bit #	7	6	5	4	3	2	1	0
Name	<u>RFPC23</u>	<u>RFPC22</u>	<u>RFPC21</u>	<u>RFPC20</u>	<u>RFPC19</u>	<u>RFPC18</u>	<u>RFPC17</u>	<u>RFPC16</u>
Default	0	0	0	0	0	0	0	0

**Receive FCS Errored Packet Count (RFPC[23:16])** These twenty-four bits indicate the number of packets received with an FCS error. The byte count for these packets is included in the receive aborted byte count register REBCR.

Register Name: **LI.RAPCB0**  
 Register Description: **Receive Aborted Packet Count Byte 0 Register**  
 Register Address: **110h**

Bit #	7	6	5	4	3	2	1	0
Name	<u>RAPC7</u>	<u>RAPC6</u>	<u>RAPC5</u>	<u>RAPC4</u>	<u>RAPC3</u>	<u>RAPC2</u>	<u>RAPC1</u>	<u>RAPC0</u>
Default	0	0	0	0	0	0	0	0

**Bits 0 - 7: Receive Aborted Packet Count (RAPC [7:0])** Eight bits of a 24-bit value. Register description below.

Register Name: **LI.RAPCB1**  
 Register Description: **Receive Aborted Packet Count Byte 1 Register**  
 Register Address: **111h**

Bit #	7	6	5	4	3	2	1	0
Name	<u>RAPC15</u>	<u>RAPC14</u>	<u>RAPC13</u>	<u>RAPC12</u>	<u>RAPC11</u>	<u>RAPC10</u>	<u>RAPC9</u>	<u>RAPC8</u>
Default	0	0	0	0	0	0	0	0

**Bits 0 - 7: Receive Aborted Packet Count (RAPC[15:8])** Eight bits of a 24-bit value. Register description below.

Register Name: **LI.RAPCB2**  
 Register Description: **Receive Aborted Packet Count Byte 2 Register**  
 Register Address: **112h**

Bit #	7	6	5	4	3	2	1	0
Name	<u>RAPC23</u>	<u>RAPC22</u>	<u>RAPC21</u>	<u>RAPC20</u>	<u>RAPC19</u>	<u>RAPC18</u>	<u>RAPC17</u>	<u>RAPC16</u>
Default	0	0	0	0	0	0	0	0

**Bits 0 – 7: Receive Aborted Packet Count (RAPC [23:16])** The twenty-four bit value from these three registers indicates the number of packets received with a packet abort indication. The byte count for these packets is included in the receive aborted byte count register REBCR.



Register Name: **LI.RSPCB0**  
 Register Description: **Receive Size Violation Packet Count Byte 0 Register**  
 Register Address: **114h**

Bit #	7	6	5	4	3	2	1	0
Name	<u>RSPC7</u>	<u>RSPC6</u>	<u>RSPC5</u>	<u>RSPC4</u>	<u>RSPC3</u>	<u>RSPC2</u>	<u>RSPC1</u>	<u>RSPC0</u>
Default	0	0	0	0	0	0	0	0

**Bits 0 - 7: Receive Size Violation Packet Count (RSPC [7:0])** Eight bits of a 24-bit value. Register description bellow.

Register Name: **LI.RSPCB1**  
 Register Description: **Receive Size Violation Packet Count Byte 1 Register**  
 Register Address: **115h**

Bit #	7	6	5	4	3	2	1	0
Name	<u>RSPC15</u>	<u>RSPC14</u>	<u>RSPC13</u>	<u>RSPC12</u>	<u>RSPC11</u>	<u>RSPC10</u>	<u>RSPC9</u>	<u>RSPC8</u>
Default	0	0	0	0	0	0	0	0

**Bits 0 - 7: Receive Size Violation Packet Count (RSPC [15:8])** Eight bits of a 24-bit value. Register description bellow.

Register Name: **LI.RSPCB2**  
 Register Description: **Receive Size Violation Packet Count Byte 2 Registers**  
 Register Address: **116h**

Bit #	7	6	5	4	3	2	1	0
Name	<u>RSPC23</u>	<u>RSPC22</u>	<u>RSPC21</u>	<u>RSPC20</u>	<u>RSPC19</u>	<u>RSPC18</u>	<u>RSPC17</u>	<u>RSPC16</u>
Default	0	0	0	0	0	0	0	0

**Bits 0 – 7: Receive Size Violation Packet Count (RSPC [23:16])** These twenty-four bits indicate the number of packets received with a packet size violation (below minimum, above maximum, or non-integer number of bytes). The byte count for these packets is included in the receive aborted byte count register REBCR.

Register Name: **LI.RBC0**  
 Register Description: **Receive Byte Count 0 Register**  
 Register Address: **118h**

Bit #	7	6	5	4	3	2	1	0
Name	<u>RBC7</u>	<u>RBC6</u>	<u>RBC5</u>	<u>RBC4</u>	<u>RBC3</u>	<u>RBC2</u>	<u>RBC1</u>	<u>RBC0</u>
Default	0	0	0	0	0	0	0	0

**Bits 0 - 7: Receive Byte Count (RBC [7:0])** Eight bits of a 32-bit value. Register description below.

Register Name: **LI.RBC1**  
 Register Description: **Receive Byte Count 1 Register**  
 Register Address: **119h**

Bit #	7	6	5	4	3	2	1	0
Name	<u>RBC15</u>	<u>RBC14</u>	<u>RBC13</u>	<u>RBC12</u>	<u>RBC11</u>	<u>RBC10</u>	<u>RBC9</u>	<u>RBC8</u>
Default	0	0	0	0	0	0	0	0

**Bits 0 - 7: Receive Byte Count (RBC [15:8])** Eight bits of a 32-bit value. Register description below.

Register Name: **LI.RBC2**  
 Register Description: **Receive Byte Count 2 Register**  
 Register Address: **11Ah**

Bit #	7	6	5	4	3	2	1	0
Name	<u>RBC23</u>	<u>RBC22</u>	<u>RBC21</u>	<u>RBC20</u>	<u>RBC19</u>	<u>RBC18</u>	<u>RBC17</u>	<u>RBC16</u>
Default	0	0	0	0	0	0	0	0

**Bits 0 - 7: Receive Byte Count (RBC [23:16])** Eight bits of a 32-bit value. Register description below.

Register Name: **LI.RBC3**  
 Register Description: **Receive Byte Count 3 Register**  
 Register Address: **11Bh**

Bit #	7	6	5	4	3	2	1	0
Name	<u>RBC31</u>	<u>RBC30</u>	<u>RBC29</u>	<u>RBC28</u>	<u>RBC27</u>	<u>RBC26</u>	<u>RBC25</u>	<u>RBC24</u>
Default	0	0	0	0	0	0	0	0

**Bits 0 – 7: Receive Byte Count (RBC [31:24])** These thirty-two bits indicate the number of bytes contained in packets stored in the receive FIFO without an abort indication. Note: Bytes discarded due to FCS extraction, system loopback, FIFO reset, or an overflow condition may be included in this count.

Register Name: **LI.RAC0**  
 Register Description: **Receive Aborted Byte Count 0 Register**  
 Register Address: **11Ch**

Bit #	7	6	5	4	3	2	1	0
Name	<u>REBC7</u>	<u>REBC6</u>	<u>REBC5</u>	<u>REBC4</u>	<u>REBC3</u>	<u>REBC2</u>	<u>REBC1</u>	<u>REBC0</u>
Default	0	0	0	0	0	0	0	0

**Bits 0 - 7: Receive Aborted Byte Count (RBC [7:0])** Eight bits of a 32-bit value. Register description below.

Register Name: **LI.RAC1**  
 Register Description: **Receive Aborted Byte Count 1 Register**  
 Register Address: **11Dh**

Bit #	7	6	5	4	3	2	1	0
Name	<u>REBC15</u>	<u>REBC14</u>	<u>REBC13</u>	<u>REBC12</u>	<u>REBC11</u>	<u>REBC10</u>	<u>REBC9</u>	<u>REBC8</u>
Default	0	0	0	0	0	0	0	0

**Bits 0 - 7: Receive Aborted Byte Count (RBC [15:8])** Eight bits of a 32-bit value. Register description below.

Register Name: **LI.RAC2**  
 Register Description: **Receive Aborted Byte Count 2 Register**  
 Register Address: **11Eh**

Bit #	7	6	5	4	3	2	1	0
Name	<u>REBC23</u>	<u>REBC22</u>	<u>REBC21</u>	<u>REBC20</u>	<u>REBC19</u>	<u>REBC18</u>	<u>REBC17</u>	<u>REBC16</u>
Default	0	0	0	0	0	0	0	0

**Bits 0 - 7: Receive Aborted Byte Count (RBC [16:23])** Eight bits of a 32-bit value. Register description below.

Register Name: **LI.RAC3**  
 Register Description: **Receive Aborted Byte Count 3 Register**  
 Register Address: **11Fh**

Bit #	7	6	5	4	3	2	1	0
Name	<u>REBC31</u>	<u>REBC30</u>	<u>REBC29</u>	<u>REBC28</u>	<u>REBC27</u>	<u>REBC26</u>	<u>REBC25</u>	<u>REBC24</u>
Default	0	0	0	0	0	0	0	0

**Bits 0 - 7: Receive Aborted Byte Count (REBC[31:24])** These thirty-two bits indicate the number of bytes contained in packets stored in the receive FIFO with an abort indication. Note: Bytes discarded due to FCS extraction, system loopback, FIFO reset, or an overflow condition may be included in this count.

Register Name: **LI.RHPMUU**  
 Register Description: **Serial Interface Receive HDLC PMU Update Register**  
 Register Address: **120h**

Bit #	7	6	5	4	3	2	1	0
Name	-	-	-	-	-	-	-	RPMUU
Default	0	0	0	0	0	0	0	0

**Bit 0: Receive PMU Update (RPMUU)** This signal causes the receive cell/packet processor block performance monitoring registers to be updated. A 0 to 1 transition causes the performance monitoring registers to be updated with the latest data, and resets the associated counters. This bit updates performance monitoring counters for the Serial Interface.

Register Name: **LI.RHPMUS**  
 Register Description: **Serial Interface Receive HDLC PMU Update Status Register**  
 Register Address: **121h**

Bit #	7	6	5	4	3	2	1	0
Name	-	-	-	-	-	-	-	RPMUUS
Default	0	0	0	0	0	0	0	0

**Bit 0: Receive PMU Update Status (RPMUUS)** This bit is set when the Transmit PMU Update is completed. This bit is cleared when RPMUU is set to 0.

Register Name: **LI.RX86S**  
 Register Description: **Receive X.86 Latched Status Register**  
 Register Address: **122h**

Bit #	7	6	5	4	3	2	1	0
Name	-	-	-	-	SAPIHNE	SAPILNE	CNE	ANE
Default	-	-	-	-	-	-	-	-

**Bit 3: SAPI High is not equal to LI.TRX86SAPIH Latched Status (SAPIHNE)** This latched status bit is set if SAPIH is not equal to LI.TRX86SAPIH. This latched status bit is cleared upon read.

**Bit 2: SAPI Low is not equal to LI.TRX86SAPIL Latched Status (SAPILNE)** This latched status bit is set if SAPIL is not equal to LI.TRX86SAPIL. This latched status bit is cleared upon read.

**Bit 1: Control is not equal to LI.TRX8C (CNE)** This latched status bit is set if the control field is not equal to LI.TRX8C. This latched status bit is cleared upon read.

**Bit 0: Address is not equal to LI.TRX86A (ANE)** This latched status bit is set if the X.86 Address field is not equal to LI.TRX86A. This latched status bit is cleared upon read.

Register Name: **LI.RX86LSIE**  
 Register Description: **Receive X.86 Interrupt Enable**  
 Register Address: **123h**

Bit #	7	6	5	4	3	2	1	0
Name	-	-	-	-	SAPINE01IM	SAPINEFEIM	CNE3LI M	ANE4IM
Default	0	0	0	0	0	0	0	0

**Bit 3: SAPI Octet not equal to LI.TRX86SAPIH Interrupt Enable (SAPINE01IM)** If this bit is set to 1, LI.RX86S.SAPIHNE will generate an interrupt.

**Bit 2: SAPI Octet not equal to LI.TRX86SAPIL Interrupt Enable (SAPINEFEIM)** If this bit is set to 1, LI.RX86S.SAPILNE will generate an interrupt.

**Bit 1: Control not equal to LI.TRX8C Interrupt Enable (CNE3LIM)** If this bit is set to 1, LI.RX86S.CNE will generate an interrupt.

**Bit 0: Address not equal to LI.TRX86A Interrupt Enable (ANE4IM)** If this bit is set to 1, LI.RX86S.ANE will generate an interrupt.

Register Name: **LI.TQLT**  
 Register Description: **Serial Interface Transmit Queue Low Threshold (Watermark)**  
 Register Address: **124h**

Bit #	7	6	5	4	3	2	1	0
Name	TQLT7	TQLT6	TQLT5	TQLT4	TQLT3	TQLT2	TQLT1	TQLT0
Default	0	0	0	0	0	0	0	0

**Bits 0 - 7: Transmit Queue Low Threshold (TQLT[0:7])** The transmit queue low threshold for the connection, in increments of 32 packets of 2048 bytes each. The value of this register is multiplied by 32 \* 2048 bytes to determine the byte location of the threshold. Note that the transmit queue is for data that was received from the Serial Interface to be sent to the Ethernet Interface.

Register Name: **LI.TQHT**  
 Register Description: **Serial Interface Transmit Queue High Threshold (Watermark)**  
 Register Address: **125h**

Bit #	7	6	5	4	3	2	1	0
Name	TQHT7	TQHT6	TQHT5	TQHT4	TQHT3	TQHT2	TQHT1	TQHT0
Default	0	0	0	0	0	0	0	0

**Bits 0 – 7: Transmit Queue High Threshold (TQHT[0:7])** The transmit queue high threshold for the connection, in increments of 32 packets of 2048 bytes each. The value of this register is multiplied by 32 \* 2048 bytes to determine the byte location of the threshold. Note that the transmit queue is for data that was received from the Serial Interface to be sent to the Ethernet Interface.

Register Name: **LI.TQTIE**  
 Register Description: **Serial Interface Transmit Queue Cross Threshold Interrupt Enable**  
 Register Address: **126h**

Bit #	7	6	5	4	3	2	1	0
Name	-	-	-	-	TFOVFIE	TQOVFIE	TQHTIE	TQLTIE
Default	0	0	0	0	0	0	0	0

**Bit 3: Transmit FIFO Overflow for Connection Interrupt Enable (TFOVFIE)** If this bit is set, the watermark interrupt is enabled for TFOVFLS.

**Bit 2: Transmit Queue Overflow for Connection Interrupt Enable (TQOVFIE)** If this bit is set, the watermark interrupt is enabled for TQOVFLS.

**Bit 1: Transmit Queue for Connection High Threshold Interrupt Enable (TQHTIE)** If this bit is set, the watermark interrupt is enabled for TQHTS.

**Bit 0: Transmit Queue for Connection Low Threshold Interrupt Enable (TQLTIE)** If this bit is set, the watermark interrupt is enabled for TQLTS.

Register Name: **LI.TQCTLS**  
 Register Description: **Serial Interface Transmit Queue Cross Threshold Latched Status**  
 Register Address: **127h**

Bit #	7	6	5	4	3	2	1	0
Name	-	-	-	-	TFOVFLS	TQOVFLS	TQHTLS	TQLTLS
Default	-	-	-	-	-	-	-	-

**Bit 3: Transmit Queue FIFO Overflowed Latched Status (TFOVFLS)** This bit is set if the transmit queue FIFO has overflowed. This register is cleared after a read. This FIFO is for data to be transmitted from the HDLC to be sent to the SDRAM.

**Bit 2: Transmit Queue Overflow Latched Status (TQOVFLS)** This bit is set if the transmit queue has overflowed. This register is cleared after a read.

**Bit 1: Transmit Queue for Connection Exceeded High Threshold Latched Status (TQHTLS)** This bit is set if the transmit queue crosses the High Watermark. This register is cleared after a read.

**Bit 0: Transmit Queue for Connection Exceeded Low Threshold Latched Status (TQLTLS)** This bit is set if the transmit queue crosses the Low Watermark. This register is cleared after a read.

**9.6 Ethernet Interface Registers**

The Ethernet Interface registers are used to configure RMII/MII bus operation and establish the MAC parameters as required by the user. The MAC Registers cannot be addressed directly from the Processor port. The registers bellow are used to perform indirect read or write operations to the MAC registers. The MAC Status Registers are shown in Table 9-7. Accessing the MAC Registers is described in the section 8.14.

**9.6.1 Ethernet Interface Register Bit Descriptions**

Register Name: **SU.MACRADL**  
 Register Description: **MAC Read Address Low Register**  
 Register Address: **140h**

Bit #	7	6	5	4	3	2	1	0
Name	MACRA7	MACRA6	MACRA5	MACRA4	MACRA3	MACRA2	MACRA1	MACRA0
	0	0	0	0	0	0	0	0

**Bits 0 – 7: MAC Read Address (MACRA0-7)** Low byte of the MAC address. Used only for read operations.

Register Name: **SU.MACRADH**  
 Register Description: **MAC Read Address High Register**  
 Register Address: **141h**

Bit #	7	6	5	4	3	2	1	0
Name	MACRA15	MACRA14	MACRA13	MACRA12	MACRA11	MACRA10	MACRA9	MACRA8
	0	0	0	0	0	0	0	0

**Bits 0 – 7: MAC Read Address (MACRA8-15)** High byte of the MAC address. Used only for read operations.

Register Name: **SU.MACRD0**  
 Register Description: **MAC Read Data Byte 0**  
 Register Address: **142h**

Bit #	7	6	5	4	3	2	1	0
Name	MACRD7	MACRD6	MACRD5	MACRD4	MACRD3	MACRD2	MACRD1	MACRD0
	0	0	0	0	0	0	0	0

**Bits 0 – 7: MAC Read Data 0 (MACRD0-7)** One of four bytes of data read from the MAC. Valid after a read command has been issued and the SU.MACRWC.MCS bit is zero.

Register Name: **SU.MACRD1**  
 Register Description: **MAC Read Data Byte 1**  
 Register Address: **143h**

Bit #	7	6	5	4	3	2	1	0
Name	MACRD15	MACRD14	MACRD13	MACRD12	MACRD11	MACRD10	MACRD9	MACRD8
	0	0	0	0	0	0	0	0

**Bits 0 - 7: MAC Read Data 1 (MACRD8-15)** One of four bytes of data read from the MAC. Valid after a read command has been issued and the SU.MACRWC.MCS bit is zero.

Register Name: **SU.MACRD2**  
 Register Description: **MAC Read Data Byte 2**  
 Register Address: **144h**

Bit #	7	6	5	4	3	2	1	0
Name	MACRD23	MACRD22	MACRD21	MACRD20	MACRD19	MACRD18	MACRD17	MACRD16
	0	0	0	0	0	0	0	0

**Bits 0 – 7: MAC Read Data 2 (MACRD16-23)** One of four bytes of data read from the MAC. Valid after a read command has been issued and the SU.MACRWC.MCS bit is zero.

Register Name: **SU.MACRD3**  
 Register Description: **MAC Read Data byte 3**  
 Register Address: **145h**

Bit #	7	6	5	4	3	2	1	0
Name	MACRD31	MACRD30	MACRD29	MACRD28	MACRD27	MACRD26	MACRD25	MACRD24
	0	0	0	0	0	0	0	0

**Bits 0 – 7: MAC Read Data 3 (MACRD24-31)** One of four bytes of data read from the MAC. Valid after a read command has been issued and the SU.MACRWC.MCS bit is zero.

Register Name: **SU.MACWD0**  
 Register Description: **MAC Write Data 0**  
 Register Address: **146h**

Bit #	7	6	5	4	3	2	1	0
Name	MACWD7	MACWD6	MACWD5	MACWD4	MACWD3	MACWD2	MACWD1	MACWD0
	0	0	0	0	0	0	0	0

**Bits 0 – 7: MAC Write Data 0 (MACWD0-7)** One of four bytes of data to be written to the MAC. Data has been written after a write command has been issued and the SU.MACRWC.MCS bit is zero.



Register Name: **SU.MACWD1**  
 Register Description: **MAC Write Data 1**  
 Register Address: **147h**

Bit #	7	6	5	4	3	2	1	0
Name	MACWD15	MACWD14	MACWD13	MACWD12	MACWD11	MACWD10	MACWD09	MACWD08
Default	0	0	0	0	0	0	0	0

**Bits 0 – 7: MAC Write Data 1 (MACWD8-15)** One of four bytes of data to be written to the MAC. Data has been written after a write command has been issued and the SU.MACRWC.MCS bit is zero.

Register Name: **SU.MACWD2**  
 Register Description: **MAC Write Data Register 2**  
 Register Address: **148h**

Bit #	7	6	5	4	3	2	1	0
Name	MACWD23	MACWD22	MACWD21	MACWD20	MACWD19	MACWD18	MACWD17	MACWD16
Default	0	0	0	0	0	0	0	0

**Bits 0 - 7: MAC Write Data 2 (MACWD16-23)** One of four bytes of data to be written to the MAC. Data has been written after a write command has been issued and the SU.MACRWC.MCS bit is zero.

Register Name: **SU.MACWD3**  
 Register Description: **MAC Write Data 3**  
 Register Address: **149h**

Bit #	7	6	5	4	3	2	1	0
Name	MACD31	MACD30	MACD29	MACD28	MACD27	MACD26	MACD25	MACD24
Default	0	0	0	0	0	0	0	0

**Bits 0 – 7: MAC Write Data 3 (MACD24-31)** One of four bytes of data to be written to the MAC. Data has been written after a write command has been issued and the SU.MACRWC.MCS bit is zero.

Register Name: **SU.MACAWL**  
 Register Description: **MAC Address Write Low**  
 Register Address: **14Ah**

Bit #	7	6	5	4	3	2	1	0
Name	MACAW 7	MACAW 6	MACAW 5	MACAW4	MACAW3	MACAW2	MACAW1	MACAW0
Default	0	0	0	0	0	0	0	0

**Bits 0 -7: MAC Write Address (MACAW0-7)** Low byte of the MAC address. Used only for write operations.

Register Name: **SU.MACAWH**  
Register Description: **MAC Address Write High**  
Register Address: **14Bh**

Bit #	7	6	5	4	3	2	1	0
Name	MACAW 15	MACAW 14	MACAW 13	MACAW 12	MACAW 11	MACAW 10	MACAW 9	MACAW 8
	0	0	0	0	0	0	0	0

**Bits 0 – 7: MAC Write Address (MACAW8-15)** High byte of the MAC address. Used only for write operations.

Register Name: **SU.MACRWC**  
Register Description: **MAC Read Write Command Status**  
Register Address: **14Ch**

Bit #	7	6	5	4	3	2	1	0
Name	-	-	-	-	-	-	MCRW	MCS
Default	0	0	0	0	0	0	0	0

**Bit 1: MAC Command RW (MCRW)** If this bit is written to 1, a read is performed from the MAC. If this bit is written to 0, a write operation is performed. Address information for write operations must be located in SU.MACAWH and SU.MACAWL. Address information for read operations must be located in SU.MACRADH and SU.MACRADL. The user must also write a 1 to the MCS bit, and the DS33Z41 will clear MCS when the operation is complete.

**Bit 0: MAC Command Status (MCS)** Setting MCS in conjunction with MCRW will initiate a read or write to the MAC registers. Upon completion of the read or write this bit is cleared. Once a read or write command has been initiated the host must poll this bit to see when the operation is complete.

Register Name: **SU.LPBK**  
 Register Description: **Ethernet Interface Loopback Control Register**  
 Register Address: **14Fh**

Bit #	7	6	5	4	3	2	1	0
Name	-	-	-	-	-	-	-	QLP
Default	0	0	0	0	0	0	0	0

**Bit 0: Queue Loopback Enable (QLP)** If this bit is set to 1, data from the Ethernet Interface receive queue is looped back to the transmit queue. Buffered data from the serial interface will remain until the loopback is removed.

Register Name: **SU.GCR**  
 Register Description: **Ethernet Interface General Control Register**  
 Register Address: **150h**

Bit #	7	6	5	4	3	2	1	0
Name	-	-	-	-	CRCS	H10S	ATFLOW	JAME
Default	0	0	0	0	0	0	1	0

**Bit 3: CRCS** If this bit is zero (default), the received MAC or Ethernet Frame CRC is stripped before the data is encapsulated and transmitted on the serial interface. Data received from the serial interface is decapsulated, a CRC is recalculated and appended to the packet for transmission to the Ethernet interface. If this bit is set to 1, the CRC is not stripped from received packets prior to encapsulation and transmission to the serial interface, and data received from the serial interface is decapsulated directly. No CRC recalculation is performed on data received from the serial interface. Note that the maximum packet size supported by the Ethernet interface is still 2016 (this includes the 4 bytes of CRC).

**Bit 2: H10S** If this bit is set the MAC will operate at 100 Mbit/s. If this bit is zero, the MAC will operate at 10 Mbit/s. This bit controls the 10/100 selection for RMII and DCE Mode. In DTE and MII mode, the MAC determines the data rate from the incoming TX\_CLK and RX\_CLK.

**Bit 1: Automatic Flow Control Enable (ATFLOW)** If this bit is set to 1, automatic flow control is enabled based on the connection receive queue size and high watermarks. Pause frames are sent automatically in full duplex mode. The pause time must be programmed through SU.MACFCR. The jam sequence will not be sent automatically in half duplex mode unless the JAME bit is set. This bit is applicable only in software mode.

**Bit 0: Jam Enable (JAME)** If this bit is set to 1, a Jam sequence is sent for a duration of 4 bytes. This function is only valid in half duplex mode, and will only function if Automatic Flow Control is disabled. Note that if the receive queue size is less than receive high threshold, setting a JAME will JAM one received frame. If JAME is set and the receiver queue size is higher than the high threshold, all received frames are jammed until the queue empties below the threshold.

Note that SU.GCR is only valid in the software mode. In hardware mode, pins are used to control Automatic flow control and 100/10-speed selection.

Register Name: **SU.TFRC**  
Register Description: **Transmit Frame Resend Control**  
Register Address: **151h**

Bit #	7	6	5	4	3	2	1	0
Name	-	-	-	-	NCFQ	TPDFCB	TPRHBC	TPRCB
Default	0	0	0	0	0	0	0	0

**Bit 3: No Carrier Queue Flush Bar (NCFQ)** If this bit is set to 1, the queue for data passing from Serial Interface to Ethernet Interface will not be flushed when loss of carrier is detected.

**Bit 2: Transmit Packet Deferred Fail Control Enable (TPDFCB)** If this bit is set to 1, the current frame is transmitted immediately instead of being deferred. If this bit is set to 0, the frame is deferred if CRS is asserted and sent when the CRS is unasserted indicating the media is idle.

**Bit 1: Transmit Packet HB Fail Control Bar (TPRHBC)** If this bit is set to 1, the current frame will not be retransmitted if a heartbeat failure is detected.

**Bit 0: Transmit Packet Resend Control Bar (TPRCB)** If this bit is set to 1, the current frame will not be retransmitted if any of the following errors have occurred:

- Jabber time out
- Loss of carrier
- Excessive deferral
- Late collision
- Excessive collisions
- Under run
- Collision

Note that blocking retransmission due to collision (applicable in MII/Half Duplex Mode) can result in unpredictable system level behavior.

Register Name: **SU.TFSL**  
 Register Description: **Transmit Frame Status Low**  
 Register Address: **152h**

Bit #	7	6	5	4	3	2	1	0
Name	UR	EC	LC	ED	LOC	NOC	-	FABORT
Default	0	0	0	0	0	0	0	0

**Bit 7: Under Run (UR)** When this bit is set to 1, the frame was aborted due to a data under run condition of the transmit buffer.

**Bit 6: Excessive Collisions (EC)** When this bit is set to 1, a frame has been aborted after 16 successive collisions while attempting to transmit the current frame. If the Disable Retry bit is set to 1, then Excessive Collisions will be set to 1 after the first collision.

**Bit 5: Late Collision (LC)** When this bit is set to 1, a frame was aborted by collision after the 64 bit collision window. Not valid if an under run has occurred.

**Bit 4: Excessive Deferral (ED)** When this bit is set to 1, a frame was aborted due to excessive deferral.

**Bit 3: Loss Of Carrier (LOC)** When this bit is set to 1, a frame was aborted due to loss of carrier for one or more bit times. Valid only for non-collided frames. Valid only in half-duplex operation.

**Bit 2: No Carrier (NOC)** When this bit is set to 1, a frame was aborted because no carrier was found for transmission.

**Bit 1: Reserved**

**Bit 0: Frame Abort (FABORT)** When this bit is set to 1, the MAC has aborted a frame for one of the above reasons. When this bit is clear, the previous frame has been transmitted successfully.

Register Name: **SU.TFSH**  
 Register Description: **Transmit Frame Status High**  
 Register Address: **153h**

Bit #	7	6	5	4	3	2	1	0
Name	PR	HBF	CC3	CC2	CC1	CC0	LCO	DEF
Default	0	0	0	0	0	0	0	0

**Bit 7: Packet Resend (PR)** When this bit is set, the current packet must be retransmitted due to a collision.

**Bit 6: Heartbeat Failure (HBF)** When this bit is set, the device failed to detect a heart beat after transmission. This bit is not valid if an under run has occurred.

**Bits 2-5: Collision Count (CC0-3)** These 4 bits indicate the number of collisions that occurred prior to successful transmission of the previous frame. Not valid if Excessive Collisions is set to 1.

**Bit 1: Late Collision (LCO)** When set to 1, the MAC observed a collision after the 64-byte collision window.

**Bit 0: Deferred Frame (DEF)** When set to 1, the current frame was deferred due to carrier assertion by another node after being ready to transmit.

Register Name: **SU.RFSB0**  
 Register Description: **Receive Frame Status Byte 0**  
 Register Address: **154h**

Bit #	7	6	5	4	3	2	1	0
Name	FL7	FL6	FL5	FL4	FL3	FL2	FL1	FL0
Default	0	0	0	0	0	0	0	0

**Bits 0 - 7: Frame Length (FL[0:7])** These 8 bits are the low byte of the length (in bytes) of the received frame, with FCS and Padding. If Automatic Pad Stripping is enabled, this value is the length of the received packet without PCS or Pad bytes. The upper 6 bits are contained in SU.RFSB1.

Register Name: **SU.RFSB1**  
 Register Description: **Receive Frame Status Byte 1**  
 Register Address: **155h**

Bit #	7	6	5	4	3	2	1	0
Name	RF	WT	FL13	FL12	FL11	FL10	FL9	FL8
Default	0	0	0	0	0	0	0	0

**Bit 7: Runt Frame (RF)** This bit is set to 1 if the received frame was altered by a collision or terminated within the collision window.

**Bit 6: Watchdog Timeout (WT)** This bit is set to 1 if a packet receive time exceeds 2048 byte times. After 2048 byte times the receiver is disabled and the received frame will fail CRC check.

**Bits 0-5: Frame Length (FL[8:13])** These 6 bits are the upper bits of the length (in bytes) of the received frame, with FCS and Padding. If Automatic Pad Stripping is enabled, this value is the length of the received packet without PCS or Pad bytes.

Register Name: **SU.RFSB2**  
 Register Description: **Receive Frame Status Byte 2**  
 Register Address: **156h**

Bit #	7	6	5	4	3	2	1	0
Name	-	-	CRCE	DB	MIIE	FT	CS	FTL
Default	0	0	0	0	0	0	0	0

**Bit 5: CRC Error (CRCE)** This bit is set to 1 if the received frame does not contain a valid CRC value.

**Bit 4: Dribbling Bit (DB)** This bit is set to 1 if the received frame contains a non-integer multiple of 8 bits. It does not indicate that the frame is invalid. This bit is not valid for runt or collided frames.

**Bit 3: MII Error (MIIE)** This bit is set to 1 if an error was found on the MII bus.

**Bit 2: Frame Type (FT)** This bit is set to 1 if the received frame exceeds 1536 bytes. It is equal to zero if the received frame is an 802.3 frame. This bit is not valid for runt frames.

**Bit 1: Collision Seen (CS)** This bit is set to 1 if a late collision occurred on the received packet. A late collision is one that occurs after the 64 byte collision window.

**Bit 0: Frame Too Long (FTL)** This bit is set to 1 if a frame exceeds the 1518 byte maximum standard Ethernet frame. This bit is only an indication, and causes no frame truncation.

Register Name: **SU.RFSB3**  
Register Description: **Receive Frame Status Byte 3**  
Register Address: **157h**

Bit #	7	6	5	4	3	2	1	0
Name	MF	-	-	BF	MCF	UF	CF	LE
Default	0	0	0	0	0	0	0	0

**Bit 7: Missed Frame (MF)** This bit is set to 1 if the packet is not successfully received from the MAC by the packet Arbiter.

**Bit 4: Broadcast Frame (BF)** This bit is set to 1 if the current frame is a broadcast frame.

**Bit 3: Multicast Frame (MCF)** This bit is set to 1 if the current frame is a multicast frame.

**Bit 2: Unsupported Control Frame (UF)** This bit is set to 1 if the frame received is a control frame with an opcode that is not supported. If the Control Frame bit is set, and the Unsupported Control Frame bit is clear, then a pause frame has been received and the transmitter is paused.

**Bit 1: Control Frame (CF)** This bit is set to 1 when the current frame is a control frame. This bit is only valid in full-duplex mode.

**Bit 0: Length Error (LE)** This bit is set to 1 when the frames length field and the actual byte count are unequal. This bit is only valid for 802.3 frames.

Register Name: **SU.RMFSRL**  
 Register Description: **Receiver Maximum Frame Low Register**  
 Register Address: **158h**

Bit #	7	6	5	4	3	2	1	0
Name	RMPS7	RMPS6	RMPS5	RMPS4	RMPS3	RMPS2	RMPS1	RMPS0
Default	1	1	1	0	0	0	1	0

**Bits 7- 0: Receiver Maximum Frame (RMPS[0:7])** Eight bits of sixteen bit value. Register description bellow.

Register Name: **SU.RMFSRH**  
 Register Description: **Receiver Maximum Frame High Register**  
 Register Address: **159h**

Bit #	7	6	5	4	3	2	1	0
Name	RMPS15	RMPS14	RMPS13	RMPS12	RMPS11	RMPS10	RMPS9	RMPS8
Default	0	0	0	0	0	1	1	1

**Bits 7- 0: Receiver Maximum Frame (RMPS[8:15])** This value is the receiver's maximum frame size (in bytes), up to a maximum of 2016 bytes. Any frame received greater than this value is rejected. The frame size includes destination address, source address, type/length, data and crc-32. The frame size is not the same as the frame length encoded within the IEEE 802.3 frame. **Any values programmed that are greater than 2016 will have unpredictable behavior and should be avoided.**

Register Name: **SU.RQLT**  
 Register Description: **Receive Queue Low Threshold (Watermark)**  
 Register Address: **15Ah**

Bit #	7	6	5	4	3	2	1	0
Name	RQLT7	RQLT6	RQLT5	RQLT4	RQLT3	RQLT2	RQLT1	RQLT0
Default	0	0	1	1	0	1	1	1

**Bits 0 - 7: Receive Queue Low Threshold (RQLT[0:7])** The receive queue low threshold for the connection, in increments of 32 packets of 2048 bytes each. The value of this register is multiplied by 32 \* 2048 bytes to determine the byte location of the threshold. Note that the receive queue is for data that was received from the Ethernet Interface to be sent to the Serial Interface.

Register Name: **SU.RQHT**  
 Register Description: **Receive Queue High Threshold (Watermark)**  
 Register Address: **15Bh**

Bit #	7	6	5	4	3	2	1	0
Name	RQHT7	RQHT6	RQHT5	RQHT4	RQHT3	RQHT2	RQHT1	RQHT0
Default	0	0	1	1	1	0	1	0

**Bits 0 – 7: Receive Queue High Threshold (RQTH[0:7])** The receive queue high threshold for the connection, in increments of 32 packets of 2048 bytes each. The value of this register is multiplied by 32 \* 2048 bytes to determine the byte location of the threshold. Note that the receive queue is for data that was received from the Ethernet Interface to be sent to the Serial Interface.



Register Name: **SU.QRIE**  
 Register Description: **Receive Queue Cross Threshold enable**  
 Register Address: **15Ch**

Bit #	7	6	5	4	3	2	1	0
Name	-	-	-	-	RFOVFIE	RQVFIE	RQLTIE	RQHTIE
Default	0	0	0	0	0	0	0	0

**Bit 3: Receive FIFO Overflow Interrupt Enable (RFOVFIE)** If this bit is set, the interrupt is enabled for RFOVFLS.

**Bit 2: Receive Queue Overflow Interrupt Enable (RQVFIE)** If this bit is set, the interrupt is enabled for RQOVFLS.

**Bit 1: Receive Queue Crosses Low Threshold Interrupt Enable (RQLTIE)** If this bit is set, the watermark interrupt is enabled for RQLTS.

**Bit 0: Receive Queue Crosses High Threshold Interrupt Enable (RQHTIE)** If this bit is set, the watermark interrupt is enabled for RQHTS.

Register Name: **SU.QCRLS**  
 Register Description: **Queue Cross Threshold Latched Status**  
 Register Address: **15Dh**

Bit #	7	6	5	4	3	2	1	0
Name	-	-	-	-	RFOVFLS	RQOVFLS	RQHTLS	RQLTLS
Default	-	-	-	-	-	-	-	-

**Bit 3: Receive FIFO Overflow latched Status (RFOVFLS)** This bit is set if the receive FIFO overflows for the data to be transmitted from the MAC to the SDRAM.

**Bit 2: Receive Queue Overflow Latched Status (RQOVFLS)** This bit is set if the receive queue has overflowed. This register is cleared after a read.

**Bit 1: Receive Queue for Connection Crossed High Threshold Latched Status (RQHTLS)** This bit is set if the receive queue crosses the high Watermark. This register is cleared after a read.

**Bit 0: Receive Queue for Connection Crossed Low Threshold latched status (RQLTLS)** This bit is set if the receive queue crosses the low Watermark. This register is cleared after a read.

Note the bit order differences in the high/low threshold indications in SU.QCRLS and the interrupt enables in SU.QRIE.

Register Name: **SU.RFRC**  
 Register Description: **Receive Frame Rejection Control**  
 Register Address: **15Eh**

Bit #	7	6	5	4	3	2	1	0
Name	-	UCFR	CFRR	LERR	CRCERR	DBR	MIIER	BFR
Default	0	0	0	0	0	0	0	0

**Bit 6: Uncontrolled Control Frame Reject (UCFR)** When set to 1, Control Frames other than Pause Frames are allowed. When this bit is equal to zero, non-pause control frames are rejected.

**Bit 5: Control Frame Reject (CFRR)** When set to 1, control frames are allowed. When this bit is equal to zero, all control frames are rejected.

**Bit 4: Length Error Reject (LERR)** When set to 1, frames with an unmatched frame length field and actual number of bytes received are allowed. When equal to zero, only frames with matching length fields and actual bytes received will be allowed.

**Bit 3: CRC Error Reject (CRCERR)** When set to 1, frames received with a CRC error or MII error are allowed. When equal to zero, frames with CRC or MII errors are rejected.

**Bit 2: Dribbling Bit Reject (DBR)** When set to 1, frames with lengths of non-integer multiples of 8 bits are allowed. When equal to zero, frames with dribbling bits are rejected. The dribbling bit setting is only valid only if there is not a collision or runt frame.

**Bit 1: MII Error Reject (MIIER)** When set to 1, frames are allowed with MII Receive Errors. When equal to zero, frames with MII errors are rejected.

**Bit 0: Broadcast Frame Reject (BFR)** When set to 1, broadcast frames are allowed. When equal to zero, broadcast frames are rejected.

## 9.6.2 MAC Registers

The control Registers related to the control of the individual Mac's are shown in the following Table. The DS33Z41 keeps statistics for the packet traffic sent and received. The register address map is shown in the following Table. Note that the addresses listed are the indirect addresses that must be provided to SU.MACRADH/SU.MACRADL or SU.MACAWH/SU.MACAWL.

Register Name: **SU.MACCR**  
 Register Description: **MAC Control Register**  
 Register Address: **0000h (indirect)**

### 0000h:

Bit #	31	30	29	28	27	26	25	24
Name	Reserved	Reserved	Reserved	HDB	PS	Reserved	Reserved	Reserved
Default	0	0	0	0	0	0	0	0

### 0001h:

Bit #	23	22	21	20	19	18	17	16
Name	DRO	Reserved	OMLO	F	Reserved	Reserved	Reserved	Reserved
Default	0	0	0	0	0	0	0	0

### 0002h:

Bit #	15	14	13	12	11	10	09	08
Name	Reserved	Reserved	Reserved	LCC	Reserved	DRTY	Reserved	ASTP
Default	0	0	0	0	0	0	0	0

### 0003h:

Bit #	07	06	05	04	03	02	01	00
Name	BOLMT1	BOLMT0	DC	Reserved	TE	RE	Reserved	Reserved
Default	0	0	0	0	0	0	0	0

**Bit 28: Heartbeat Disable (HDB)** When set to 1, the heartbeat (SQE) function is disabled. This bit should be set to 1 when operating in MII mode.

**Bit 27: Port Select (PS)** This bit should be equal to 0 for proper operation.

**Bit 23: Disable Receive Own (DRO)** When set to 1, the MAC disables the reception of frames while TX\_EN is asserted. When this bit equals zero, transmitted frames are also received by the MAC. This bit should be cleared when operating in full-duplex mode.

**Bit 21: Loopback Operating Mode (OMLO)** When set to 1, data is looped from the transmit side, back to the receive side, without being transmitted to the PHY.

**Bit 20: Full-Duplex Mode Select (F)** When set to 1, the MAC transmits and receives data simultaneously. When in full-duplex mode, the heartbeat check is disabled and the heartbeat fail status should be ignored.

**Bit 12: Late Collision Control (LCC)** When set to 1, enables retransmission of a collided packet even after the collision period. When this bit is clear, retransmission of late collisions is disabled.

**Bit 10: Disable Retry (DRTY)** When set to 1, the MAC makes only a single attempt to transmit each frame. If a collision occurs, the MAC ignores the current frame and proceeds to the next frame. When this bit equals 0, the MAC will retry collided packets 16 times before signaling a retry error.

**Bit 8: Automatic Pad Stripping (ASTP)** When set to 1, all incoming frames with less than 46 byte length are automatically stripped of the pad characters and FCS.

**Bits 6 - 7: Back-Off Limit (BOLMT[0:1])** These two bits allow the user to set the back-off limit used for the maximum retransmission delay for collided packets. Default operation limits the maximum delay for retransmission to a countdown of 10 bits from a random number generator. The user can reduce the maximum number of counter bits as described in the table below. See IEEE 802.3 for details of the back-off algorithm.

Bit 7	Bit 6	Random Number Generator Bits Used
0	0	10
0	1	8
1	0	4
1	1	1

**Bit 5: Deferral Check (DC)** When set to 1, the MAC will abort packet transmission if it has deferred for more than 24,288 bit times. The deferral counter starts when the transmitter is ready to transmit a packet, but is prevented from transmission because CRS is active. If the MAC begins transmission but a collision occurs after the beginning of transmission, the deferral counter is reset again. If this bit is equal to zero, then the MAC will defer indefinitely.

**Bit 3: Transmitter Enable (TE)** When set to 1, packet transmission is enabled. When equal to zero, transmission is disabled.

**Bit 2: Receiver Enable (RE)** When set to 1, packet reception is enabled. When equal to zero, packets are not received.

Register Name: **SU.MACAH**  
 Register Description: **MAC Address High Register**  
 Register Address: **0004h (indirect)**

**0004h:**

Bit #	31	30	29	28	27	26	25	24
Name	Reserved	Reserved	Reserved	Reserved	Reserved	Reserved	Reserved	Reserved
Default	1	1	1	1	1	1	1	1

**0005h:**

Bit #	23	22	21	20	19	18	17	16
Name	Reserved	Reserved	Reserved	Reserved	Reserved	Reserved	Reserved	Reserved
Default	1	1	1	1	1	1	1	1

**0006h:**

Bit #	15	14	13	12	11	10	09	08
Name	PADR47	PADR46	PADR45	PADR44	PADR43	PADR42	PADR41	PADR40
Default	1	1	1	1	1	1	1	1

**0007h:**

Bit #	07	06	05	04	03	02	01	00
Name	PADR39	PADR38	PADR37	PADR36	PADR35	PADR34	PADR33	PADR32
Default	1	1	1	1	1	1	1	1

**Bits 00 – 31: PADR[32:47]** These 32 bits should be initialized with the upper 4 bytes of the Physical Address for this MAC device.

Register Name: **SU.MACAL**  
 Register Description: **MAC Address Low Register**  
 Register Address: **0008h (indirect)**

**0008h:**

Bit #	31	30	29	28	27	26	25	24
Name	PADR31	PADR30	PADR29	PADR28	PADR27	PADR26	PADR25	PADR24
Default	1	1	1	1	1	1	1	1

**0009h:**

Bit #	23	22	21	20	19	18	17	16
Name	PADR23	PADR22	PADR21	PADR20	PADR19	PADR18	PADR17	PADR16
Default	1	1	1	1	1	1	1	1

**000Ah:**

Bit #	15	14	13	12	11	10	09	08
Name	PADR15	PADR14	PADR13	PADR12	PADR11	PADR10	PADR09	PADR08
Default	1	1	1	1	1	1	1	1

**000Bh:**

Bit #	07	06	05	04	03	02	01	00
Name	PADR07	PADR06	PADR05	PADR04	PADR03	PADR02	PADR01	PADR00
Default	1	1	1	1	1	1	1	1

**Bits 00 – 31: PADR[00:31]** These 32 bits should be initialized with the lower 4 bytes of the Physical Address for this MAC device.

Register Name: **SU.MACMIIA**  
 Register Description: **MAC MII Management (MDIO) Address Register**  
 Register Address: **0014h (indirect)**

**0014h:**

Bit #	31	30	29	28	27	26	25	24
Name	Reserved	Reserved	Reserved	Reserved	Reserved	Reserved	Reserved	Reserved
Default	0	0	0	0	0	0	0	0

**0015h:**

Bit #	23	22	21	20	19	18	17	16
Name	Reserved	Reserved	Reserved	Reserved	Reserved	Reserved	Reserved	Reserved
Default	0	0	0	0	0	0	0	0

**0016h:**

Bit #	15	14	13	12	11	10	09	08
Name	PHYA4	PHYA3	PHYA2	PHYA1	PHYA0	MIIA4	MIIA3	MIIA2
Default	0	1	0	1	1	0	1	0

**0017h:**

Bit #	07	06	05	04	03	02	01	00
Name	MIIA1	MIIA0	Reserved	Reserved	Reserved	Reserved	MIIW	MII B
Default	1	1	0	0	0	0	0	0

**Bits 11 - 15: PHY Address (PHYA[0:4])** These 5 bits select one of the 32 available PHY address locations to access through the PHY management (MDIO) bus.

**Bits 6 - 10: MII Address (MIIA[0:4])** - These 5 bits are the address location within the PHY that is being accessed.

**Bit 1: MII Write (MIIW)** Write this bit to 1 in order to execute a write instruction over the MDIO interface. Write the bit to zero to execute a read instruction.

**Bit 0: MII Busy (MII B)** This bit is set to 1 by the DS33Z41 during execution of a MII management instruction through the MDIO interface, and is set to zero when the DS33Z41 has completed the instruction. The user should read this bit and ensure that it is equal to zero prior to beginning a MDIO instruction.

Register Name: **SU.MACMIID**  
 Register Description: **MAC MII (MDIO) Data Register**  
 Register Address: **0018h (indirect)**

**0018h:**

Bit #	31	30	29	28	27	26	25	24
Name	Reserved	Reserved	Reserved	Reserved	Reserved	Reserved	Reserved	Reserved
Default	0	0	0	0	0	0	0	0

**0019h:**

Bit #	23	22	21	20	19	18	17	16
Name	Reserved	Reserved	Reserved	Reserved	Reserved	Reserved	Reserved	Reserved
Default	0	0	0	0	0	0	0	0

**001Ah:**

Bit #	15	14	13	12	11	10	09	08
Name	MIID15	MIID14	MIID13	MIID12	MIID11	MIID10	MIID09	MIID08
Default	0	0	0	0	0	0	0	0

**001Bh:**

Bit #	07	06	05	04	03	02	01	00
Name	MIID07	MIID06	MIID05	MIID04	MIID03	MIID02	MIID01	MIID00
Default	0	0	0	0	0	0	0	0

**Bits 0 – 15: MII (MDIO) Data (MIID[00:15])** These two bytes contain the data to be written to or the data read from the MII management interface (MDIO).

Register Name: **SU.MACFCR**  
 Register Description: **MAC Flow Control Register**  
 Register Address: **001Ch (indirect)**

**001Ch:**

Bit #	31	30	29	28	27	26	25	24
Name	PT15	PT14	PT13	PT12	PT11	PT10	PT09	PT08
Default	0	0	0	0	0	0	0	0

**001Dh:**

Bit #	23	22	21	20	19	18	17	16
Name	PT07	PT06	PT05	PT04	PT03	PT02	PT01	PT00
Default	0	1	0	1	0	0	0	0

**001Eh:**

Bit #	15	14	13	12	11	10	09	08
Name	Reserved	Reserved	Reserved	Reserved	Reserved	Reserved	Reserved	Reserved
Default	0	0	0	0	0	0	0	0

**001Fh:**

Bit #	07	06	05	04	03	02	01	00
Name	Reserved	Reserved	Reserved	Reserved	Reserved	Reserved	FCE	FCB
Default	0	0	0	0	0	0	1	0

**Bits 16 - 31: Pause Time (PT[00:15])** These bits are used for the Pause Time Field in transmitted Pause Frames. This value is the number of time slots the remote node should wait prior to transmission.

**Bit 1: Flow Control Enable (FCE)** When set to 1, the MAC automatically detects pause frames and will disable the transmitter for the requested pause time.

**Bit 0: Flow Control Busy (FCB)** The host can set this bit to 1 in order to initiate transmission of a pause frame. During transmission of a pause frame, this bit remains set. The DS33Z41 will clear this bit when transmission of the pause frame has been completed. The user should read this bit and ensure that this bit is equal to zero prior to initiating a pause frame.



Register Name: **SU.MMCCTRL**  
 Register Description: **MAC MMC Control Register**  
 Register Address: **0100h (indirect)**

**0100h:**

Bit #	31	30	29	28	27	26	25	24
Name	Reserved	Reserved	Reserved	Reserved	Reserved	Reserved	Reserved	Reserved
Default	0	0	0	0	0	0	0	0

**0101h:**

Bit #	23	22	21	20	19	18	17	16
Name	Reserved	Reserved	Reserved	Reserved	Reserved	Reserved	Reserved	Reserved
Default	0	0	0	0	0	0	0	0

**0102h:**

Bit #	15	14	13	12	11	10	09	08
Name	Reserved	Reserved	MXFRM10	MXFRM9	MXFRM8	MXFRM7	MXFRM6	MXFRM5
Default	0	0	1	0	1	1	1	1

**0103h:**

Bit #	07	06	05	04	03	02	01	00
Name	MXFRM4	MXFRM3	MXFRM2	MXFRM1	MXFRM0	Reserved	Reserved	Reserved
Default	0	1	1	1	0	0	1	0

**Bits 3 - 13: Maximum Frame Size (MXFRM[0:10])** These bits indicate the maximum packet size value. All transmitted frames larger than this value are counted as long frames.

**Bit 1: Reserved - Note that this bit must be written to a “1” for proper operation.**

Register Name: **Reserved**  
 Register Description: **MAC Reserved Control Register**  
 Register Address: **010Ch (indirect)**

**010Ch:**

Bit #	31	30	29	28	27	26	25	24
Name	Reserved	Reserved	Reserved	Reserved	Reserved	Reserved	Reserved	Reserved
Default	0	0	0	0	0	0	0	0

**010Dh:**

Bit #	23	22	21	20	19	18	17	16
Name	Reserved	Reserved	Reserved	Reserved	Reserved	Reserved	Reserved	Reserved
Default	0	0	0	0	0	0	0	0

**010Eh:**

Bit #	15	14	13	12	11	10	09	08
Name	Reserved	Reserved	Reserved	Reserved	Reserved	Reserved	Reserved	Reserved
Default	0	0	0	0	0	0	0	0

**010Fh:**

Bit #	07	06	05	04	03	02	01	00
Name	Reserved	Reserved	Reserved	Reserved	Reserved	Reserved	Reserved	Reserved
Default	0	0	0	0	0	0	0	0

**Note – Addresses 10Ch through 10Fh must each be initialized with all 1’s (FFh) for proper software-mode operation.**

Register Name: **Reserved**  
Register Description: **MAC Reserved Control Register**  
Register Address: **0110h (indirect)**

**0110h:**

Bit #	31	30	29	28	27	26	25	24
Name	Reserved	Reserved	Reserved	Reserved	Reserved	Reserved	Reserved	Reserved
Default	0	0	0	0	0	0	0	0

**0111h:**

Bit #	23	22	21	20	19	18	17	16
Name	Reserved	Reserved	Reserved	Reserved	Reserved	Reserved	Reserved	Reserved
Default	0	0	0	0	0	0	0	0

**0112h:**

Bit #	15	14	13	12	11	10	09	08
Name	Reserved	Reserved	Reserved	Reserved	Reserved	Reserved	Reserved	Reserved
Default	0	0	0	0	0	0	0	0

**0113h:**

Bit #	07	06	05	04	03	02	01	00
Name	Reserved	Reserved	Reserved	Reserved	Reserved	Reserved	Reserved	Reserved
Default	0	0	0	0	0	0	0	0

**Note – Addresses 110h through 113h must each be initialized with all 1's (FFh) for proper software-mode operation.**

Register Name: **SU.RxFrmCtr**  
 Register Description: **MAC All Frames Received Counter**  
 Register Address: **0200h (indirect)**

**0200h:**

Bit #	31	30	29	28	27	26	25	24
Name	RXFRMC31	RXFRMC30	RXFRMC29	RXFRMC28	RXFRMC27	RXFRMC26	RXFRMC25	RXFRMC24
Default	0	0	0	0	0	0	0	0

**0201h:**

Bit #	23	22	21	20	19	18	17	16
Name	RXFRMC23	RXFRMC22	RXFRMC21	RXFRMC20	RXFRMC19	RXFRMC18	RXFRMC17	RXFRMC16
Default	0	0	0	0	0	0	0	0

**0202h:**

Bit #	15	14	13	12	11	10	09	08
Name	RXFRMC15	RXFRMC14	RXFRMC13	RXFRMC12	RXFRMC11	RXFRMC10	RXFRMC9	RXFRMC8
Default	0	0	0	0	0	0	0	0

**0203h:**

Bit #	07	06	05	04	03	02	01	00
Name	RXFRMC7	RXFRMC6	RXFRMC5	RXFRMC4	RXFRMC3	RXFRMC2	RXFRMC1	RXFRMC0
Default	0	0	0	0	0	0	0	0

**Bits 0 - 31: All Frames Received Counter (RXFRMC[0:31])** 32 bit value indicating the number of frames received. Each time a frame is received, this counter is incremented by 1. This counter resets only upon device reset, does not saturate, and rolls-over to zero upon reaching the maximum value. The user should ensure that the measurement period is less than the minimum length of time required for the counter to increment  $2^{32}-1$  times at the maximum frame rate. The user should store the value from the beginning of the measurement period for later calculations, and take into account the possibility of a roll-over to occurring.

Register Name: **SU.RxFrmOkCtr**  
 Register Description: **MAC Frames Received OK Counter**  
 Register Address: **0204h (indirect)**

**0204h:**

Bit #	31	30	29	28	27	26	25	24
Name	RXFRMOK3	RXFRMOK3	RXFRMOK2	RXFRMOK2	RXFRMOK2	RXFRMOK2	RXFRMOK2	RXFRMOK2
	1	0	9	8	7	6	5	4
Default	0	0	0	0	0	0	0	0

**0205h:**

Bit #	23	22	21	20	19	18	17	16
Name	RXFRMOK2	RXFRMOK2	RXFRMOK2	RXFRMOK2	RXFRMOK1	RXFRMOK1	RXFRMOK1	RXFRMOK1
	3	2	1	0	9	8	7	6
Default	0	0	0	0	0	0	0	0

**0206h:**

Bit #	15	14	13	12	11	10	09	08
Name	RXFRMOK1	RXFRMOK1	RXFRMOK1	RXFRMOK1	RXFRMOK1	RXFRMOK1	RXFRMOK9	RXFRMOK8
	5	4	3	2	1	0		
Default	0	0	0	0	0	0	0	0

**0207h:**

Bit #	07	06	05	04	03	02	01	00
Name	RXFRMOK7	RXFRMOK6	RXFRMOK5	RXFRMOK4	RXFRMOK3	RXFRMOK2	RXFRMOK1	RXFRMOK0
Default	0	0	0	0	0	0	0	0

**Bits 0 - 31: Frames Received OK Counter (RXFRMOK[0:31])** 32 bit value indicating the number of frames received and determined to be valid. Each time a valid frame is received, this counter is incremented by 1. This counter resets only upon device reset, does not saturate, and rolls-over to zero upon reaching the maximum value. The user should ensure that the measurement period is less than the minimum length of time required for the counter to increment  $2^{32}-1$  times at the maximum frame rate. The user should store the value from the beginning of the measurement period for later calculations, and take into account the possibility of a roll-over to occurring.

Register Name: **SU.TxFrmCtr**  
 Register Description: **MAC All Frames Transmitted Counter**  
 Register Address: **0300h (indirect)**

**0300h:**

Bit #	31	30	29	28	27	26	25	24
Name	TXFRMC31	TXFRMC30	TXFRMC29	TXFRMC28	TXFRMC27	TXFRMC26	TXFRMC25	TXFRMC24
Default	0	0	0	0	0	0	0	0

**0301h:**

Bit #	23	22	21	20	19	18	17	16
Name	TXFRMC23	TXFRMC22	TXFRMC21	TXFRMC20	TXFRMC19	TXFRMC18	TXFRMC17	TXFRMC16
Default	0	0	0	0	0	0	0	0

**0302h:**

Bit #	15	14	13	12	11	10	09	08
Name	TXFRMC15	TXFRMC14	TXFRMC13	TXFRMC12	TXFRMC11	TXFRMC10	TXFRMC9	TXFRMC8
Default	0	0	0	0	0	0	0	0

**0303h:**

Bit #	07	06	05	04	03	02	01	00
Name	TXFRMC7	TXFRMC6	TXFRMC5	TXFRMC4	TXFRMC3	TXFRMC2	TXFRMC1	TXFRMC0
Default	0	0	0	0	0	0	0	0

**Bits 0 - 31: All Frames Transmitted Counter (TXFRMC[0:31])** 32 bit value indicating the number of frames transmitted. Each time a frame is transmitted, this counter is incremented by 1. This counter resets only upon device reset, does not saturate, and rolls-over to zero upon reaching the maximum value. The user should ensure that the measurement period is less than the minimum length of time required for the counter to increment  $2^{32}-1$  times at the maximum frame rate. The user should store the value from the beginning of the measurement period for later calculations, and take into account the possibility of a roll-over to occurring.

Register Name: **SU.TxBytesCtr**  
 Register Description: **MAC All Bytes Transmitted Counter**  
 Register Address: **0308h (indirect)**

**0308h:**

Bit #	31	30	29	28	27	26	25	24
Name	TXBYTEC31	TXBYTEC30	TXBYTEC29	TXBYTEC28	TXBYTEC27	TXBYTEC26	TXBYTEC25	TXBYTEC24
Default	0	0	0	0	0	0	0	0

**0309h:**

Bit #	23	22	21	20	19	18	17	16
Name	TXBYTEC23	TXBYTEC22	TXBYTEC21	TXBYTEC20	TXBYTEC19	TXBYTEC18	TXBYTEC17	TXBYTEC16
Default	0	0	0	0	0	0	0	0

**030Ah:**

Bit #	15	14	13	12	11	10	09	08
Name	TXBYTEC15	TXBYTEC14	TXBYTEC13	TXBYTEC12	TXBYTEC11	TXBYTEC10	TXBYTEC9	TXBYTEC8
Default	0	0	0	0	0	0	0	0

**030Bh:**

Bit #	07	06	05	04	03	02	01	00
Name	TXBYTEC7	TXBYTEC6	TXBYTEC5	TXBYTEC4	TXBYTEC3	TXBYTEC2	TXBYTEC1	TXBYTEC0
Default	0	0	0	0	0	0	0	0

**Bits 0 - 31: All Bytes Transmitted Counter (TXBYTEC[0:31])** 32 bit value indicating the number of bytes transmitted. Each time a byte is transmitted, this counter is incremented by 1. This counter resets only upon device reset, does not saturate, and rolls-over to zero upon reaching the maximum value. The user should ensure that the measurement period is less than the minimum length of time required for the counter to increment  $2^{32}-1$  times at the maximum data rate. The user should store the value from the beginning of the measurement period for later calculations, and take into account the possibility of a roll-over to occurring.

Register Name: **SU.TxBytesOkCtr**  
 Register Description: **MAC Bytes Transmitted OK Counter**  
 Register Address: **030Ch (indirect)**

**030Ch:**

Bit #	31	30	29	28	27	26	25	24
Name	TXBYTEOK31	TXBYTEOK30	TXBYTEOK29	TXBYTEOK28	TXBYTEOK27	TXBYTEOK26	TXBYTEOK25	TXBYTEOK24
Default	0	0	0	0	0	0	0	0

**030Dh:**

Bit #	23	22	21	20	19	18	17	16
Name	TXBYTEOK23	TXBYTEOK22	TXBYTEOK21	TXBYTEOK20	TXBYTEOK19	TXBYTEOK18	TXBYTEOK17	TXBYTEOK16
Default	0	0	0	0	0	0	0	0

**030Eh:**

Bit #	15	14	13	12	11	10	09	08
Name	TXBYTEOK15	TXBYTEOK14	TXBYTEOK13	TXBYTEOK12	TXBYTEOK11	TXBYTEOK10	TXBYTEOK9	TXBYTEOK8
Default	0	0	0	0	0	0	0	0

**030Fh:**

Bit #	07	06	05	04	03	02	01	00
Name	TXBYTEOK7	TXBYTEOK6	TXBYTEOK5	TXBYTEOK4	TXBYTEOK3	TXBYTEOK2	TXBYTEOK1	TXBYTEOK0
Default	0	0	0	0	0	0	0	0

**Bits 0 - 31: Bytes Transmitted OK Counter (TXBYTEOK[0:31])** 32 bit value indicating the number of bytes transmitted and determined to be valid. Each time a valid byte is transmitted, this counter is incremented by 1. This counter resets only upon device reset, does not saturate, and rolls-over to zero upon reaching the maximum value. The user should ensure that the measurement period is less than the minimum length of time required for the counter to increment  $2^{32}-1$  times at the maximum frame rate. The user should store the value from the beginning of the measurement period for later calculations, and take into account the possibility of a roll-over to occurring.



Register Name: **SU.TXFRMUNDR**  
 Register Description: **MAC Transmit Frame Under Run Counter**  
 Register Address: **0334h (indirect)**

**0334h:**

Bit #	31	30	29	28	27	26	25	24
Name	TXFRMU31	TXFRMU30	TXFRMU29	TXFRMU28	TXFRMU27	TXFRMU26	TXFRMU25	TXFRMU24
Default	0	0	0	0	0	0	0	0

**0335h:**

Bit #	23	22	21	20	19	18	17	16
Name	TXFRMU23	TXFRMU22	TXFRMU21	TXFRMU20	TXFRMU19	TXFRMU18	TXFRMU17	TXFRMU16
Default	0	0	0	0	0	0	0	0

**0336h:**

Bit #	15	14	13	12	11	10	09	08
Name	TXFRMU15	TXFRMU14	TXFRMU13	TXFRMU12	TXFRMU11	TXFRMU10	TXFRMU9	TXFRMU8
Default	0	0	0	0	0	0	0	0

**0337h:**

Bit #	07	06	05	04	03	02	01	00
Name	TXFRMU7	TXFRMU6	TXFRMU5	TXFRMU4	TXFRMU3	TXFRMU2	TXFRMU1	TXFRMU0
Default	0	0	0	0	0	0	0	0

**Bits 0 - 31: Frames Aborted Due to FIFO Under Run Counter (TXFRMU[0:31])** 32 bit value indicating the number of frames aborted due to FIFO under run. Each time a frame is aborted due to FIFO under run, this counter is incremented by 1. This counter resets only upon device reset, does not saturate, and rolls-over to zero upon reaching the maximum value. The user should ensure that the measurement period is less than the minimum length of time required for the counter to increment  $2^{32}-1$  times at the maximum frame rate. The user should store the value from the beginning of the measurement period for later calculations, and take into account the possibility of a roll-over to occurring.

Register Name: **SU.TxBdFrmCtr**  
 Register Description: **MAC All Frames Aborted Counter**  
 Register Address: **0338h (indirect)**

**0338h:**

Bit #	31	30	29	28	27	26	25	24
Name	TXFRMBD31	TXFRMBD30	TXFRMBD29	TXFRMBD28	TXFRMBD27	TXFRMBD26	TXFRMBD25	TXFRMBD24
Default	0	0	0	0	0	0	0	0

**0339h:**

Bit #	23	22	21	20	19	18	17	16
Name	TXFRMBD23	TXFRMBD22	TXFRMBD21	TXFRMBD20	TXFRMBD19	TXFRMBD18	TXFRMBD17	TXFRMBD16
Default	0	0	0	0	0	0	0	0

**033Ah:**

Bit #	15	14	13	12	11	10	09	08
Name	TXFRMBD15	TXFRMBD14	TXFRMBD13	TXFRMBD12	TXFRMBD11	TXFRMBD10	TXFRMBD9	TXFRMBD8
Default	0	0	0	0	0	0	0	0

**033Bh:**

Bit #	07	06	05	04	03	02	01	00
Name	TXFRMBD7	TXFRMBD6	TXFRMBD5	TXFRMBD4	TXFRMBD3	TXFRMBD2	TXFRMBD1	TXFRMBD0
Default	0	0	0	0	0	0	0	0

**Bits 0 to 31: All Frames Aborted Counter (TXFRMBD[0:31])** 32 bit value indicating the number of frames aborted due to any reason. Each time a frame is aborted, this counter is incremented by 1. This counter resets only upon device reset, does not saturate, and rolls-over to zero upon reaching the maximum value. The user should ensure that the measurement period is less than the minimum length of time required for the counter to increment  $2^{32}-1$  times at the maximum frame rate. The user should store the value from the beginning of the measurement period for later calculations, and take into account the possibility of a roll-over to occurring.

## 10 FUNCTIONAL TIMING

### 10.1 MII and RMII Interfaces

Each MII Interface Transmit Port has its own TX\_CLK and data interface. The data TXD [3:0] operates synchronously with TX\_CLK. The LSB is presented first. TX\_CLK should be 2.5 MHz for 10 Mbit/s operation and 25 MHz for 100 Mbit/s operation. TX\_EN is valid at the same time as the first byte of the preamble. In DTE Mode TX\_CLK is input from the external PHY. In DCE Mode, the DS33Z41 provides TX\_CLK, derived from an external reference (SYSCLKI).

In Half-Duplex (DTE) Mode, the DS33Z41 supports CRS and COL signals. CRS is active when the PHY detects transmit or receive activity. If there is a collision as indicated by the COL input, the DS33Z41 will replace the data nibbles with jam nibbles. After a "random" time interval, the packet is retransmitted. The MAC will try to send the packet a maximum of 16 times. The jam sequence consists of 55555555h. Note that the COL signal and CRS can be asynchronous to the TX\_CLK and are only valid in half duplex mode.

Figure 10-1 MII Transmit Functional Timing

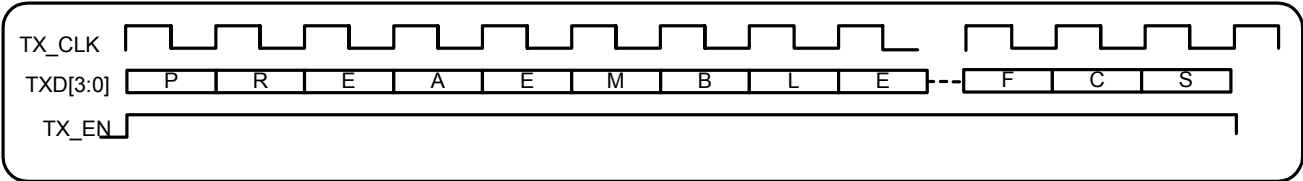
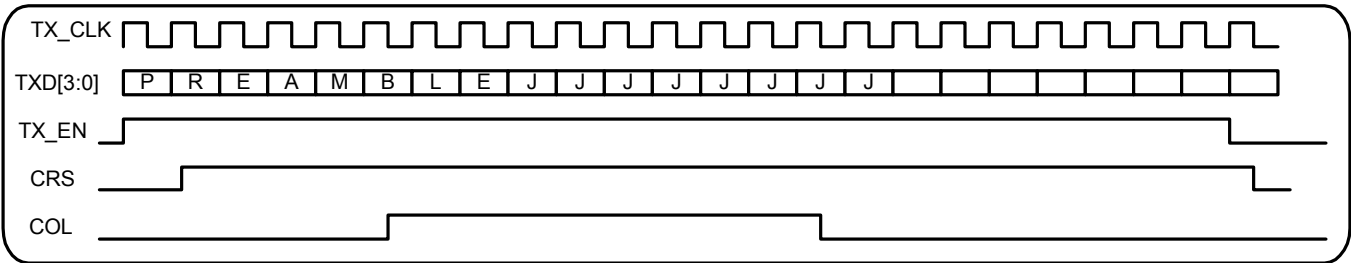
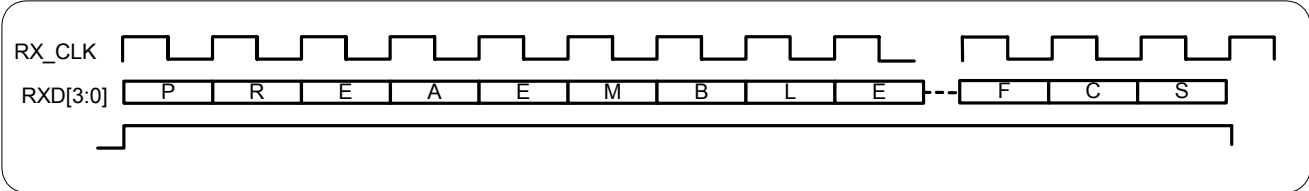


Figure 10-2 MII Transmit Half Duplex with a Collision Functional Timing



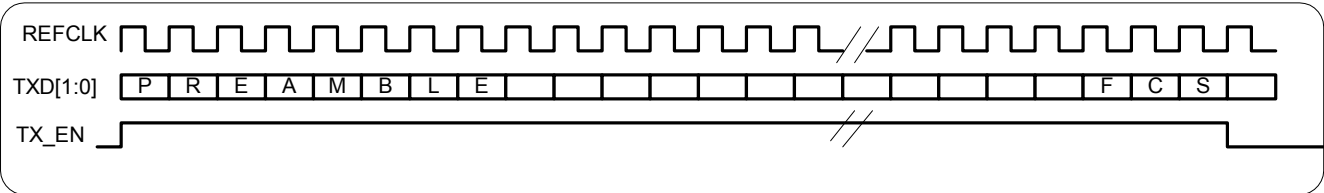
Receive Data (RXD[3:0]) is clocked from the external PHY synchronously with RX\_CLK. The RX\_CLK signal is 2.5 MHz for 10 Mbit/s operation and 25 MHz for 100 Mbit/s operation. RX\_DV is asserted by the PHY from the first Nibble of the preamble in 100 Mbit/s operation or first nibble of SFD for 10 Mbit/s operation. The data on RXD[3:0] is not accepted by the MAC if RX\_DV is low or RX\_ERR is high (in DTE mode). RX\_ERR should be tied low when in DCE Mode.

Figure 10-3 MII Receive Functional Timing



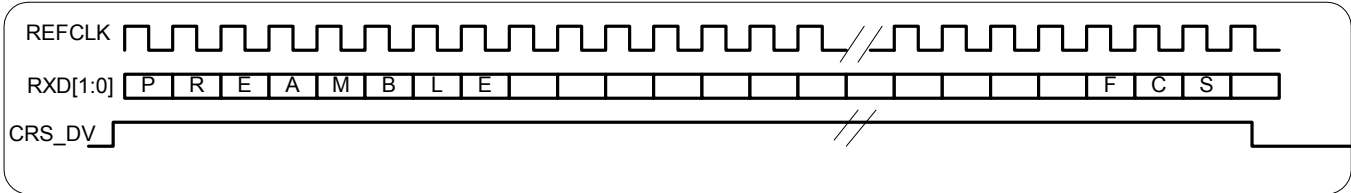
In RMII Mode, TX\_EN is high with the first bit of the preamble. The TXD[1:0] is synchronous with the 50 MHz REF\_CLK. For 10 Mbit/s operation, the data bit outputs are updated every 10 clocks.

Figure 10-4 RMII Transmit Interface Functional Timing



RMII Receive data on RXD[1:0] is expected to be synchronous with the rising edge of the 50 MHz REF\_CLK. The data is only valid if CRS\_DV is high. The external PHY asynchronously drives CRS\_DV low during carrier loss.

Figure 10-5 RMII Receive Interface Functional Timing



## 11 OPERATING PARAMETERS

### ABSOLUTE MAXIMUM RATINGS\*

Voltage on Any Lead with respect to VSS (except VDD)	-0.5V to +5.5V
Supply voltage (VDD3.3) with Respect to VSS	-0.3V to +3.6V
Supply voltage (VDD1.8) with Respect to VSS	-0.3V to +2.0V
Ambient Operating Temperature Range	-40°C to +85°C
Junction Operating Temperature Range	-40°C to +125°C
Storage Temperature	-55°C to +125°C
Soldering Temperature	See IPC/J-STD-020A specification

*These are stress ratings only and functional operation of the device at these or any other conditions beyond those indicated in the operation sections of this specification is not implied. Exposure to absolute maximum rating conditions for extended periods of time can affect reliability. Ambient Operating Temperature Range is assuming the device is mounted on a JEDEC standard test board in a convection cooled JEDEC test enclosure.*

**Note:** The “typ” values listed below are not production tested.

**Table 11-1 Recommended DC Operating Conditions**

(VDD3.3 = 3.3V ±5%, VDD1.8 = 1.8 ± 5% T<sub>j</sub> = -40°C to +85°C.)

Parameter	Symbol	Conditions	Min	Typ	Max	Units
Logic 1	V <sub>IH</sub>		2.0		3.465	V
Logic 0	V <sub>IL</sub>		-0.3		+0.8	V
Supply (VDD3.3) +/- 5%	VDD3.3		3.135	3.300	3.465	V
Supply(VDD1.8) +/- 5%	VDD1.8		1.71	1.8	1.89	V

**Table 11-2 DC Electrical Characteristics**

(VDD3.3 = 3.3V ±5%, VDD1.8 = 1.8 ± 5% T<sub>j</sub> = -40°C to +85°C.)

Parameter	Symbol	Conditions	Min	Typ	Max	Units
I/O Supply Current (VDD3.3 = 3.465V)	I <sub>ddio</sub>	Notes 1, 2		25		mA
Core Supply Current (VDD1.8 = 1.89)	I <sub>ddcore</sub>	Notes 1, 2		30		mA
Power-Down Current (All DISABLE and power down Bits Set) for DS33Z41	I <sub>DDD</sub>	Notes 2			90	mA
Lead Capacitance	C <sub>IO</sub>			7		pF
Input Leakage	I <sub>IL</sub>		-10		+10	μA
Input Leakage	I <sub>ILP</sub>		-50		-10	μA
Output Leakage (when Hi-Z)	I <sub>LO</sub>		-10		+10	μA
Output Voltage (I <sub>OH</sub> = -4.0mA)	V <sub>OH</sub>	All Outputs	2.4			V
Output Voltage (I <sub>OL</sub> = +4.0mA)	V <sub>OL</sub>	All Outputs			0.4	V
Output Voltage (I <sub>OH</sub> = -8.0mA)	V <sub>OH</sub>	REF_CLKO	2.4			V
Output Voltage (I <sub>OL</sub> = +12.0mA)	V <sub>OL</sub>	TSER			0.4	V
Input Voltage	V <sub>IL</sub>				0.8	V
Input Voltage	V <sub>IH</sub>		2.0			V
<b>Notes:</b>	<ol style="list-style-type: none"> <li>Typical power is 145 mW</li> <li>All outputs loaded with rated capacitance; all inputs between VDD and VSS; inputs with pull-ups connected to VDD.</li> </ol>					

## 11.1 THERMAL CHARACTERISTICS

PARAMETER	MIN	TYP	MAX	NOTES
Ambient Temperature	-40°C	-	+85°C	1
Junction Temperature	-	-	+125°C	
Theta-JA ( $\theta_{JA}$ ) in Still Air for 169 pin 14mm CSBGA	-	+52.7°C/W	-	2

### NOTES:

- 1) The package is mounted on a four-layer JEDEC standard test board.
- 2) Theta-JA ( $\theta_{JA}$ ) is the junction to ambient thermal resistance, when the package is mounted on a four-layer JEDEC standard test board.

### THETA-JA vs. AIRFLOW

#### AIR FLOW

0 m/s  
1 m/s  
2.5 m/s

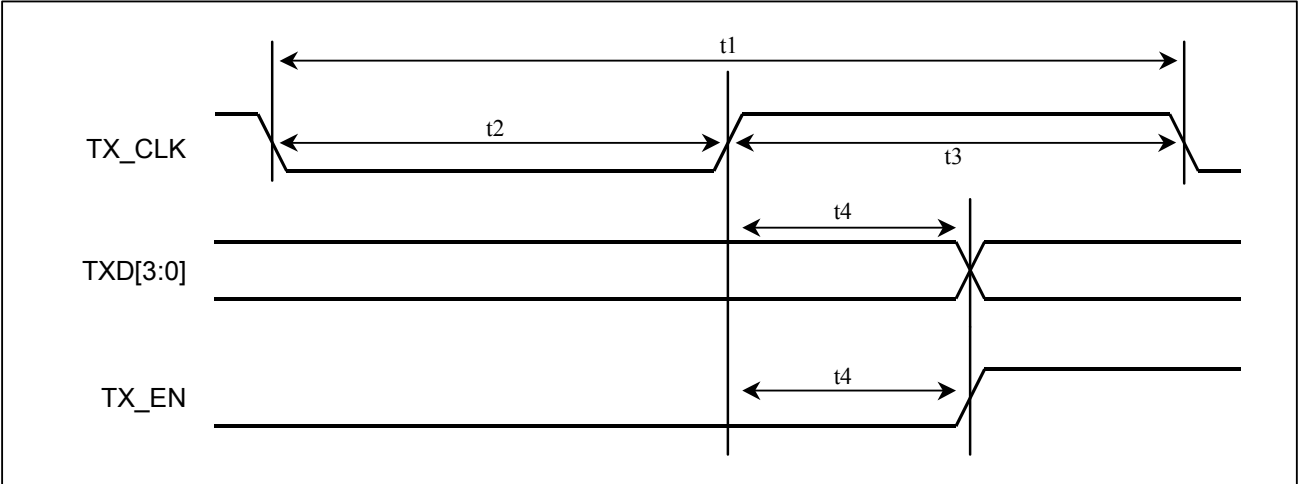
#### THETA-JA 169pin 14mm CSBGA

52.7 °C/W  
45.8 °C/W  
43.8 °C/W

11.2 MII Interface

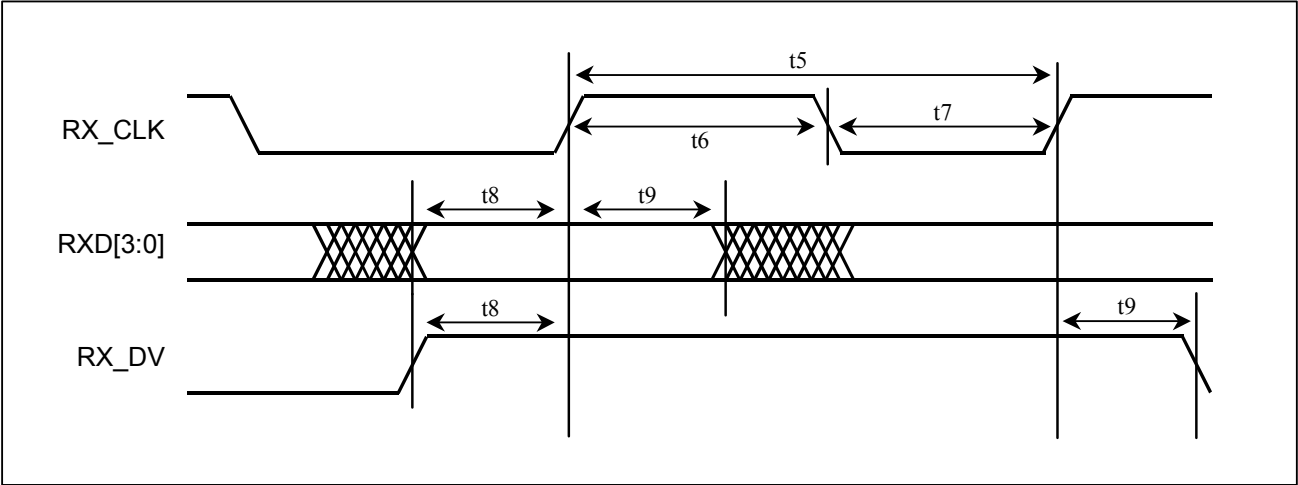
Parameter	Symbol	10 Mbps			100 Mbps			Units
		Min	Typ	Max	Min	Typ	Max	
TX_CLK period	t1		400			40		ns
TX_CLK low time	t2	140		260	14		26	ns
TX_CLK high time	t3	140		260	14		26	ns
TX_CLK to TXD, TX_EN delay	t4	0		20	0		20	ns

Figure 11-1 Transmit MII Interface



Parameter	Symbol	10 Mbps			100 Mbps			Units
		Min	Typ	Max	Min	Typ	Max	
RX_CLK period	t5		400			40		ns
RX_CLK low time	t6	140		260	14		26	ns
RX_CLK high time	t7	140		260	14		26	ns
RXD, RX_DV to RX_CLK setup time	t8	5			5			ns
RX_CLK to RXD, RX_DV hold time	t9	5			5			ns

Figure 11-2 Receive MII Interface Timing

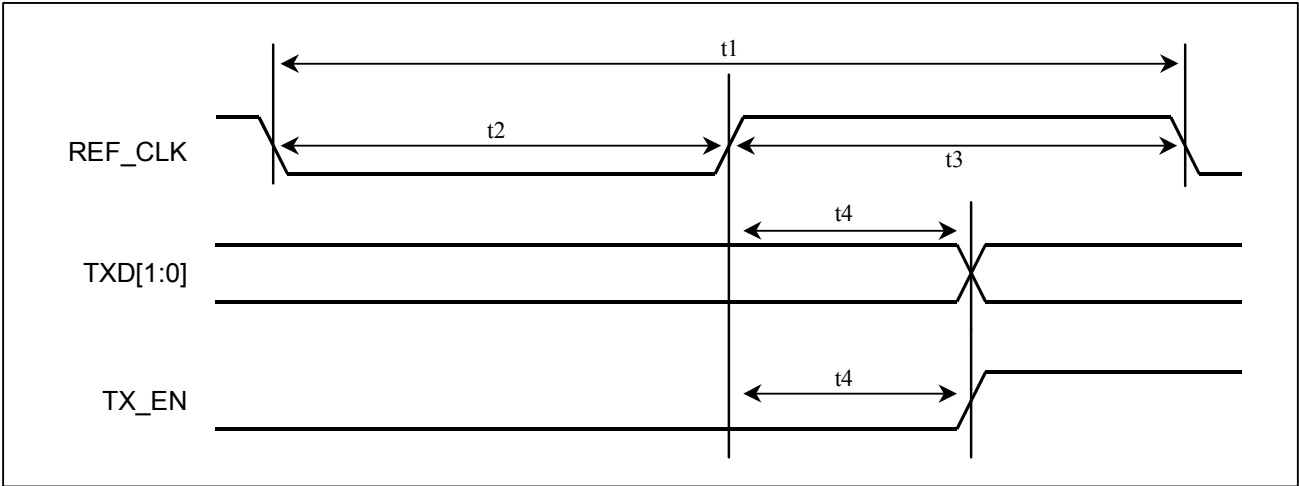




11.3 RMI Interface

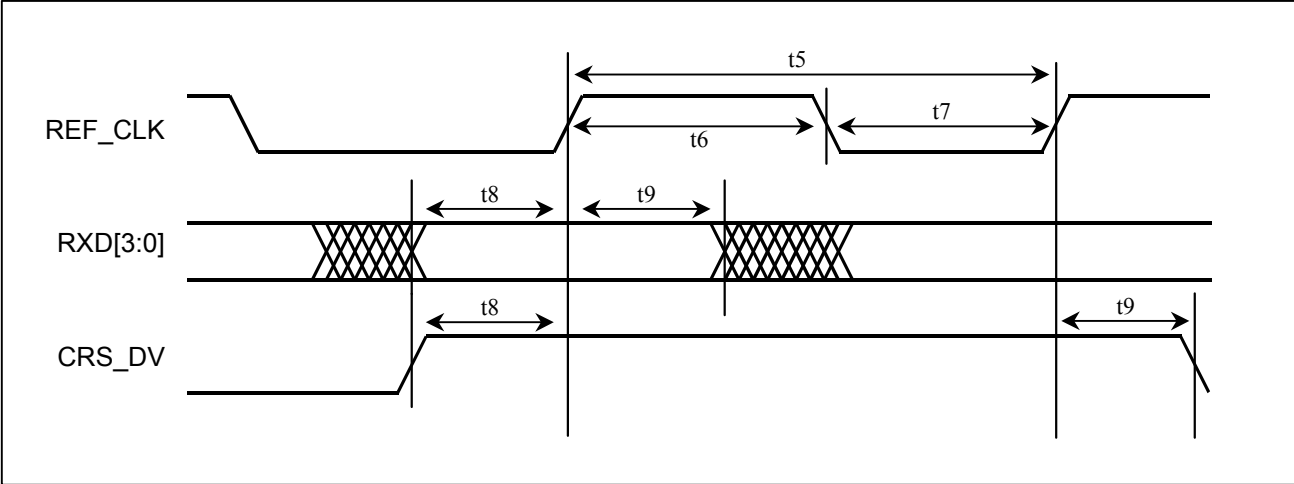
Parameter	Symbol	10 Mbps			100 Mbps			Units
		Min	Typ	Max	Min	Typ	Max	
REF_CLK Freq			50 MHz +/- 50 ppm			50 MHz +/- 50 ppm		
REF_CLK period	t1		20			20		ns
REF_CLK low time	t2	7		13	7		13	ns
REF_CLK high time	t3	7		13	7		13	ns
REF_CLK to TXD, TX_EN delay	t4	5		10	5		10	ns

Figure 11-3 Transmit RMI Interface



Parameter	Symbol	10 Mbps			100 Mbps			Units
		Min	Typ	Max	Min	Typ	Max	
REF_CLK Freq			50 MHz +/- 50 ppm			50 MHz +/- 50 ppm		MHz
REF_CLK period	t1		20			20		ns
REF_CLK low time	t2	7		13	7		13	ns
REF_CLK high time	t3	7		13	7		13	ns
RXD, CRS_DV to REF_CLK setup time	t8	5			5			ns
REF_CLK to RXD, CRS_DV hold time	t9	5			5			ns

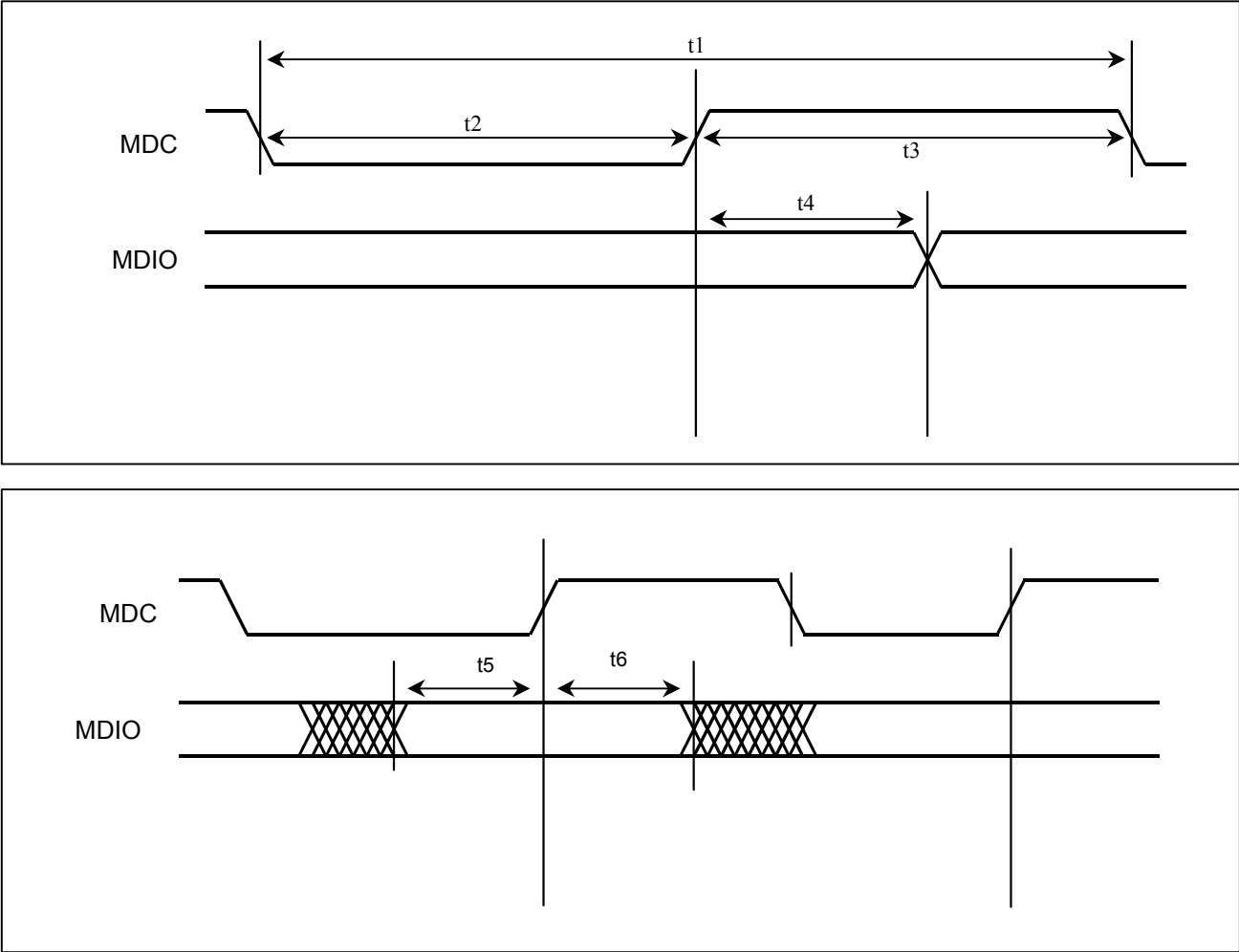
Figure 11-4 Receive RMI Interface Timing



### 11.4 MDIO Interface

Parameter	Symbol	Min	Typ	Max	
MDC Freq			1.67		MHz
MDC Period	t1	540	600	660	ns
MDC low time	t2	270	300	330	ns
MDC high time	t3	270	300	330	ns
MDC to MDIO Output Delay	t4	20		10	ns
MDIO Setup Time	t5	10			ns
MDIO Hold Time	t6	20			ns

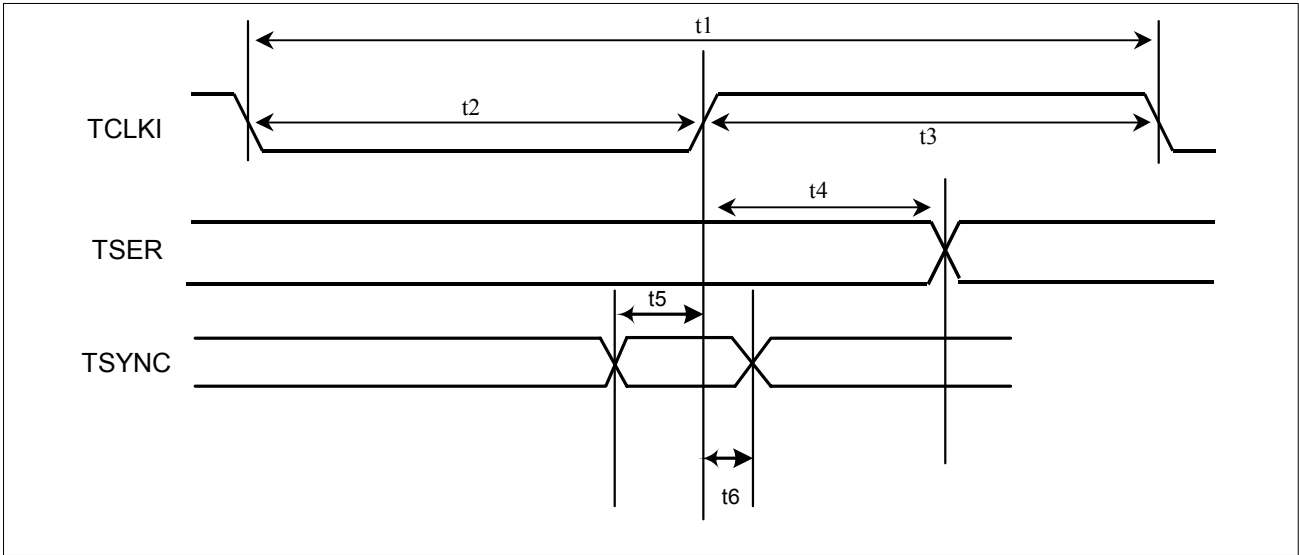
Figure 11-5 MDIO Timing



### 11.5 Transmit WAN Interface

	Symbol	Min	Typ	Max	
TCLKI Freq				52	MHz
TCLKI Period	t1	19.2			ns
TCLKI Low time	t2	8			ns
TCLKI High time	t3	8			ns
TCLKI to TSER Output Delay	t4			10	ns
TSYNC Setup time	t5	7			ns
TSYNC Hold time	t6	7			ns

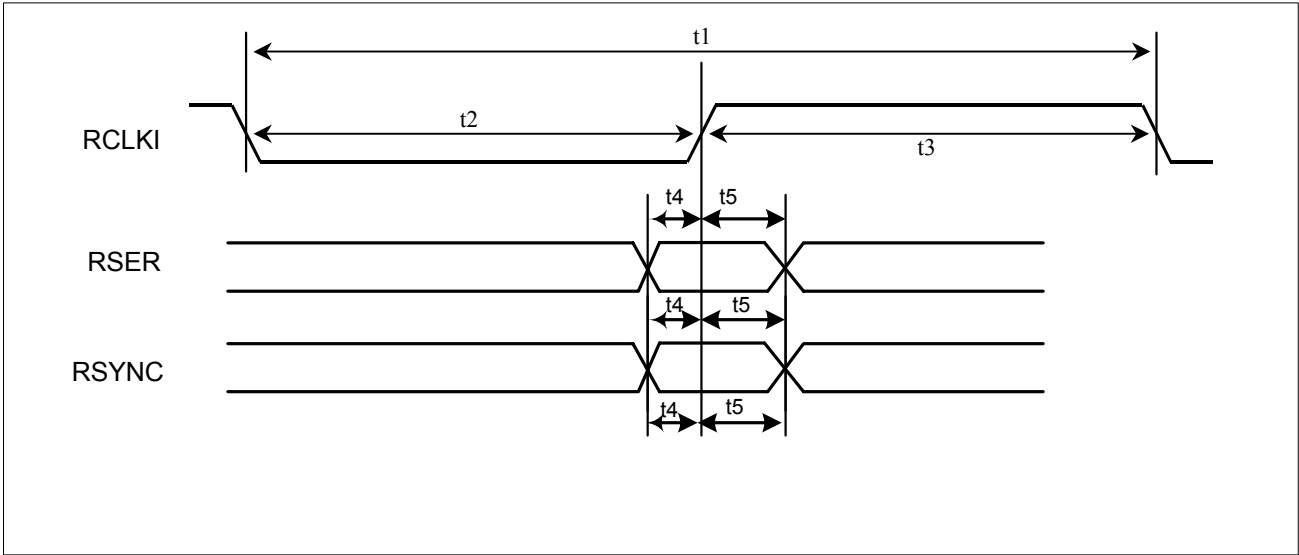
Figure 11-6 Transmit WAN Timing



11.6 Receive WAN Interface

	Symbol	Min	Typ	Max	
RCLKI Freq				52	MHz
RCLKI Period	t1	19.2			ns
RCLKI Low time	t2	8			ns
RCLKI High time	t3	8			ns
RSER Setup time	t4	7			ns
RSYNC Setup time	t4	7			ns
RSER Hold time	t5	2			ns
RSYNC Hold Time	t5	2			ns

Figure 11-7 Receive WAN timing



## 11.7 SDRAM Timing

**Table 11-3 SDRAM Interface Timing**

Parameter	Symbol	100 MHz			Units
		Min	Typ	Max	
SDCLKO period	t1	9.7	10	10.3	ns
SDCLKO duty cycle	t2	4		6	ns
SDCLKO to SDATA valid Write to SDRAM	t3			7	ns
SDCLKO to SDATA drive on Write to SDRAM	t4	4			ns
SDCLKO to SDATA invalid Write to SDRAM	t5	3			ns
SDCLKO to SDATA drive off Write to SDRAM	t6			4	ns
SDATA to SDCLKO setup time Read from SDRAM	t7	2			ns
SDCLKO to SDATA hold time Read from SDRAM	t8			2	ns
SDCLKO to $\overline{\text{SRAS}}$ , $\overline{\text{SCAS}}$ , $\overline{\text{SWE}}$ , $\overline{\text{SDCS}}$ Active Read or Write to SDRAM	t9			5	ns
SDCLKO TO $\overline{\text{SRAS}}$ , $\overline{\text{SCAS}}$ , $\overline{\text{SWE}}$ , $\overline{\text{SDCS}}$ Inactive Read or Write to SDRAM	t10	2			ns
SDCLKO to SDA, SBA valid Read or Write to SDRAM	t11			7	ns
SDCLKO TO SDA, SBA invalid Read or write to SDRAM	t12	2			ns
SDCLKO to SDMASK valid Read or write to SDRAM	t13			5	ns
SDCLKO TO SDMASK invalid Read or write to SDRAM	t14	2			ns

Figure 11-8 SDRAM Interface Timing

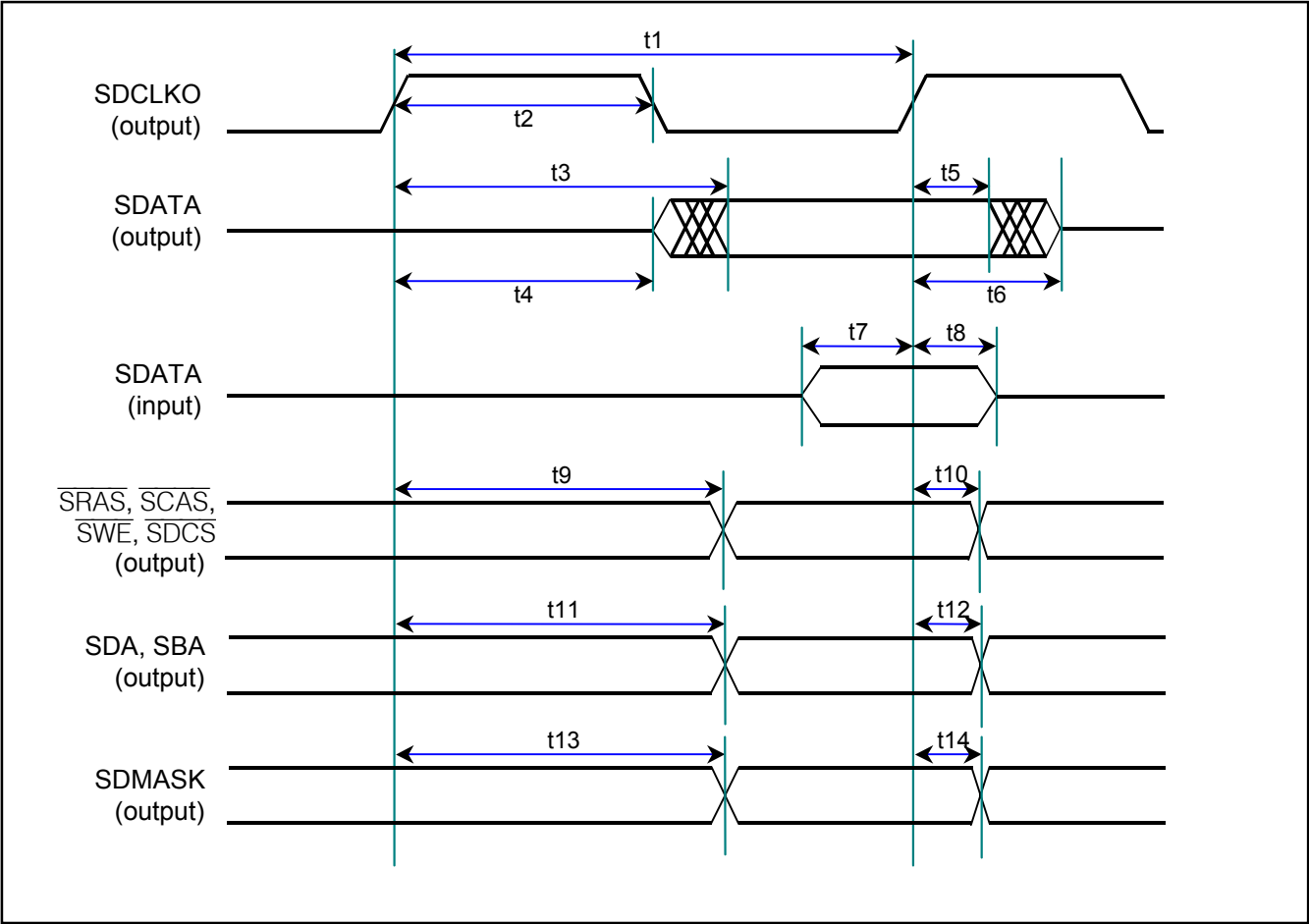
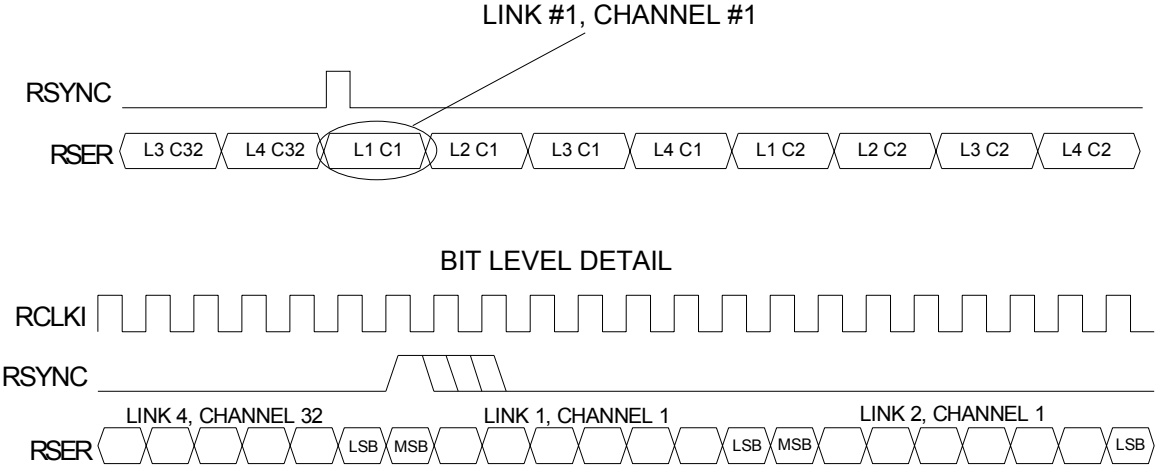


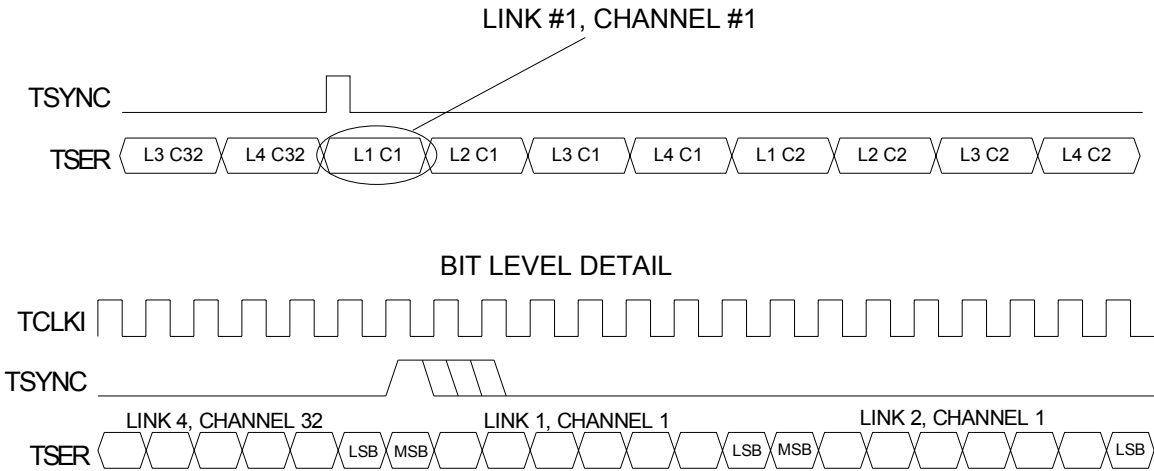
Figure 11-9. Receive IBO Channel Interleave Mode Timing



**Note:** 8.192MHz bus configuration.  
**Note:** Data on unused channels is ignored.



Figure 11-10. Transmit IBO Channel Interleave Mode Timing



**Note:** 8.192MHz bus configuration.  
**Note:** Unused channels filled with FFh.

## 11.8 Microprocessor Bus AC Characteristics

### AC CHARACTERISTICS—Microprocessor Bus Timing

(VDD3.3 = 3.3V ±5%, VDD1.8 = 1.8 ± 5% T<sub>j</sub> = -40°C to +85°C.)

PARAMETER	SYMBOL	MIN	TYP	MAX	UNITS
Setup Time for A[12:0] Valid to $\overline{CS}$ Active	t1	0			ns
Setup Time for $\overline{CS}$ Active to either $\overline{RD}$ , or $\overline{WR}$ Active	t2	0			ns
Delay Time from Either $\overline{RD}$ or $\overline{DS}$ Active to DATA[7:0] Valid	t3			75	ns
Hold Time from Either $\overline{RD}$ or $\overline{WR}$ Inactive to $\overline{CS}$ Inactive	t4	0			ns
Hold Time from $\overline{CS}$ or $\overline{RD}$ or $\overline{DS}$ Inactive to DATA[7:0] Tri-State	t5	5		20	ns
Wait Time from $\overline{RW}$ Active to Latch Data	t6	80			ns
Data Setup Time to $\overline{DS}$ Inactive	t7	10			ns
Data Hold Time from $\overline{RW}$ Inactive	t8	2			ns
Address Hold from $\overline{RW}$ inactive	t9	0			ns
Write Access to Subsequent Write/Read Access Delay Time	t10	80			ns

Figure 11-11. Intel Bus Read Timing (MODEC = 00)

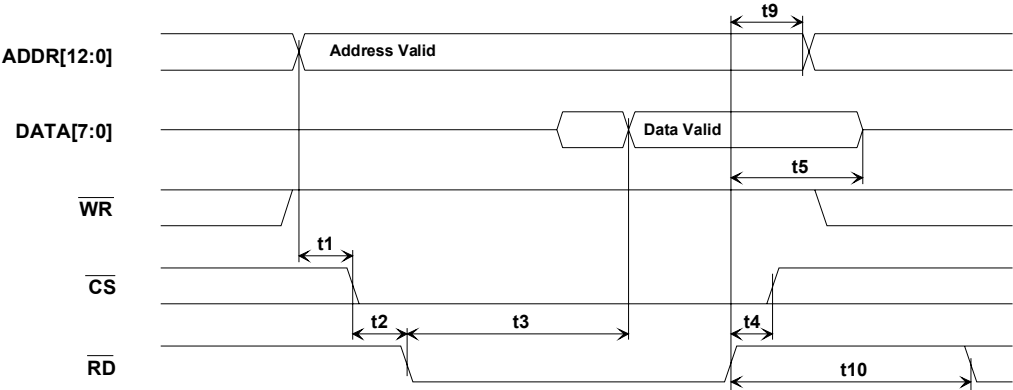


Figure 11-12. Intel Bus Write Timing (MODEC = 00)

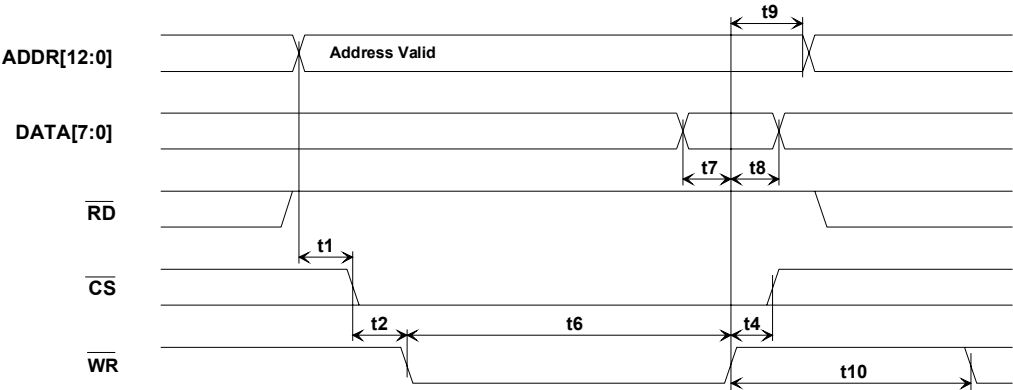


Figure 11-13. Motorola Bus Read Timing (MODEC = 01)

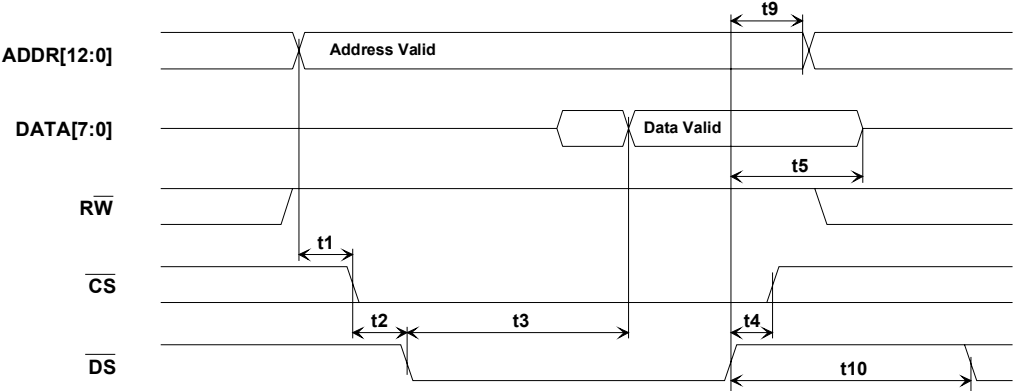
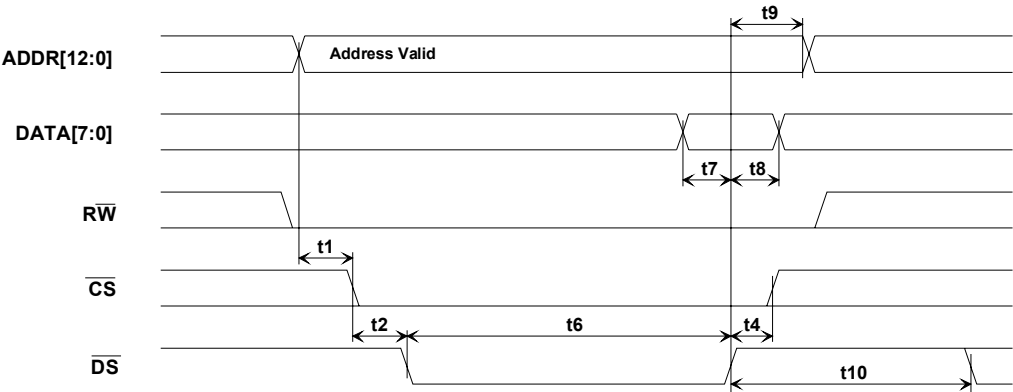


Figure 11-14. Motorola Bus Write Timing (MODEC = 01)



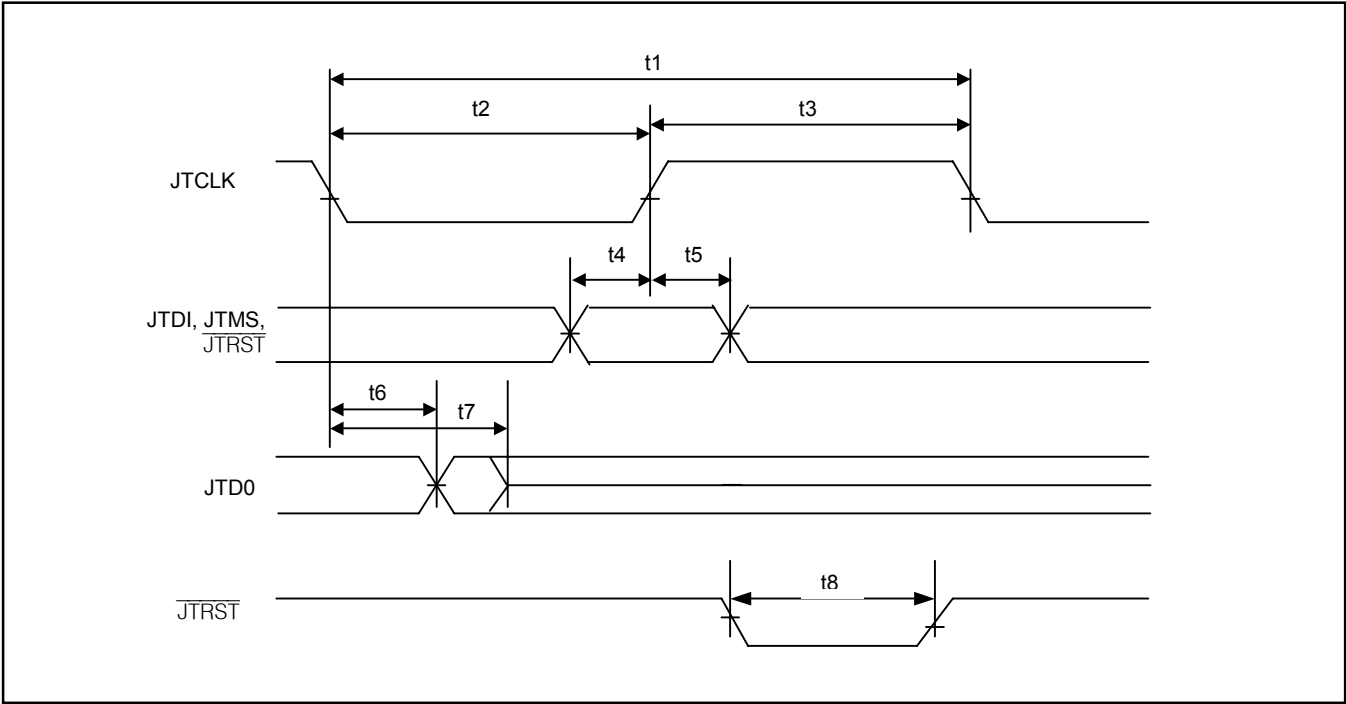
**11.9 JTAG Interface Timing**

(VDD3.3 = 3.3V ±5%, VDD1.8 = 1.8 ± 5% T<sub>j</sub> = -40°C to +85°C.)

PARAMETER	SYMBOL	CONDITIONS	MIN	TYP	MAX	UNITS
JTCLK Clock Period	t1			1000		ns
JTCLK Clock High:Low Time	t2:t3	(Note 1)	50	500		ns
JTCLK to JTDI, JTMS Setup Time	t4		2			ns
JTCLK to JTDI, JTMS Hold Time	t5		2			ns
JTCLK to JTDO Delay	t6		2		50	ns
JTCLK to JTDO HIZ Delay	t7		2		50	ns
$\overline{\text{JTRST}}$ Width Low Time	t8		100			ns

**Note 1:** Clock can be stopped high or low.

**Figure 11-15. JTAG Interface Timing Diagram**



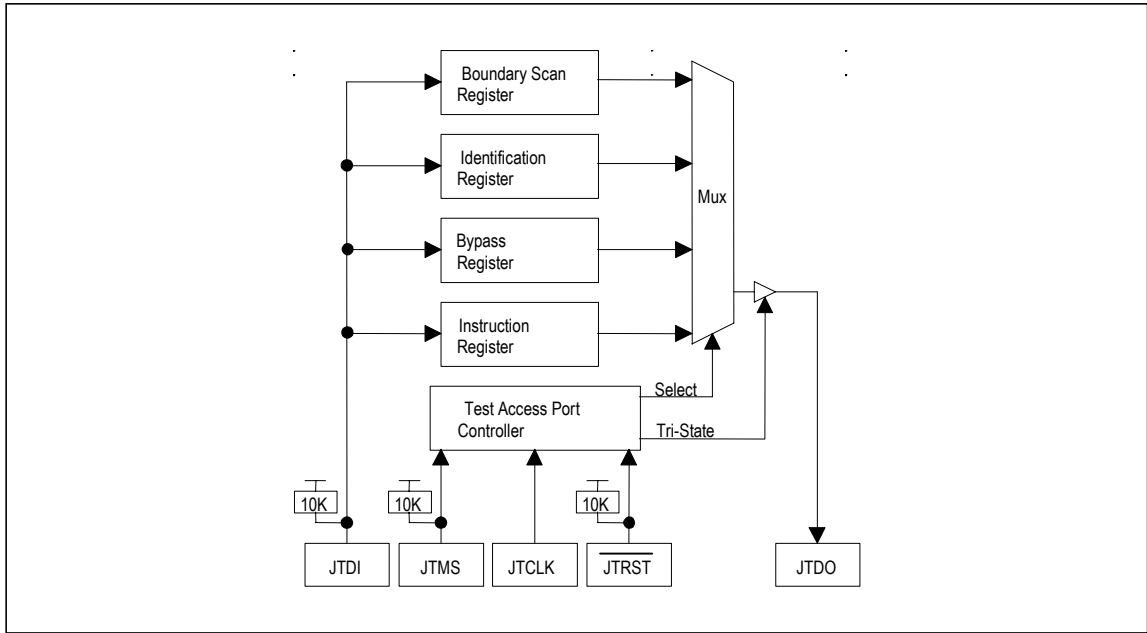
## 12 JTAG INFORMATION

The device supports the standard instruction codes SAMPLE:PRELOAD, BYPASS, and EXTEST. Optional public instructions included are HIGHZ, CLAMP, and IDCODE. See Table 20-1. The device contains the following as required by IEEE 1149.1 Standard Test Access Port and Boundary Scan Architecture.

- Test Access Port (TAP)
- TAP Controller
- Instruction Register
- Bypass Register
- Boundary Scan Register
- Device Identification Register

The Test Access Port has the necessary interface pins;  $\overline{\text{JTRST}}$ , JTCLK, JTMS, JTDI, and JTDO. See the pin descriptions for details. Refer to IEEE 1149.1-1990, IEEE 1149.1a-1993, and IEEE 1149.1b-1994 for details about the Boundary Scan Architecture and the Test Access Port.

Figure 12-1: JTAG Functional Block Diagram



### 12.1 JTAG TAP Controller State Machine Description

This section covers the details on the operation of the Test Access Port (TAP) Controller State Machine. The TAP controller is a finite state machine that responds to the logic level at JTMS on the rising edge of JTCLK.

## TAP Controller State Machine

The TAP controller is a finite state machine that responds to the logic level at JTMS on the rising edge of JTCLK. See Figure 12-2 for a diagram of the state machine operation.

### Test-Logic-Reset

Upon power up, the TAP Controller is in the Test-Logic-Reset state. The Instruction register will contain the IDCODE instruction. All system logic of the device will operate normally.

### Run-Test-Idle

The Run-Test-Idle is used between scan operations or during specific tests. The Instruction register and test registers will remain idle.

### Select-DR-Scan

All test registers retain their previous state. With JTMS LOW, a rising edge of JTCLK moves the controller into the Capture-DR state and will initiate a scan sequence. JTMS HIGH during a rising edge on JTCLK moves the controller to the Select-IR-Scan state.

### Capture-DR

Data may be parallel-loaded into the test data registers selected by the current instruction. If the instruction does not call for a parallel load or the selected register does not allow parallel loads, the test register will remain at its current value. On the rising edge of JTCLK, the controller will go to the Shift-DR state if JTMS is LOW or it will go to the Exit1-DR state if JTMS is HIGH.

### Shift-DR

The test data register selected by the current instruction is connected between JTDI and JTDO and will shift data one stage towards its serial output on each rising edge of JTCLK. If a test register selected by the current instruction is not placed in the serial path, it will maintain its previous state.

### Exit1-DR

While in this state, a rising edge on JTCLK will put the controller in the Update-DR state, which terminates the scanning process, if JTMS is HIGH. A rising edge on JTCLK with JTMS LOW will put the controller in the Pause-DR state.

### Pause-DR

Shifting of the test registers is halted while in this state. All test registers selected by the current instruction will retain their previous state. The controller will remain in this state while JTMS is LOW. A rising edge on JTCLK with JTMS HIGH will put the controller in the Exit2-DR state.

### Exit2-DR

A rising edge on JTCLK with JTMS HIGH while in this state will put the controller in the Update-DR state and terminate the scanning process. A rising edge on JTCLK with JTMS LOW will enter the Shift-DR state.

**Update-DR**

A falling edge on JTCLK while in the Update-DR state will latch the data from the shift register path of the test registers into the data output latches. This prevents changes at the parallel output due to changes in the shift register.

**Select-IR-Scan**

All test registers retain their previous state. The instruction register will remain unchanged during this state. With JTMS LOW, a rising edge on JTCLK moves the controller into the Capture-IR state and will initiate a scan sequence for the instruction register. JTMS HIGH during a rising edge on JTCLK puts the controller back into the Test-Logic-Reset state.

**Capture-IR**

The Capture-IR state is used to load the shift register in the instruction register with a fixed value. This value is loaded on the rising edge of JTCLK. If JTMS is HIGH on the rising edge of JTCLK, the controller will enter the Exit1-IR state. If JTMS is LOW on the rising edge of JTCLK, the controller will enter the Shift-IR state.

**Shift-IR**

In this state, the shift register in the instruction register is connected between JTDI and JTDO and shifts data one stage for every rising edge of JTCLK towards the serial output. The parallel register, as well as all test registers, remains at their previous states. A rising edge on JTCLK with JTMS HIGH will move the controller to the Exit1-IR state. A rising edge on JTCLK with JTMS LOW will keep the controller in the Shift-IR state while moving data one stage through the instruction shift register.

**Exit1-IR**

A rising edge on JTCLK with JTMS LOW will put the controller in the Pause-IR state. If JTMS is HIGH on the rising edge of JTCLK, the controller will enter the Update-IR state and terminate the scanning process.

**Pause-IR**

Shifting of the instruction shift register is halted temporarily. With JTMS HIGH, a rising edge on JTCLK will put the controller in the Exit2-IR state. The controller will remain in the Pause-IR state if JTMS is LOW during a rising edge on JTCLK.

**Exit2-IR**

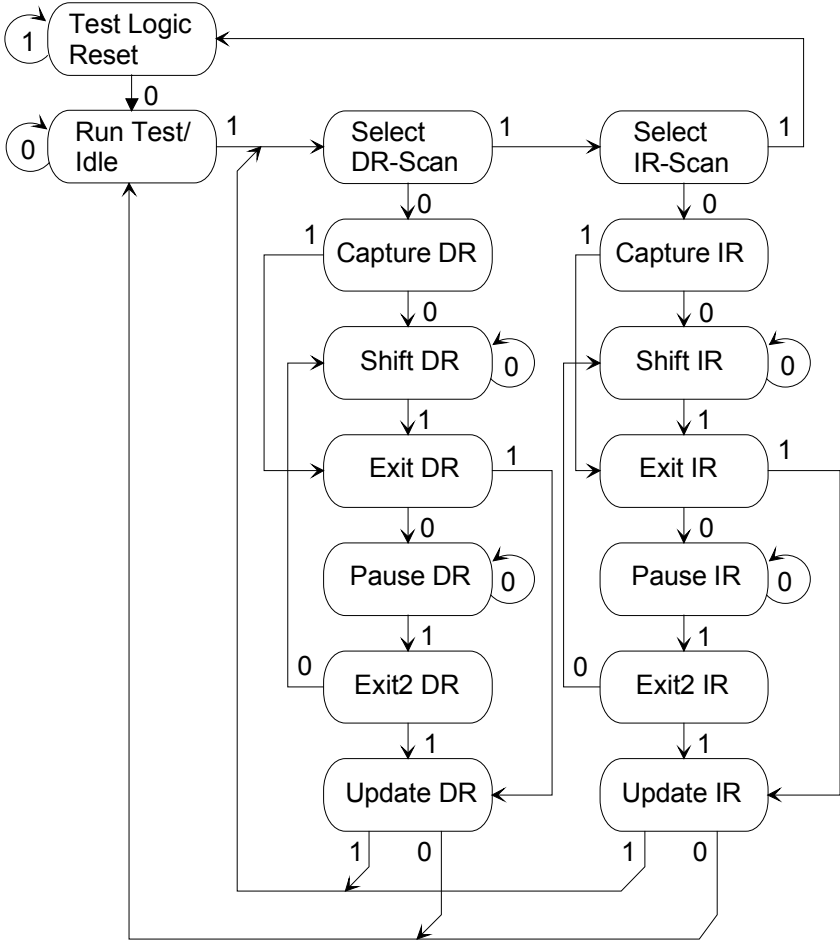
A rising edge on JTCLK with JTMS LOW will put the controller in the Update-IR state. The controller will loop back to Shift-IR if JTMS is HIGH during a rising edge of JTCLK in this state.

**Update-IR**

The instruction code shifted into the instruction shift register is latched into the parallel output on the falling edge of JTCLK as the controller enters this state. Once latched, this instruction becomes the current instruction. A rising edge on JTCLK with JTMS held low will put the controller in the Run-Test-Idle state. With JTMS HIGH, the controller will enter the Select-DR-Scan state.



Figure 12-2: Tap Controller State Diagram



### 12.2 Instruction Register

The instruction register contains a shift register as well as a latched parallel output and is 3 bits in length. When the TAP controller enters the Shift-IR state, the instruction shift register is connected between JTDI and JTDO. While in the Shift-IR state, a rising edge on JTCLK with JTMS LOW will shift the data one stage towards the serial output at JTDO. A rising edge on JTCLK in the Exit1-IR state or the Exit2-IR state with JTMS HIGH will move the controller to the Update-IR state. The falling edge of that same JTCLK will latch the data in the instruction shift register to the instruction parallel output. Instructions supported by the device and its respective operational binary codes are shown in Table 20-1.

**Table 12-1 Instruction Codes for IEEE 1149.1 Architecture**

Instruction	Selected Register	Instruction Codes
SAMPLE:PRELOAD	Boundary Scan	010
BYPASS	Bypass	111
EXTEST	Boundary Scan	000
CLAMP	Bypass	011
HIGHZ	Bypass	100
IDCODE	Device Identification	001

**12.2.1 SAMPLE:PRELOAD**

This is a mandatory instruction for the IEEE 1149.1 specification. This instruction supports two functions. The digital I/Os of the device can be sampled at the boundary scan register without interfering with the normal operation of the device by using the Capture-DR state. SAMPLE:PRELOAD also allows the device to shift data into the boundary scan register via JTDI using the Shift-DR state.

**12.2.2 BYPASS**

When the BYPASS instruction is latched into the parallel instruction register, JTDI connects to JTDO through the one-bit bypass test register. This allows data to pass from JTDI to JTDO not affecting the device's normal operation.

**12.2.3 EXTEST**

This allows testing of all interconnections to the device. When the EXTEST instruction is latched in the instruction register, the following actions occur. Once enabled via the Update-IR state, the parallel outputs of all digital output pins are driven. The boundary scan register is connected between JTDI and JTDO. The Capture-DR will sample all digital inputs into the boundary scan register.

**12.2.4 CLAMP**

All digital outputs of the device will output data from the boundary scan parallel output while connecting the bypass register between JTDI and JTDO. The outputs will not change during the CLAMP instruction.

**12.2.5 HIGHZ**

All digital outputs of the device are placed in a high impedance state. The BYPASS register is connected between JTDI and JTDO.

**12.2.6 IDCODE**

When the IDCODE instruction is latched into the parallel instruction register, the identification test register is selected. The device identification code is loaded into the identification register on the rising edge of JTCLK following entry into the Capture-DR state. Shift-DR can be used to shift the identification code out serially via JTDO. During Test-Logic-Reset, the identification code is forced into the instruction register's parallel output. The ID code will always have a '1' in the LSB position. The next 11 bits identify the manufacturer's JEDEC number and number of continuation bytes followed by 16 bits for the device and 4 bits for the version.

## 12.3 JTAG ID Codes

**Table 12-2 ID Code Structure**

DEVICE	REVISION ID[31:28]	DEVICE CODE ID[27:12]	MANUFACTURER'S CODE ID[11:1]	REQUIRED ID[0]
DS33Z41	0000	0000 0000 0110 0010	000 1010 0001	1

## 12.4 Test Registers

IEEE 1149.1 requires a minimum of two test registers; the bypass register and the boundary scan register. An optional test register has been included with the device design. This test register is the identification register and is used in conjunction with the IDCODE instruction and the Test-Logic-Reset state of the TAP controller.

## 12.5 Boundary Scan Register

This register contains both a shift register path and a latched parallel output for all control cells and digital I/O cells and is n bits in length. See Table 20-3 for cell bit locations and definitions.

## 12.6 Bypass Register

This is a single one-bit shift register used in conjunction with the BYPASS, CLAMP, and HIGHZ instructions, which provides a short path between JTDI and JTDO.

## 12.7 Identification Register

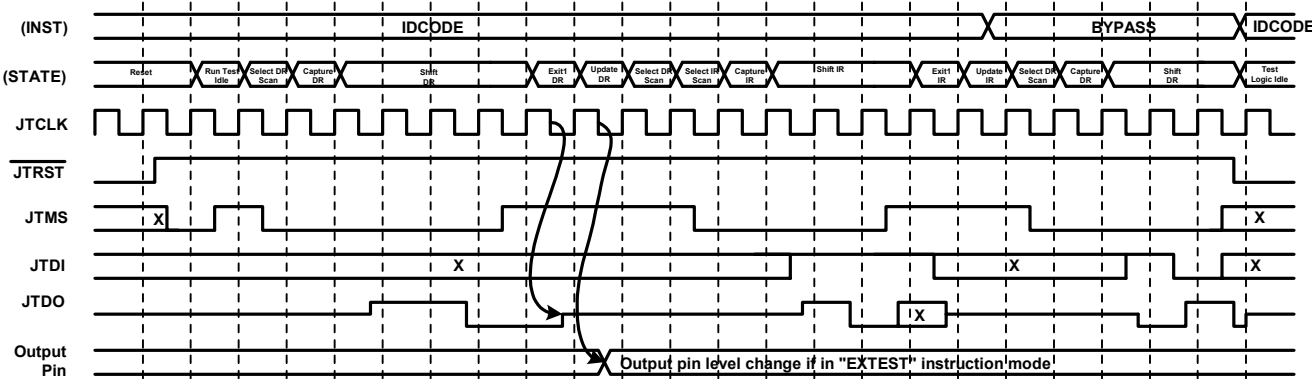
The identification register contains a 32-bit shift register and a 32-bit latched parallel output. This register is selected during the IDCODE instruction and when the TAP controller is in the Test-Logic-Reset state.

### 12.8 JTAG Functional Timing

This functional timing for the JTAG circuits shows:

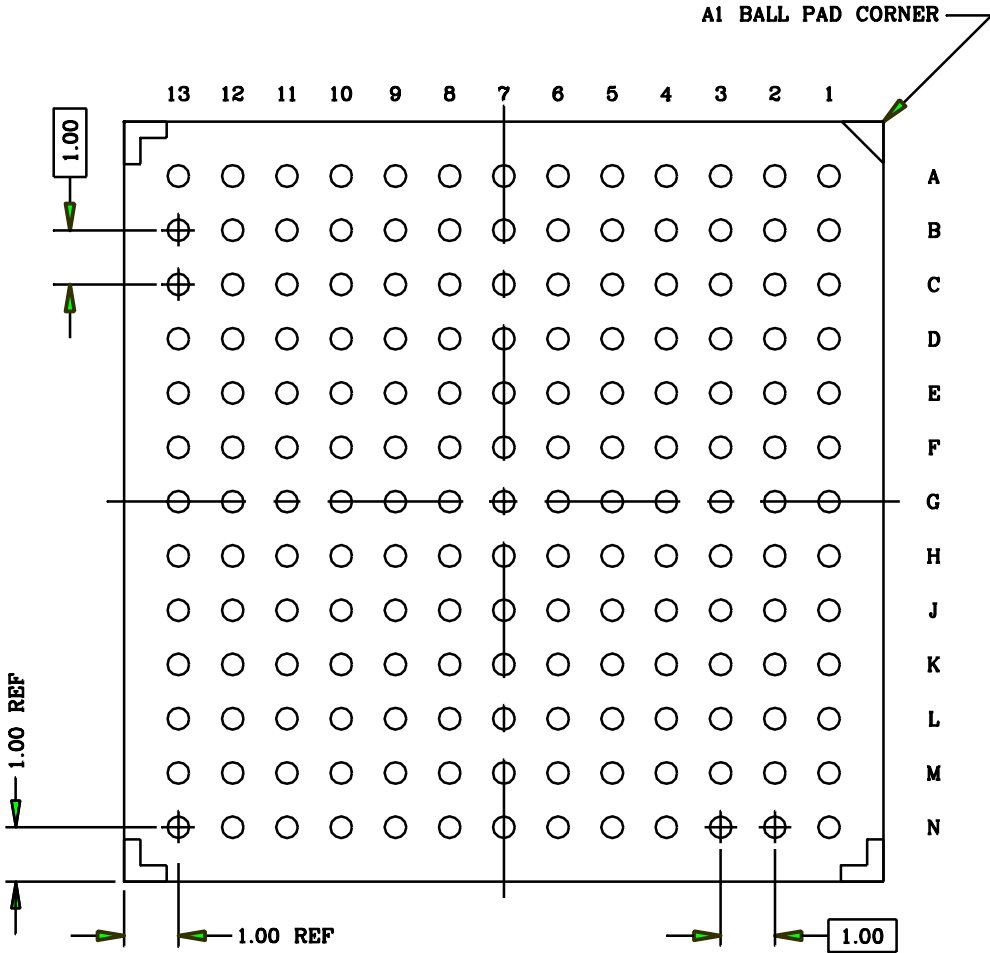
- The JTAG controller starting from reset state
- Shifting out the first 4 LSB bits of the IDCODE
- Shifting in the BYPASS instruction (111) while shifting out the mandatory X01 pattern
- Shifting the TDI pin to the TDO pin through the bypass shift register
- An asynchronous reset occurs while shifting

Figure 12-3 JTAG Functional Timing



### 13 PACKAGE INFORMATION

#### 13.1 Package Outline Drawing of 14mm 169 Ball CSBGA (view from bottom of device)



Maxim/Dallas Semiconductor cannot assume responsibility for use of any circuitry other than circuitry entirely embodied in a Maxim/Dallas Semiconductor product. No circuit patent licenses are implied. Maxim/Dallas Semiconductor reserves the right to change the circuitry and specifications without notice at any time.

Maxim Integrated Products, 120 San Gabriel Drive, Sunnyvale, CA 94086 408-737-7600

© 2005 Maxim Integrated Products • Printed USA

DALLAS SEMICONDUCTOR MAXIM are registered trademarks of Maxim Integrated Products, Inc., and Dallas Semiconductor Corporation.